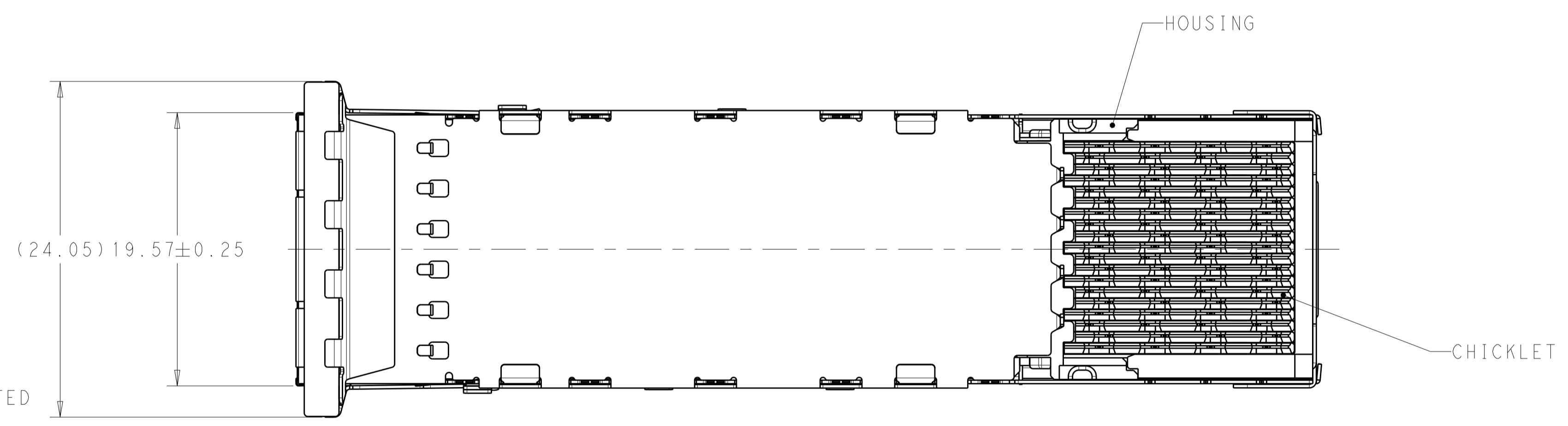
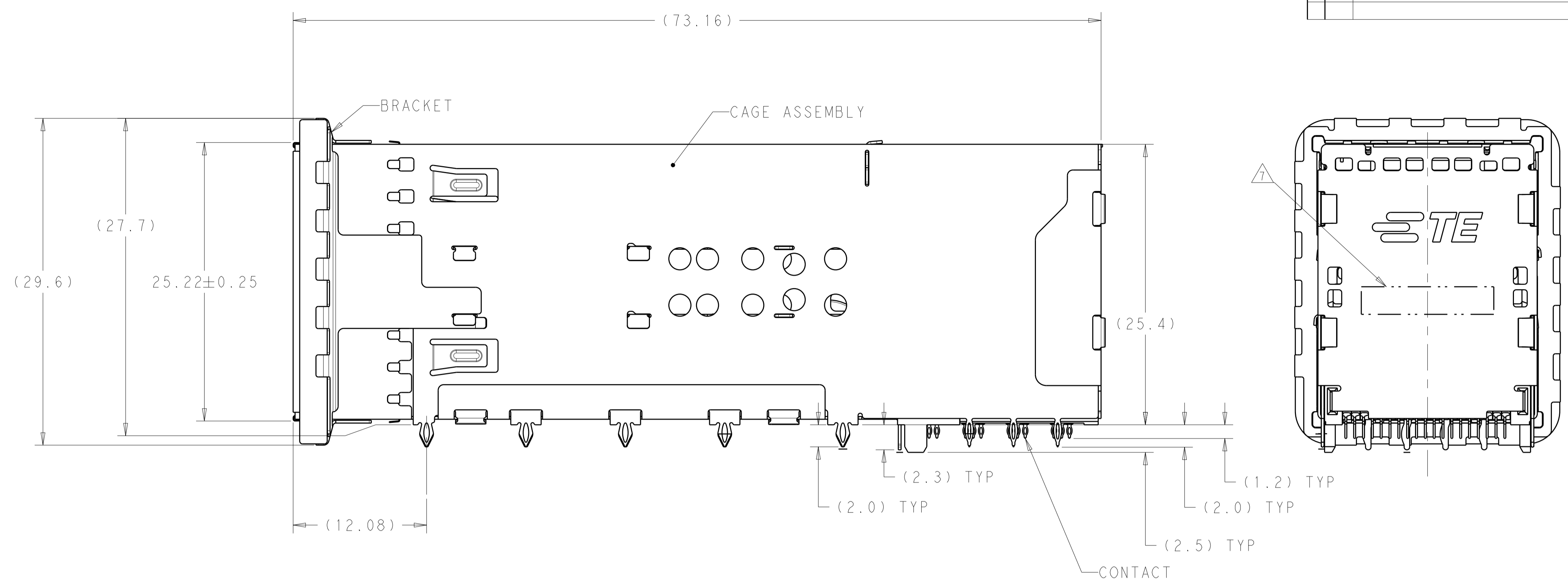
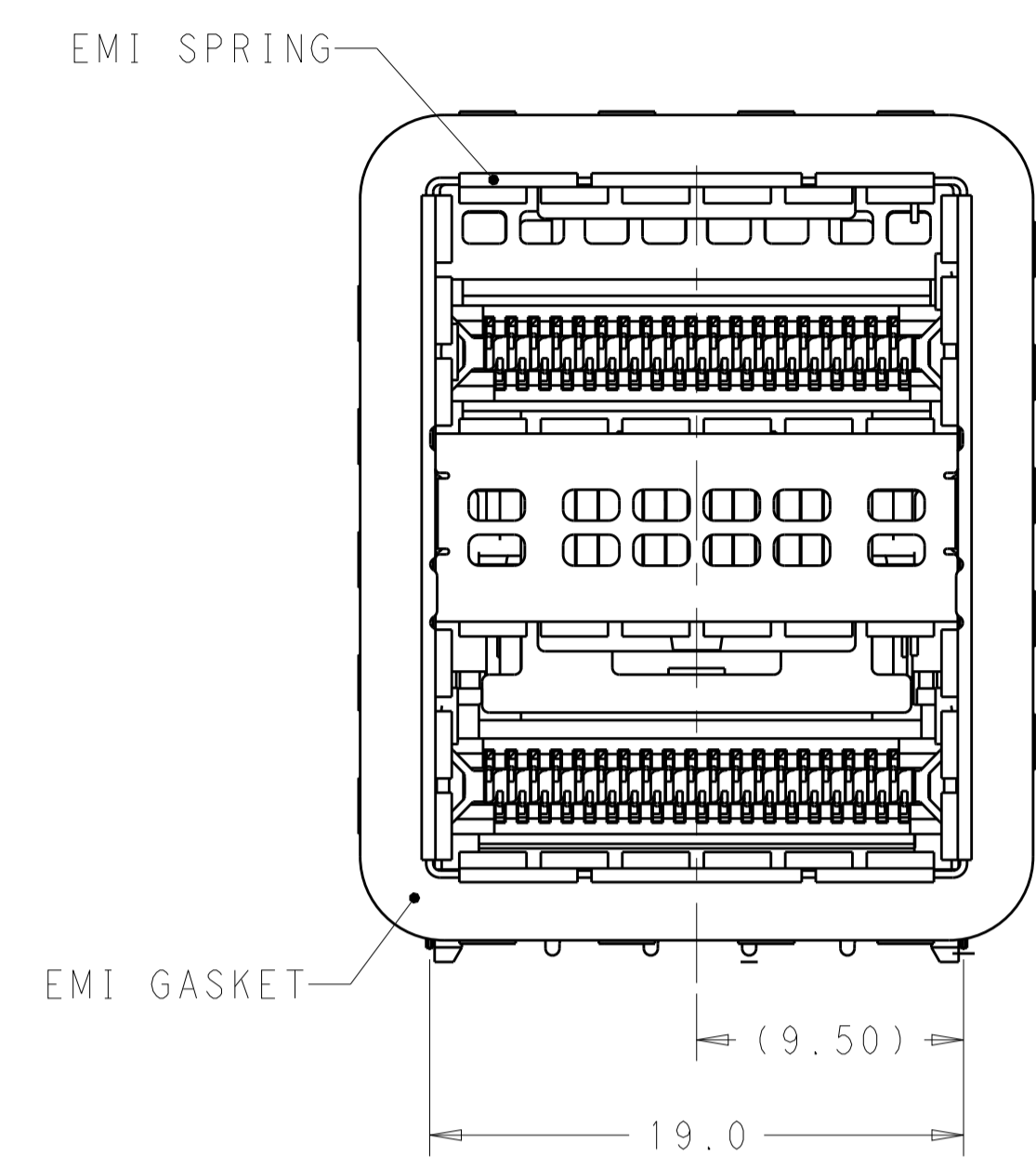


LOC	DIST	REVISIONS					
GP	00	P	LTN	DESCRIPTION	DATE	DWN	APVD
		A		RELEASED FOR PRODUCTION	02MAR2016	TX	SH



1. MATERIALS:
 CAGE ASSEMBLY- NICKEL SILVER ALLOY PER ASTM B 122.
 BRACKET- STAINLESS STEEL.
 EMI SPRING- COPPER ALLOY, NICKEL PLATED.
 EMI GASKET- PLATED FILLED SILICONE.
 HOUSING- POLYESTER LCP WITH 94V-0.
 CHICKLET- POLYESTER LCP WITH 94V-0.
 CONTACT- COPPER ALLOY.
 LIGHTPIPE- POLYCARBONATE WITH 94V-0.

2. CONTACT FINISH: 0.76µm GOLD ON MATING END, 1.25µm TIN ON SOLDER TAIL, ALL OVER 1.27µm NICKEL.
 3. DATUM AND BASIC DIMENSION ESTABLISHED BY CUSTOMER.
 4. MINIMUM PCB THICKNESS OF 1.57.
 5. THE ENTIRE AREA OF THE CONNECTOR FOOTPRINT, INDICATED BY THE DASHED LINE, TO BE CONSIDERED THE KEEPOUT AREA FOR COMPONENTS.
 6. CROSS-HATCHED AREAS REPRESENT ZONES ON THE PCB THAT COME IN CONTACT WITH OR BE IN CLOSE PROXIMITY TO THE PLASTIC HOUSING OR THE CONNECTOR CAGE. INDICATED AREAS TO BE CONSIDERED TRACE FREE.
 7. PART NUMBER AND DATE CODE MARKED IN APPROXIMATE AREA SHOWN.
 8. THESE HOLES ARE OPTIONAL WHEN PINS ON BACK OF GAGE ARE REMOVED.
 9. HATCHED AREA IS PLACEMENT ZONE FOR LED. LED SHOULD BE CENTERED WITHIN ZONE. RECOMMEND 0805 PACKAGE.
 10. CONTACT FINISH: 0.08µm MINIMUM GOLD OVER 0.68µm PALLADIUM-NICKEL ON MATING END, 1.25µm MATT TIN ON SOLDER TAIL, ALL OVER 1.27µm NICKEL.

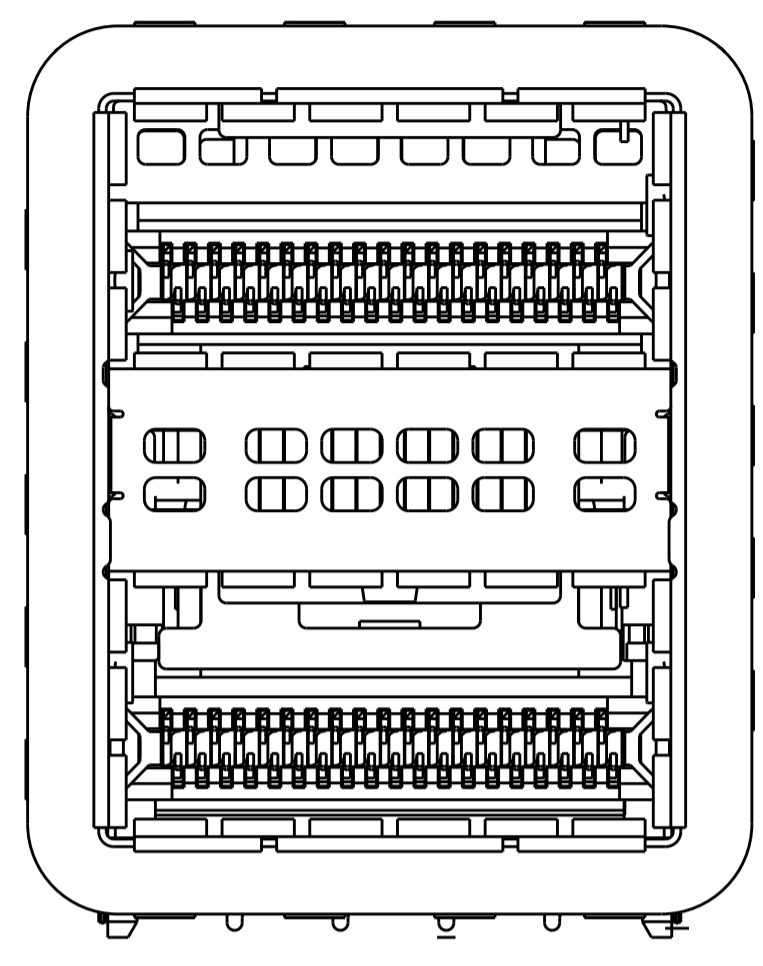
CONTACT FINISH	DESCRIPTION	PART NUMBER
10	LEFT INDICATOR DOWN	2227224-6
10	LEFT INDICATOR UP	2227224-5
10	NO LIGHTPIPE	2227224-4
2	LEFT INDICATOR DOWN	2227224-3
2	LEFT INDICATOR UP	2227224-2
2	NO LIGHTPIPE	2227224-1

THIS DRAWING IS A CONTROLLED DOCUMENT. DIMENSIONING AND TOLERANCING PER ASME Y14.5M-2009

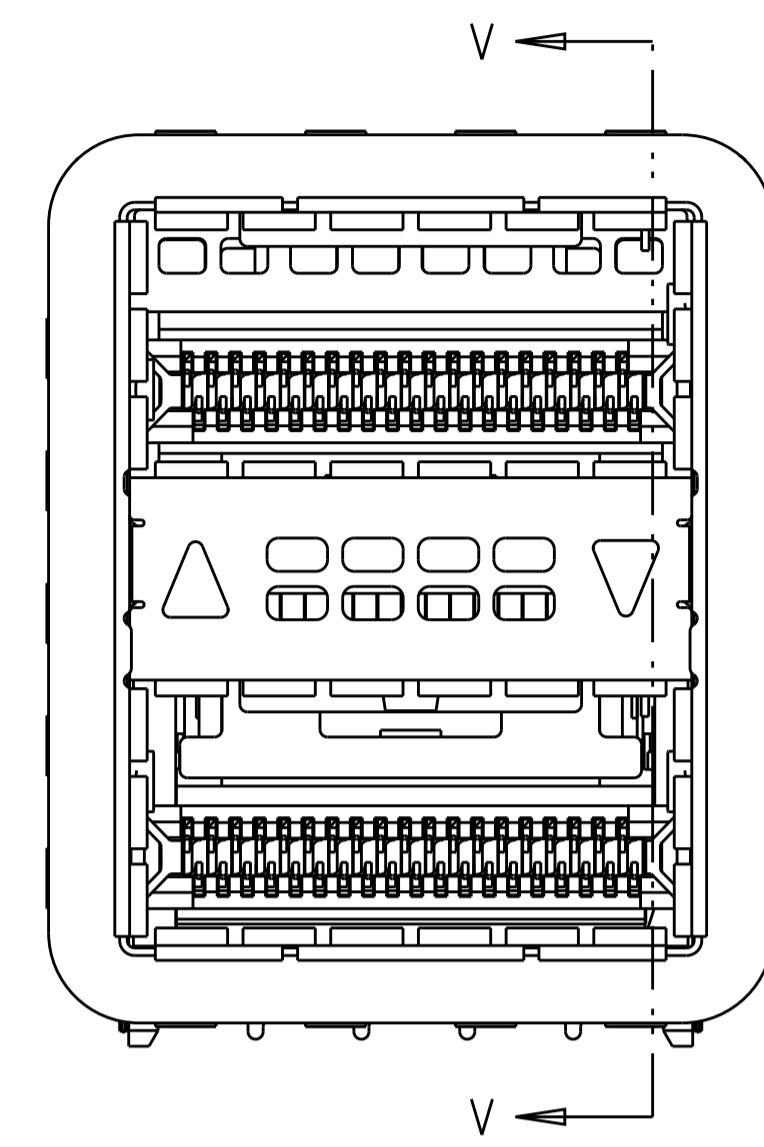
DIMENSIONS:	TOLERANCES UNLESS OTHERWISE SPECIFIED:	DWN: M. SHIRK 14AUG2012	CHK: D. SZCZESNY 14AUG2011
mm	0 PLC ±0.25	APVD:	NAME:
	1 PLC ±0.15	PRODUCT SPEC:	108-60102
	2 PLC ±	APPLICATION SPEC:	114-60015
	3 PLC ±	WEIGHT:	
	4 PLC ±	CUSTOMER DRAWING:	
	ANGLES ±	SCALE:	4:1
	FINISH:	SHEET:	1 OF 4
SEE NOTE 1		REV:	A

STE TE Connectivity
 CAGE AND CONNECTOR ASSEMBLY, WITH EMI GASKET, 2X1, ZQSFP+ STACKED
 A100779C=2227224

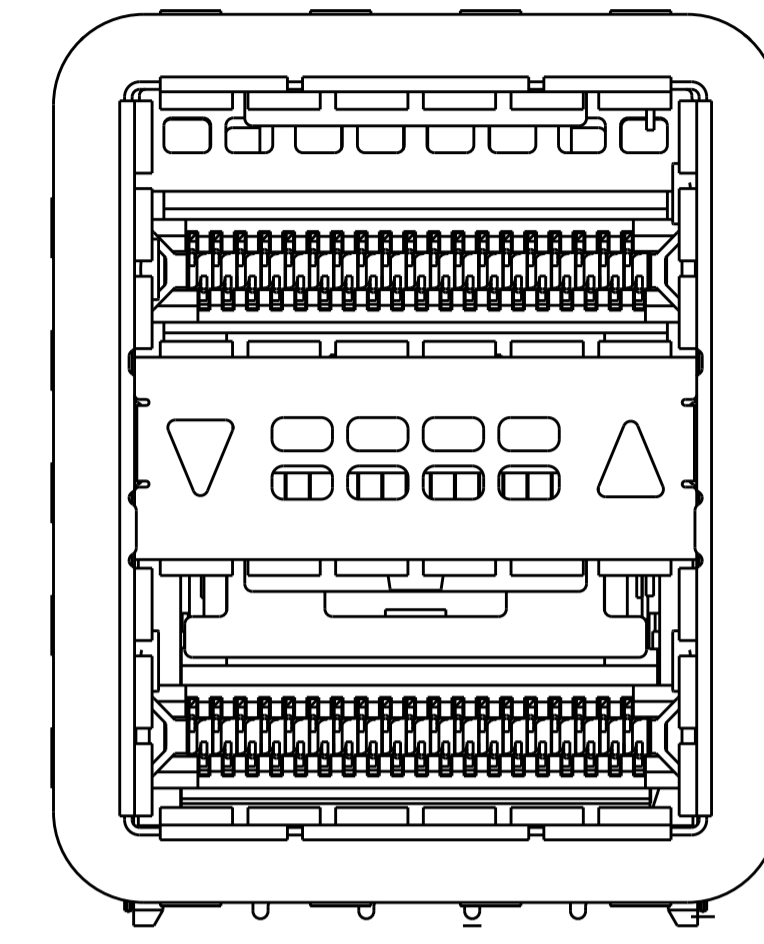
LOC	DIST	REVISIONS			
P	LTR	DESCRIPTION	DATE	DWN	APVD
-	-	SEE SHEET 1	-	-	-



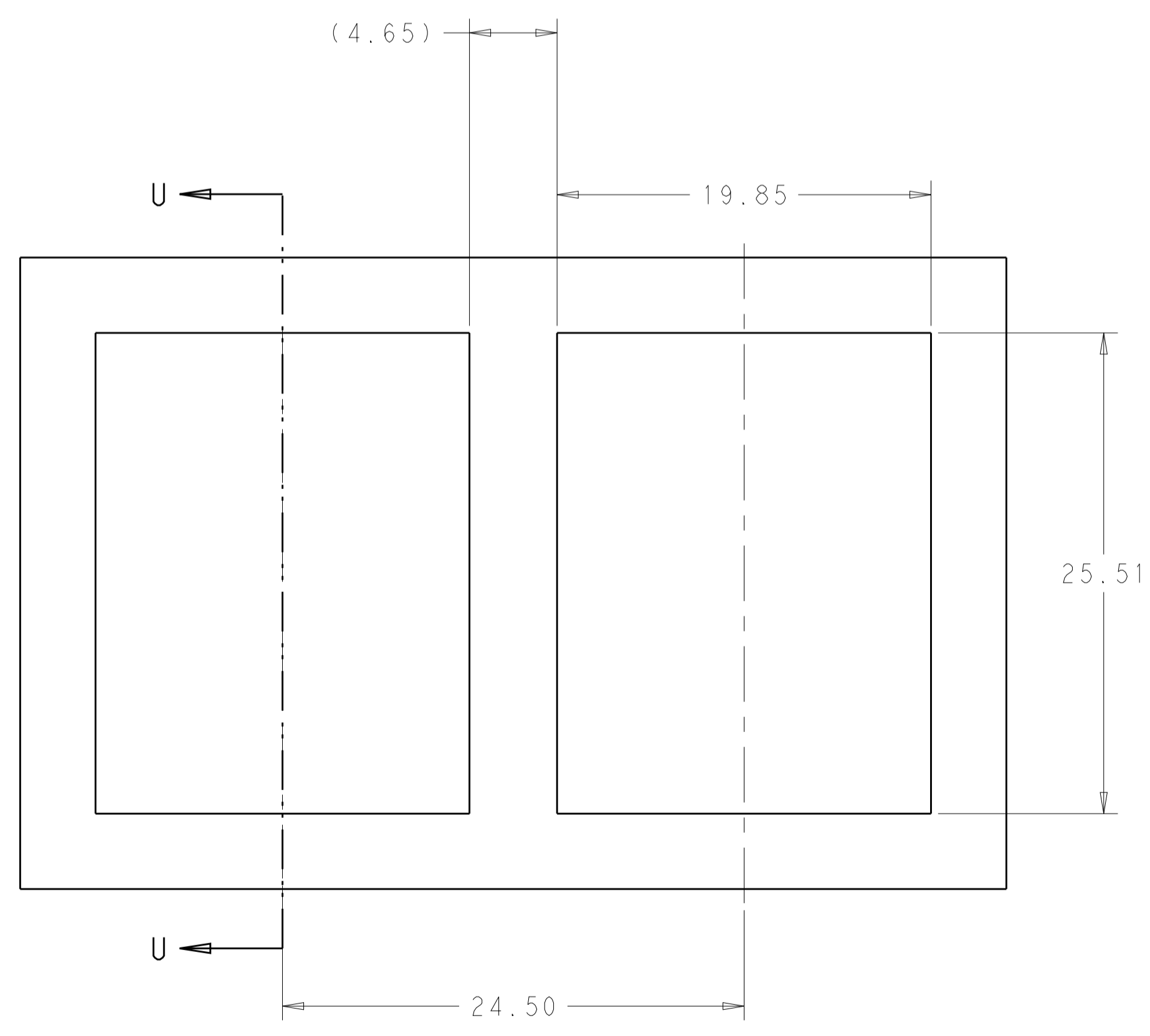
2227224-1 / 2227224-4
NO LIGHTPIPE IN ASSEMBLY



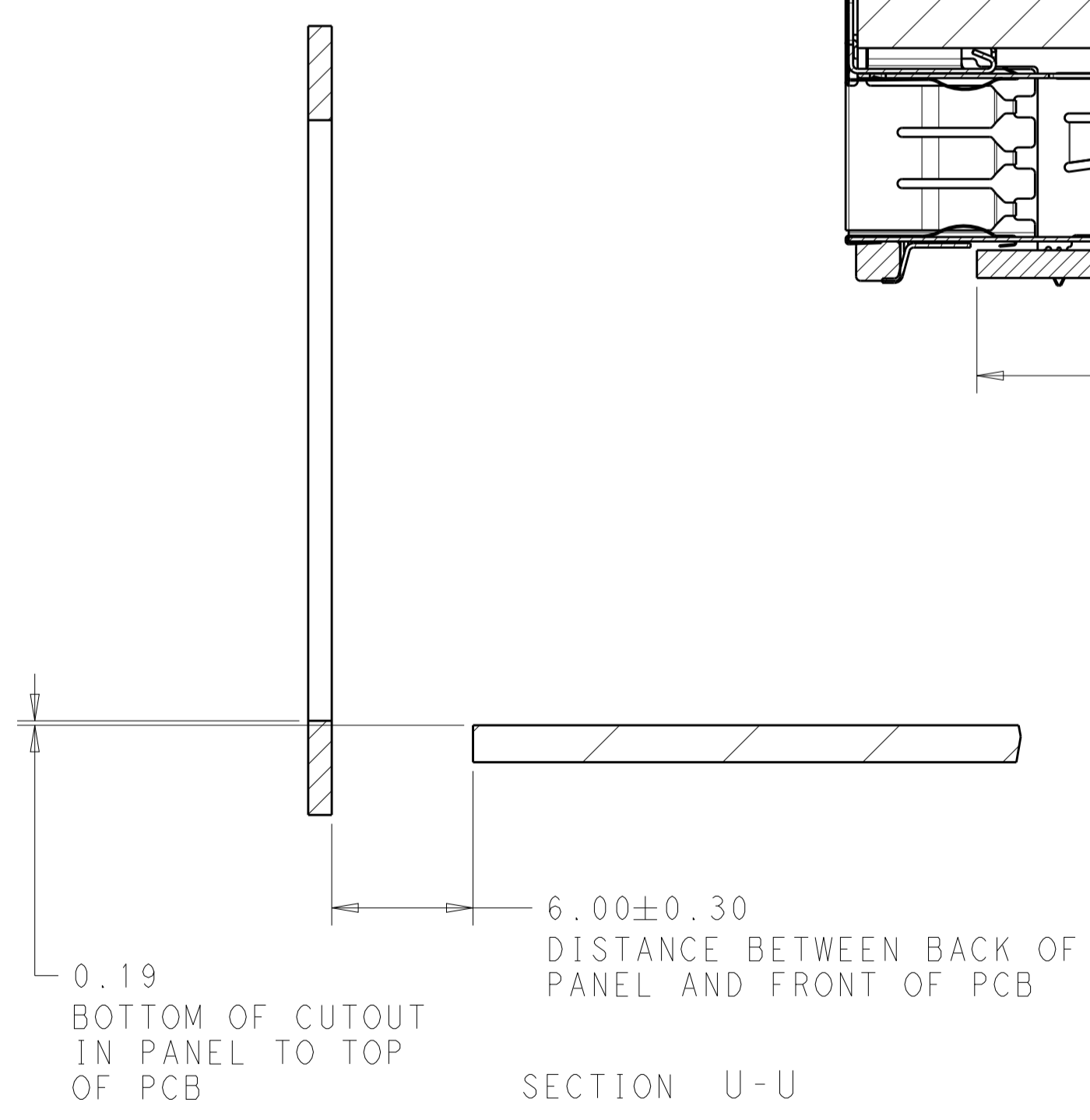
2227224-2 / 2227224-5
LEFT LIGHTPIPE INDICATOR
POINTING TO UPPER PORT



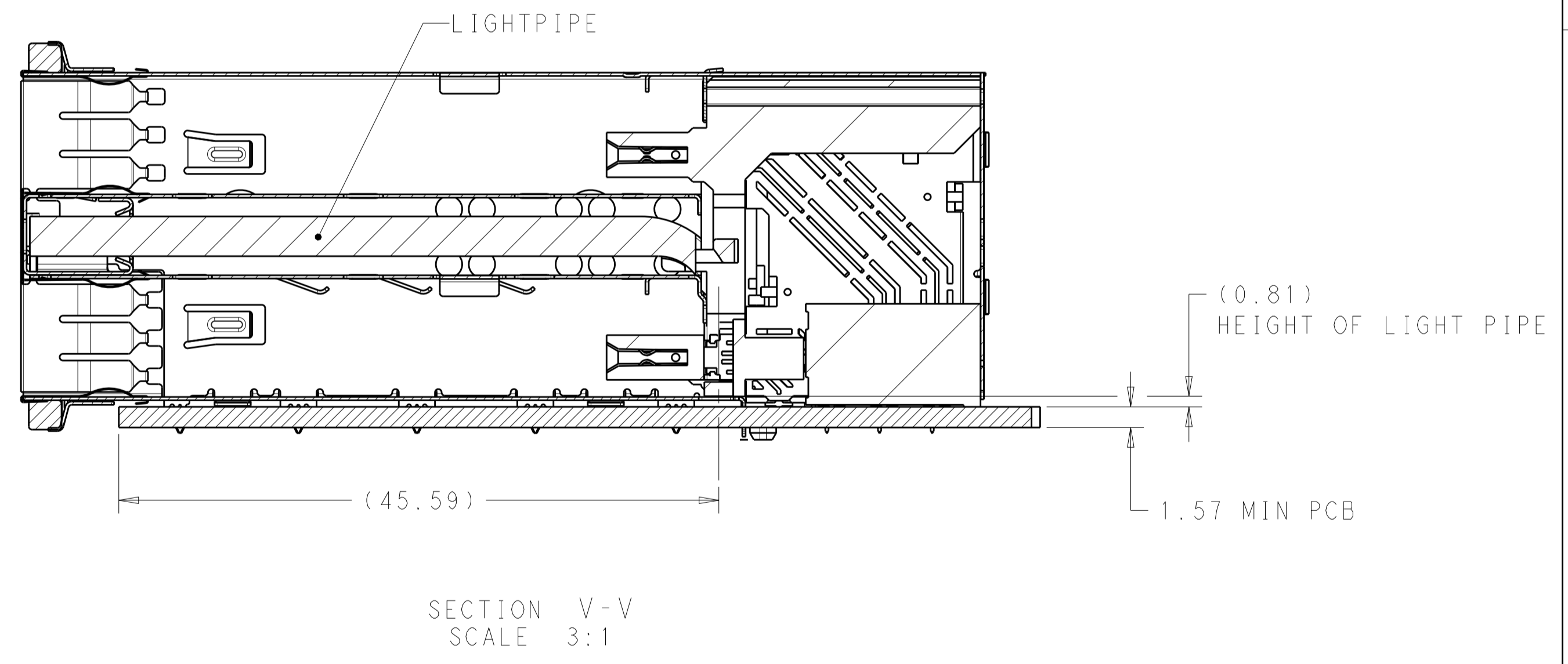
2227224-3 / 2227224-6
LEFT LIGHTPIPE INDICATOR
POINTING TO LOWER PORT



RECOMMENDED PANEL CUTOUT
AND PC BOARD, PANEL POSITION



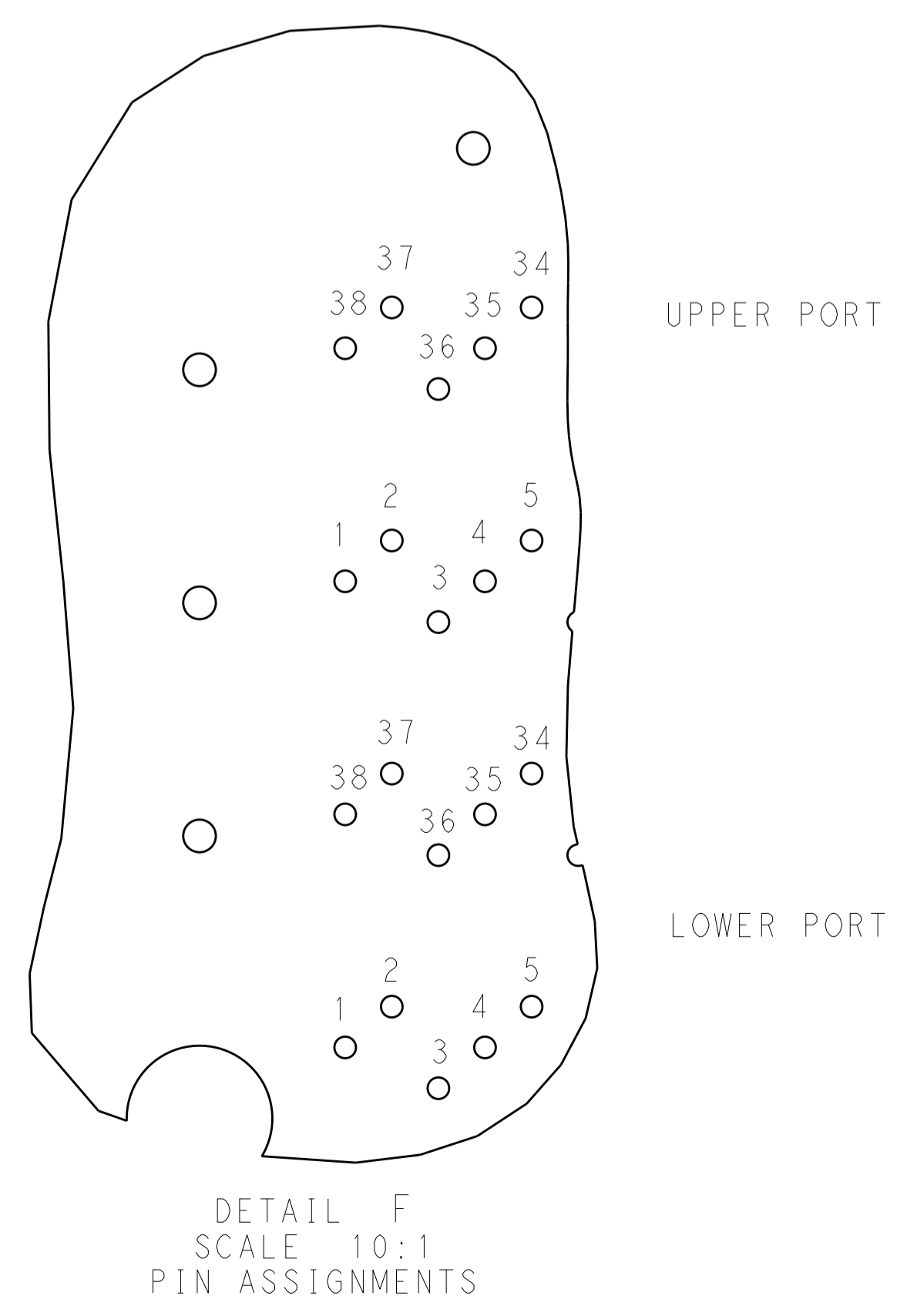
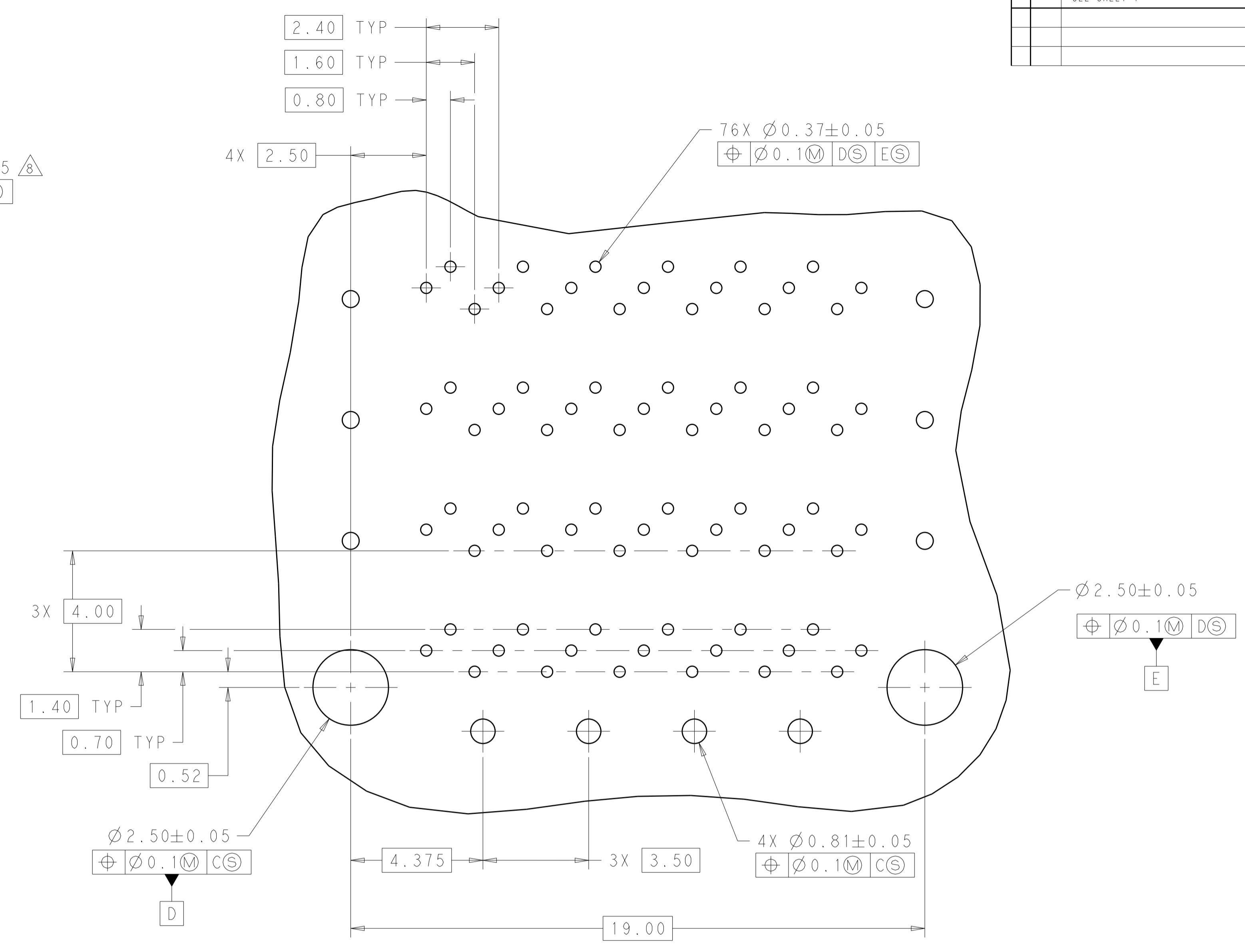
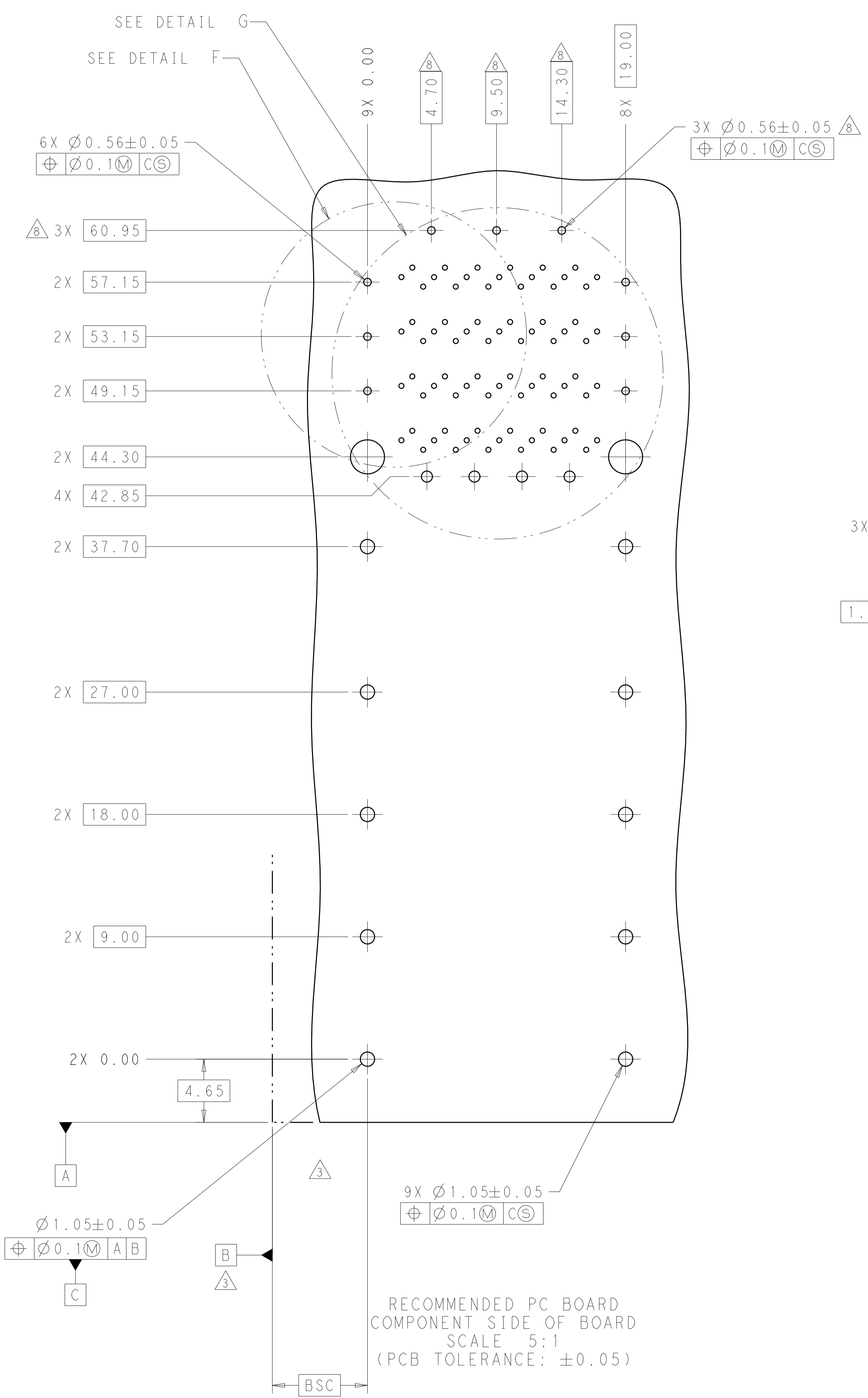
SECTION U-U



SECTION V-V
SCALE 3:1

THIS DRAWING IS A CONTROLLED DOCUMENT. DIMENSIONING AND TOLERANCING PER ASME Y14.5M-2009		DWN: M. SHIRK 14AUG2012 CHK: D. SZCZESNY 14AUG2011	TE Connectivity NAME: CAGE AND CONNECTOR ASSEMBLY, WITH EMI GASKET, 2X1, ZQSFP+ STACKED PRODUCT SPEC: 108-60102 APPLICATION SPEC: 114-60015 SIZE: A100779 CAGE CODE: 2227224 DRAWING NO: 2227224	RESTRICTED TO
DIMENSIONS: mm	TOLERANCES UNLESS OTHERWISE SPECIFIED:	APVD: -		SCALE: 4:1
0 PLC ±	1 PLC ±0.25	WEIGHT: -	REV: A	
2 PLC ±0.15	3 PLC ±	CUSTOMER DRAWING		
4 PLC ±	ANGLES ±			
MATERIAL: -	FINISH: -			
SEE NOTE 1				

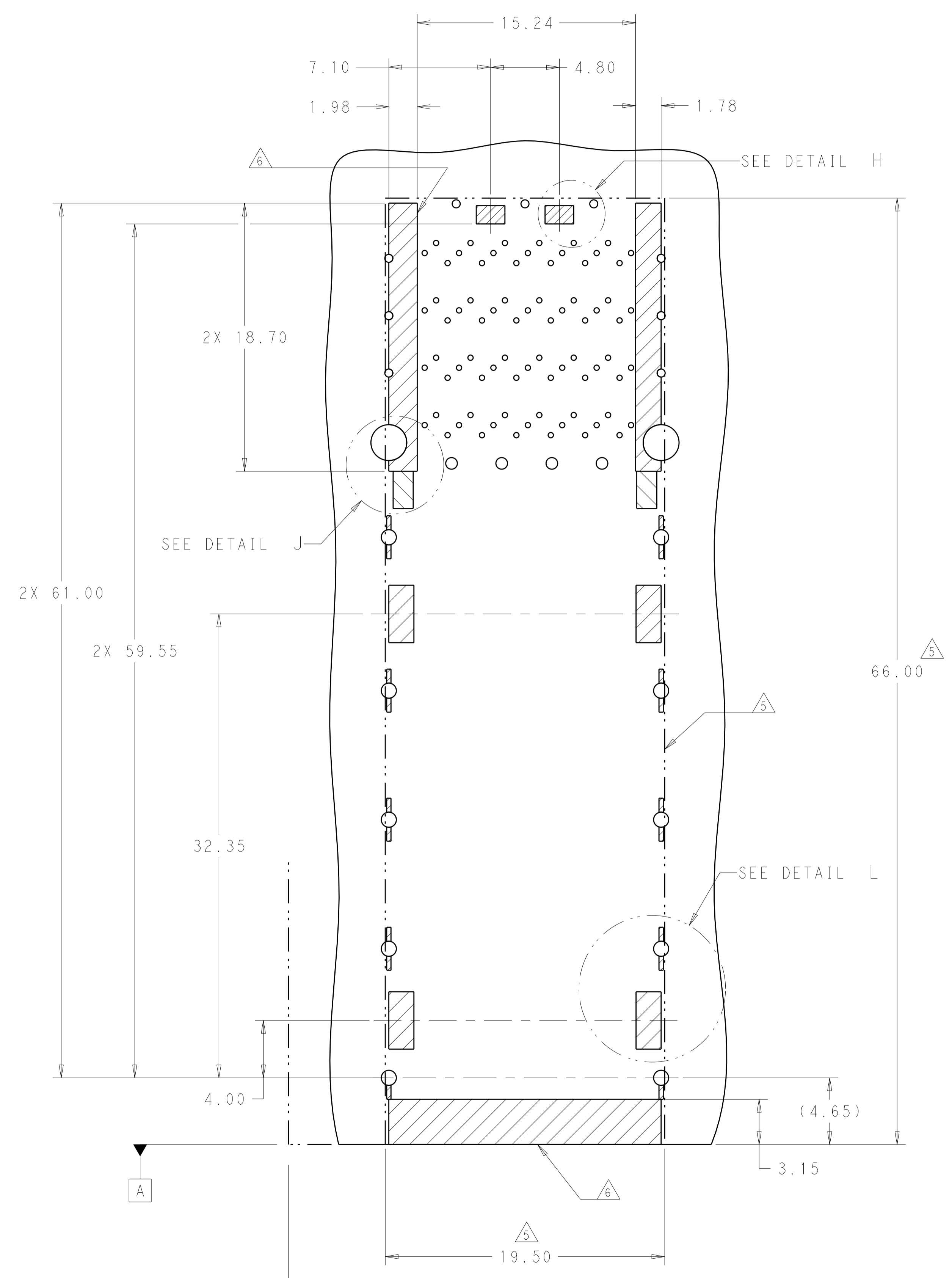
LOC		DIST		REVISIONS			
P	LTN	DESCRIPTION	DATE	DMN	APVD		
-	-	SEE SHEET 1	-	-	-		



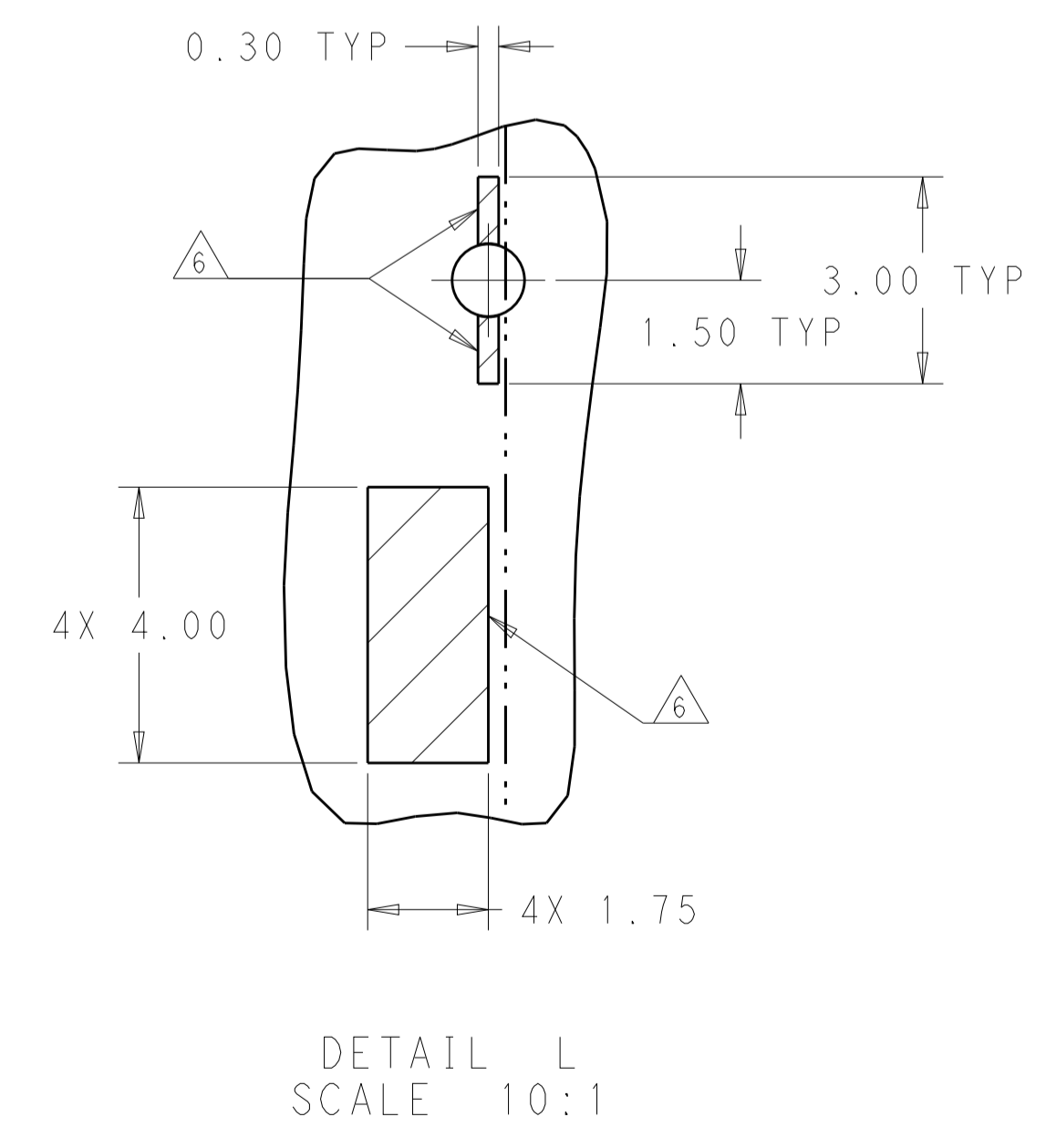
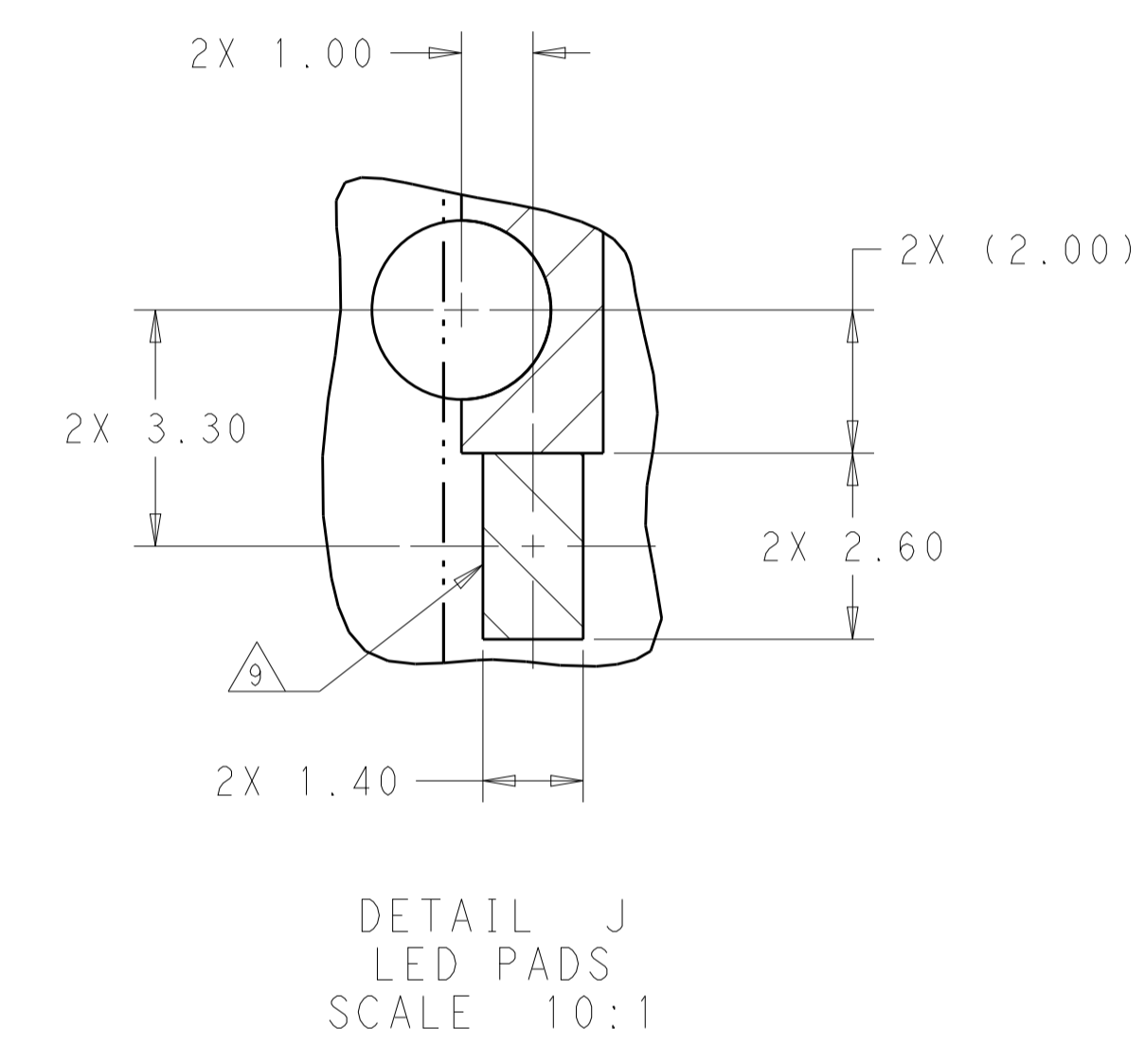
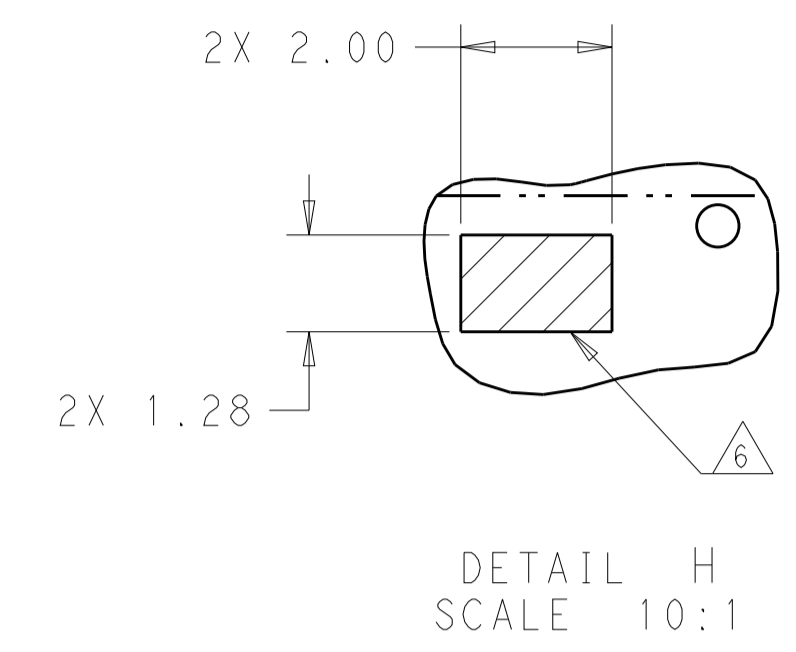
DETAIL G
 SCALE 10:1

THIS DRAWING IS A CONTROLLED DOCUMENT. DIMENSIONING AND TOLERANCING PER ASME Y14.5M-2009		DMN: M. SHIRK 14AUG2012 CHK: D. SZCZESNY 14AUG2011	NAME: CAGE AND CONNECTOR ASSEMBLY, WITH EMI GASKET, 2X1, ZQSFP+ STACKED
DIMENSIONS: mm	TOLERANCES UNLESS OTHERWISE SPECIFIED:	APVD: -	PRODUCT SPEC: 108-60102
	0 PLC \pm 1 PLC ± 0.25 2 PLC ± 0.15 3 PLC \pm 4 PLC \pm ANGLES \pm	MATERIAL: -	APPLICATION SPEC: 114-60015
SEE NOTE 1	FINISH: -	WEIGHT: -	SIZE: A100779
CUSTOMER DRAWING		SCALE: 4:1	SHEET 3 OF 4 REV A

LOC	DIST	REVISIONS			
P.	LTN	DESCRIPTION	DATE	DWN	APVD
-	-	SEE SHEET 1	-	-	-



KEEPOUT AREAS
 COMPONENT SIDE OF BOARD
 SCALE 5:1



THIS DRAWING IS A CONTROLLED DOCUMENT. DIMENSIONING AND TOLERANCING PER ASME Y14.5M-2009.		DWN: M. SHIRK 14AUG2012 CHK: D. SZCZESNY 14AUG2011	TE Connectivity	
DIMENSIONS: mm		APVD: -	NAME: CAGE AND CONNECTOR ASSEMBLY, WITH EMI GASKET, 2X1, ZQSP+ STACKED	
TOLERANCES UNLESS OTHERWISE SPECIFIED:		PRODUCT SPEC: 108-60102	SIZE: A1	
0 PLC ±0.25 1 PLC ±0.15 2 PLC ±0.15 3 PLC ±0.15 4 PLC ±0.15		APPLICATION SPEC: 114-60015	CAGE CODE: 2227224	
MATERIAL: - FINISH: -		WEIGHT: -	RESTRICTED TO: -	
SEE NOTE 1		CUSTOMER DRAWING	SCALE: 4:1 SHEET 4 OF 4 REV A	

单击下面可查看定价，库存，交付和生命周期等信息

[>>TE Connectivity\(泰科\)](#)