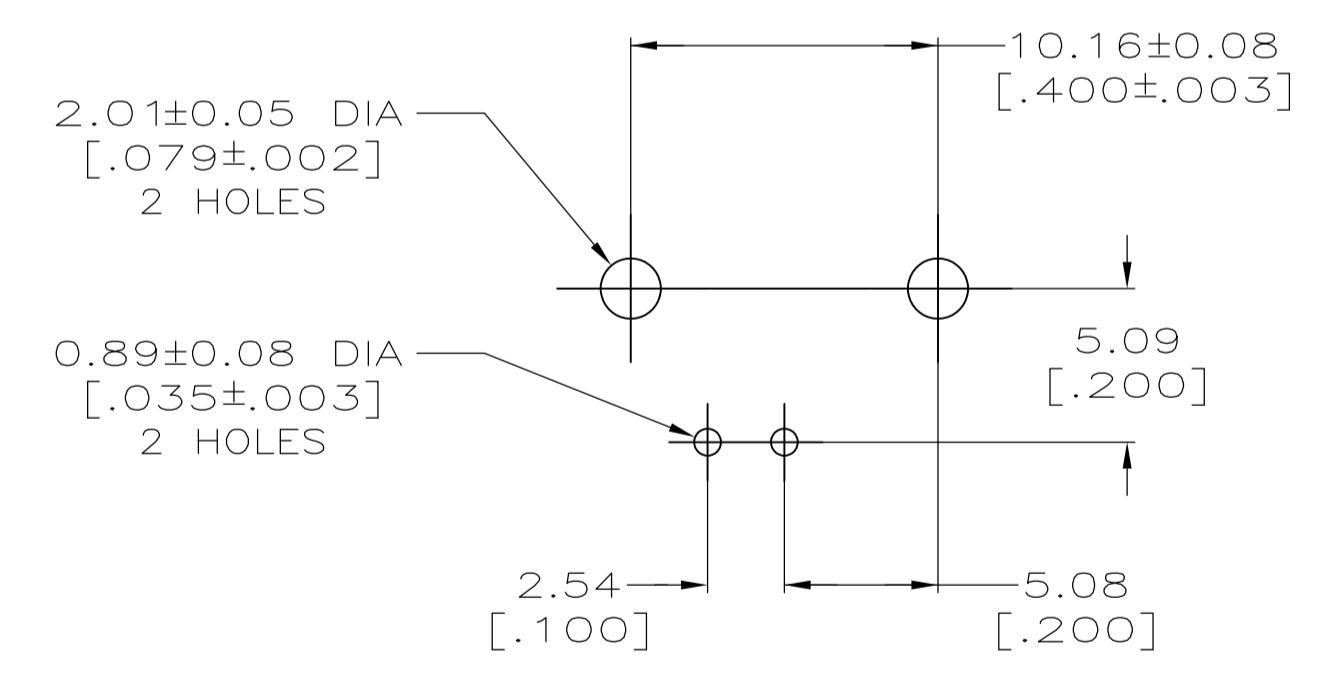
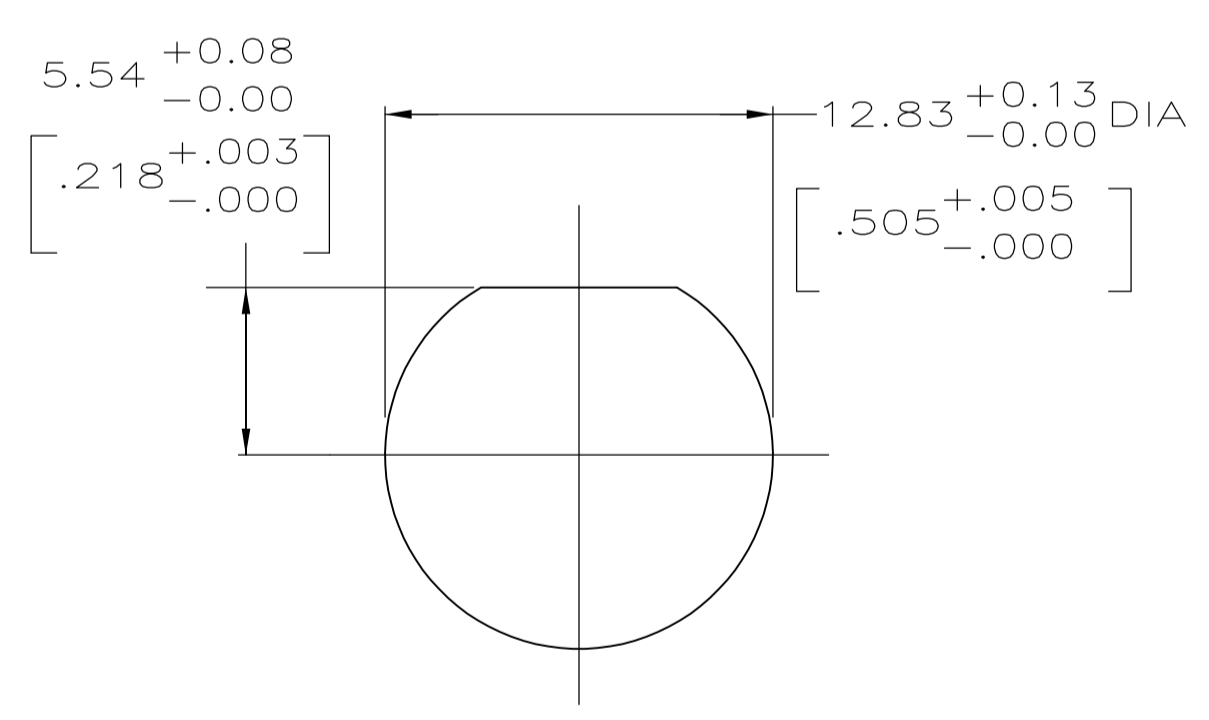
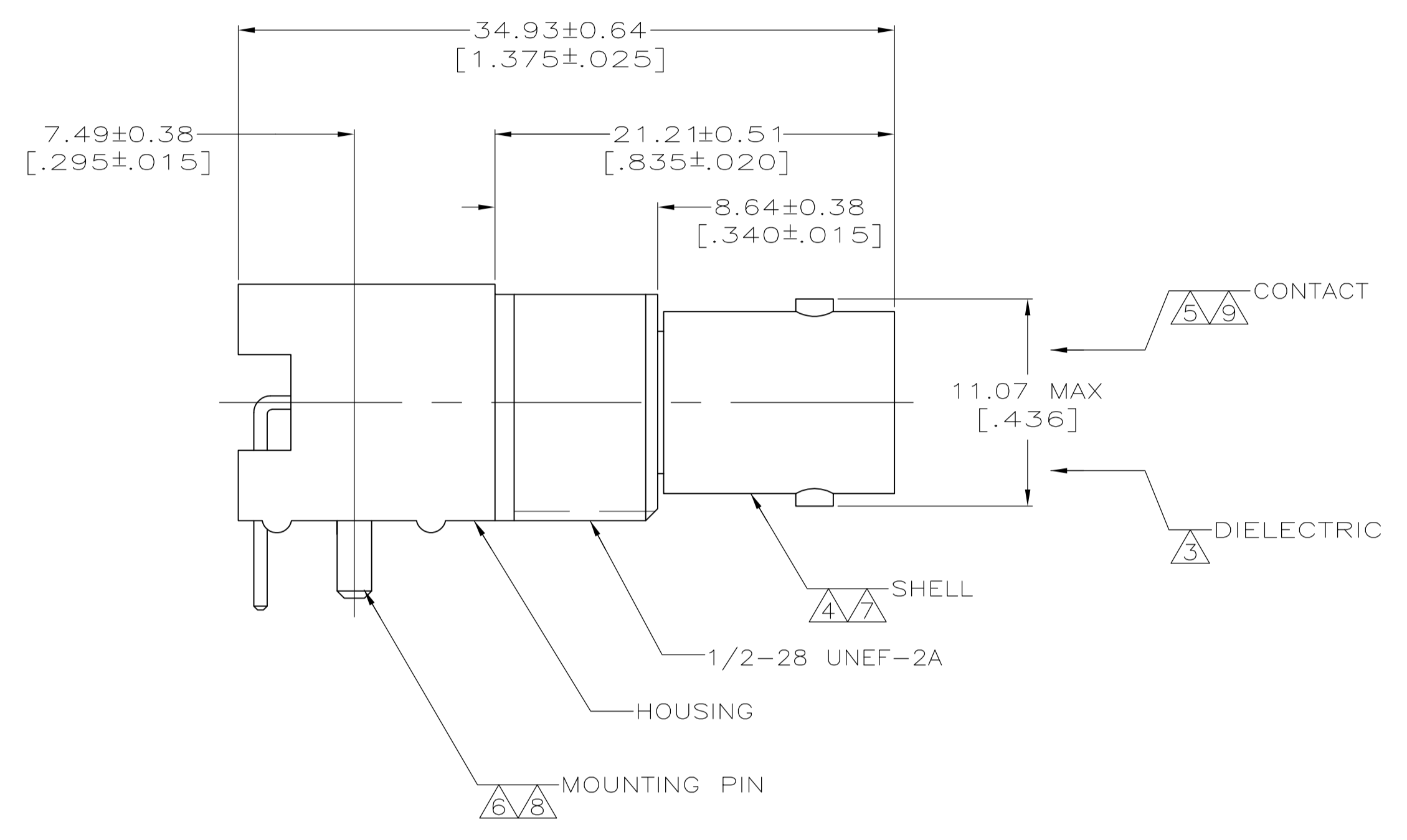
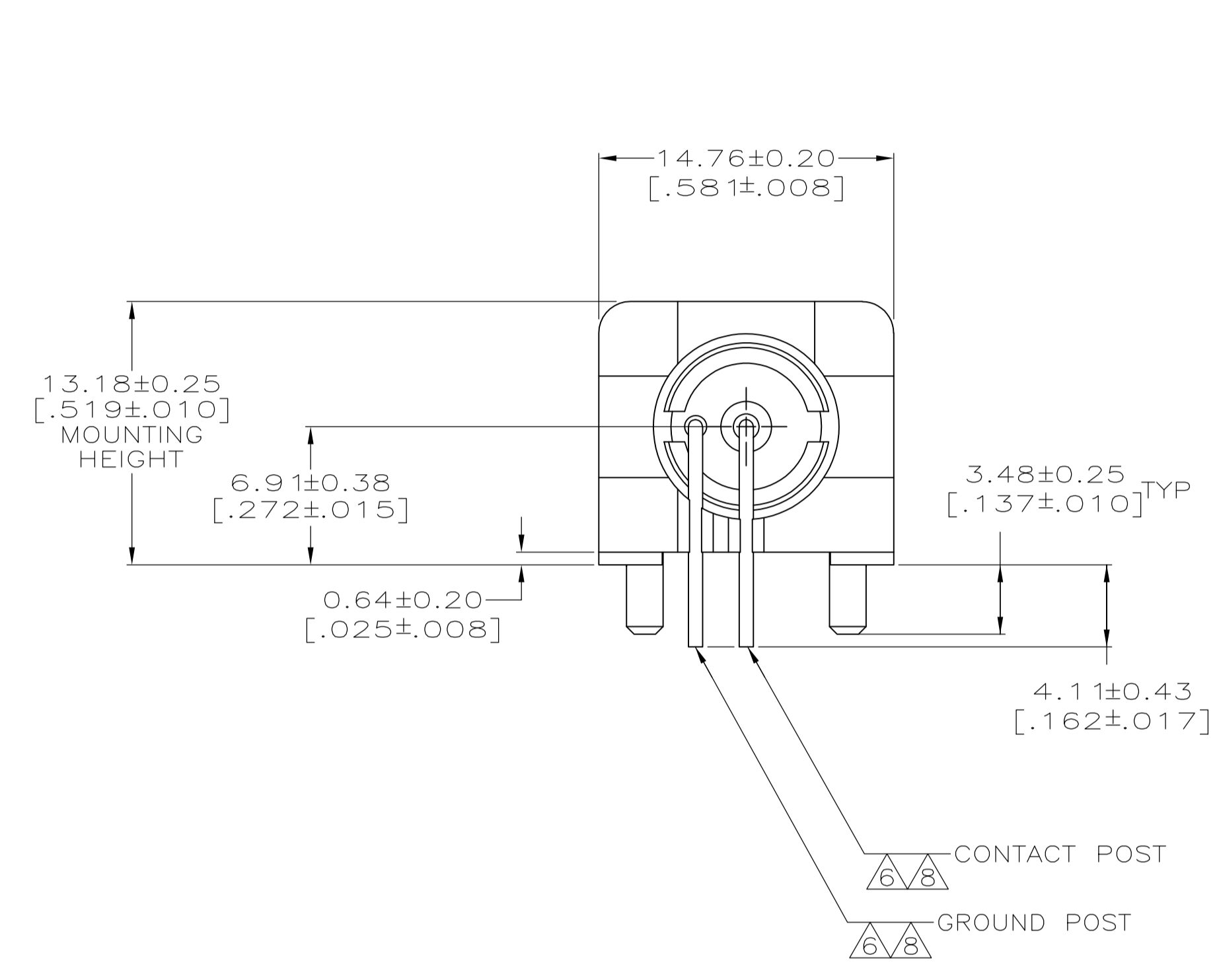


LOC	DIST	REVISIONS			
REV	BY	DATE	APP'D	REV	DATE
AJ	16	J	REV PER ECO 08-009474	7/21/2008	DW JL

- 1 POLYESTER PBT PER MIL-M-24519, TYPE GPT-15F, UL94V-0 RATED, COLOR:NATURAL
- 2 POLYESTER PBT PER MIL-M-24519, TYPE GPT-15F, UL94V-0 RATED, COLOR:BLACK
- 3 POLYMETHYLPENTENE, GENERAL PURPOSE.
- 4 ZINC PER QQ-Z-363.
- 5 BERYLLIUM COPPER PER QQ-C-530.
- 6 BRASS PER ASTM-B-453.
- 7 NICKEL PLATE PER QQ-N-290
3.81 μm [.000150] MINIMUM THICK.
- 8 TIN PLATE PER ASTM-B-545
3.81 μm [.000150] MINIMUM THICK.
- 9 GOLD PLATE PER MIL-G-45204
0.76 μm [.000030] MINIMUM THICK.
- 10. SEE INSTRUCTION SHEET 2769.



HOUSING MATERIAL	413194-2 413194-1 PART NO
------------------	---------------------------------

THIS DRAWING IS A CONTROLLED DOCUMENT.		DIN 11-29-90		Tyco Electronics Corporation Middletown, PA 17057	
DIMENSIONS: INCHES		TOLERANCES UNLESS OTHERWISE SPECIFIED:		APPROVED: J. LIPPERT	
0 PLC ± -		1 PLC ± -		NAME: A. GABANY	
1 PLC ± -		2 PLC ± 0.06 [.002]		PRODUCT SPEC	
2 PLC ± -		3 PLC ± -		APPLICATION SPEC	
3 PLC ± -		4 PLC ± -		SIZE: A1	
4 PLC ± -		ANGLES ± -		CAGE CODE: 00779	
MATERIAL: SEE NOTES 1-6		FINISH: SEE NOTES 7-9		DRAWING NO: 413194	
CUSTOMER DRAWING		SCALE: 4:1		SHEET 1 OF 1	

单击下面可查看定价，库存，交付和生命周期等信息

[>>TE Connectivity\(泰科\)](#)