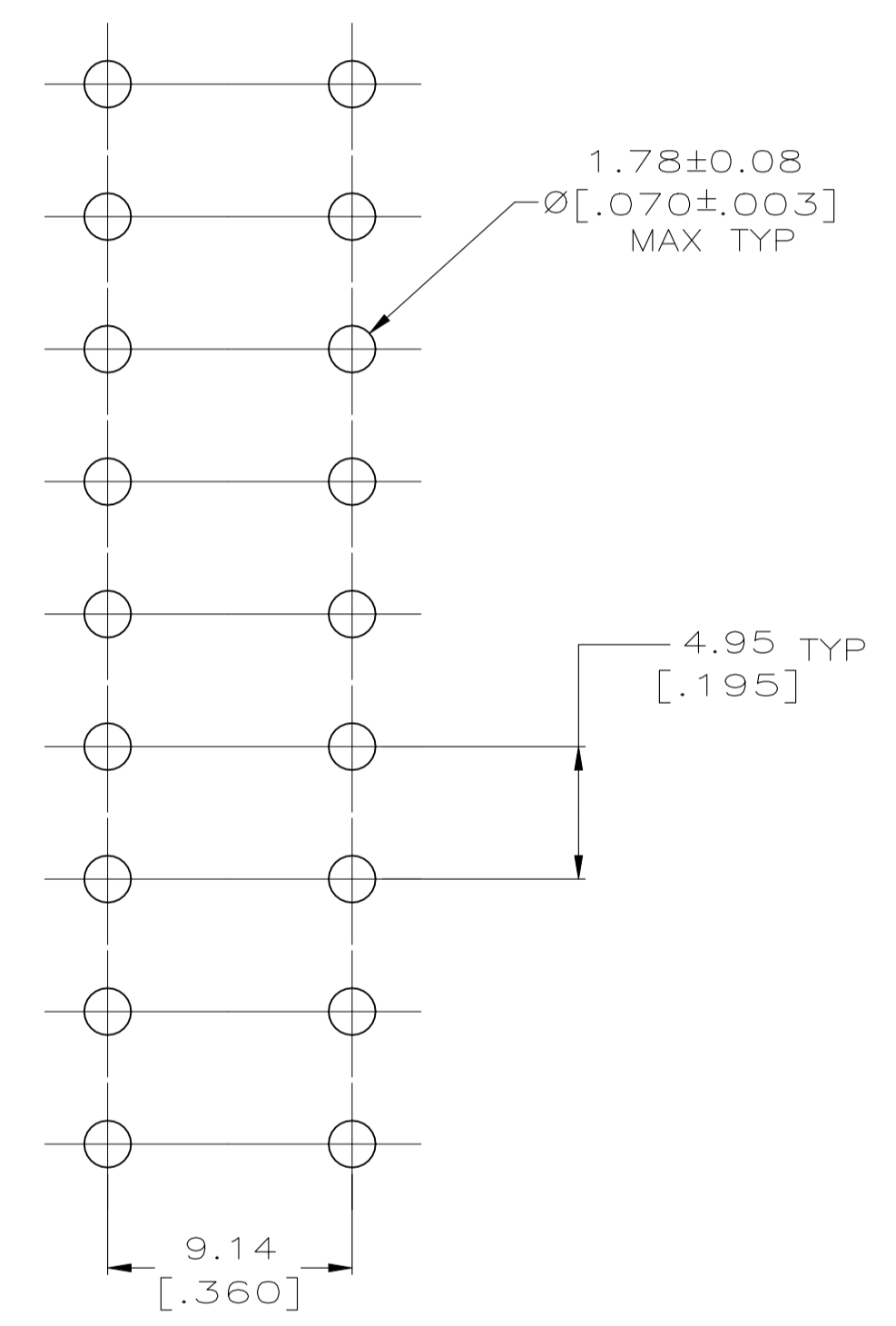
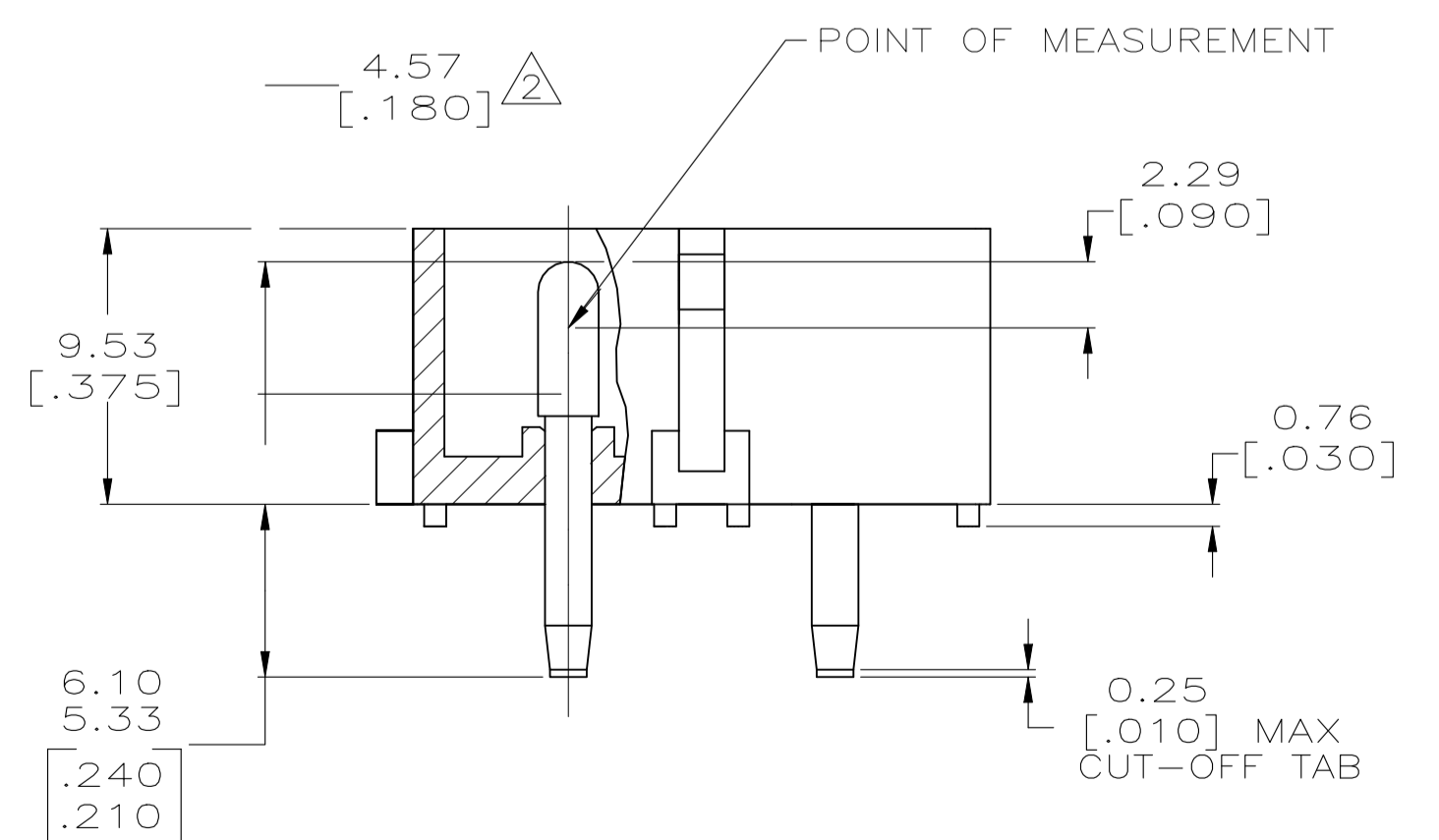
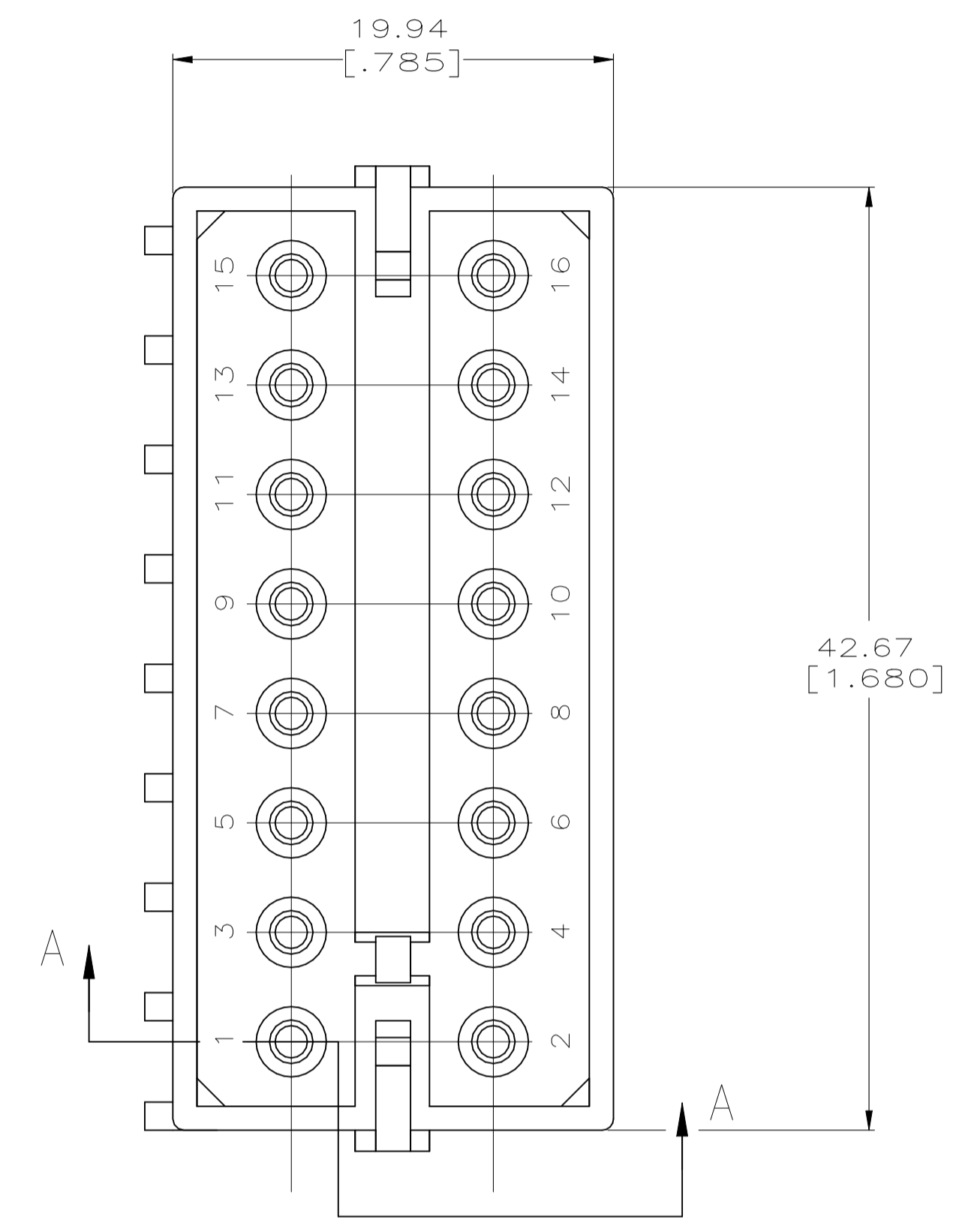


LOC		DIST		ZONE		LTR		REVISIONS		DATE	APPD
CM	53					N1		REVISED PER ECR-21-117185	25OCT2021		

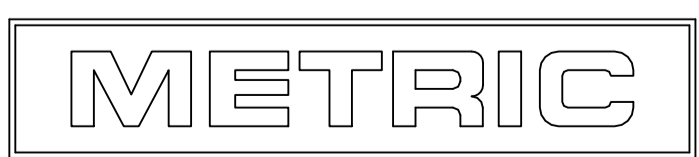


RECOMMENDED MOUNTING HOLE PATTERN FOR 3.18 [.125] THICK P.C. BOARD



SECTION A-A

- PARTS MUST COMPLY WITH AMP SOLDERABILITY SPECIFICATION 109-11-3.
- CONTACT IS PLATED OVERALL WITH 0.00127 [.000050] NICKEL, THEN 0.00076 [.00030] GOLD OVER CONTACT LENGTH INDICATED AND MATTE TIN ON SOLDER TAIL END.
- DIMENSIONS IN BRACKETS ARE IN INCHES.
- DIMENSION SHOWN REPRESENT PRODUCT IN DRY CONDITION. ADDITIONAL 2% GROWTH DUE TO END USE LOCATION MOISTURE ABSORPTION MAY OCCUR AND SHOULD BE ACCOUNTED FOR.



THIS DRAWING IS A CONTROLLED DOCUMENT FOR AMP INCORPORATED. IT IS SUBJECT TO CHANGE AND THE CONTROLLING ENGINEERING ORGANIZATION SHOULD BE CONTACTED FOR THE LATEST REVISION.

COPPER ALLOY, GOLD		NYLON, 6/6, NATURAL		350427-2	
COPPER ALLOY, PRE-TIN		NYLON, 6/6, NATURAL		350427-1	
PIN CONTACT MATERIAL AND FINISH		HOUSING MATERIAL AND COLOR		PART NO	
DO NOT SCALE PRINT. UNLESS SPECIFIED DIMENSIONS IN mm [INCHES] TOLERANCES ON : 2 PLC DEC ± 0.13 [.005] 3 PLC DEC ± - ANGLES ± -		DR 10-29-93 K. SALMON CHK 10-29-93 R. SWING APPD 11-9-93 C. MARTIN APPD 11-9-93 C. MARTIN PRODUCT SPEC -		AMP AMP Incorporated Harrisburg, PA 17105-3608	
SEE TABLE		NAME		HEADER ASSEMBLY, 16 CIRCUIT, COMMERCIAL MATE-N-LOK™	
SEE TABLE		APPLICATION SPEC		SIZE CAGE CODE DRAWING NO D 00779 C-350427	
WEIGHT		SCALE		SHEET	
		4:1		10F 1	

单击下面可查看定价，库存，交付和生命周期等信息

[>>TE Connectivity\(泰科\)](#)