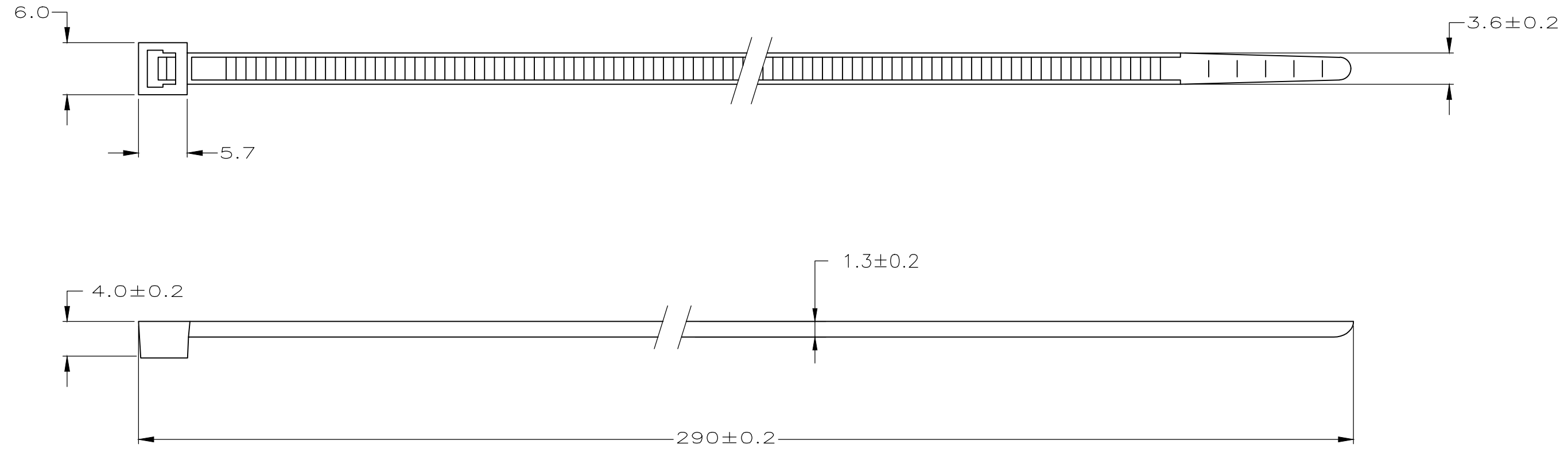


THIS DRAWING IS UNPUBLISHED. RELEASED FOR PUBLICATION
 © COPYRIGHT - By - ALL RIGHTS RESERVED.

REVISIONS				
P	LTR	DESCRIPTION	DATE	APVD
C2		OBSOLESCENCE OF P/N 3-160972-1 & 3-2	22MAR2018	SH NG

NOTES:
 1 RANGE: Ø80 MAX.
 2 MIN. TENSILE STRENGTH 130N.



OBSOLETE	500	BLACK	POLYAMIDE 6.6	3-160972-2
OBSOLETE	500	NATURAL	POLYAMIDE 6.6	3-160972-1
	100	BLACK	POLYAMIDE 6.6	2-160972-2
OBSOLETE	100	NATURAL	POLYAMIDE 6.6	2-160972-1
	QTY	FINISH	MATERIAL	PARTNUMBER

THIS DRAWING IS A CONTROLLED DOCUMENT.		DWN J.V.D.HEIJDEN. 27-02-92	STE TE Connectivity	
DIMENSIONS: mm		CHK R.VOS.		
TOLERANCES UNLESS OTHERWISE SPECIFIED:		APVD L.V.SOEST.	NAME CABLE TY.	
0 PLC ± - 1 PLC ± 0.4 2 PLC ± - 3 PLC ± - 4 PLC ± - ANGLES ± -		PRODUCT SPEC -	RESTRICTED TO -	
MATERIAL SEE TABLE		FINISH SEE TABLE	APPLICATION SPEC -	SIZE A3
		WEIGHT	CAGE CODE 00779	DRAWING NO C-160972
CUSTOMER DRAWING			SCALE NTS	SHEET 1 OF 1
			REV C2	

单击下面可查看定价，库存，交付和生命周期等信息

[>>TE Connectivity\(泰科\)](#)