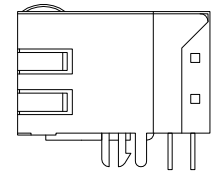
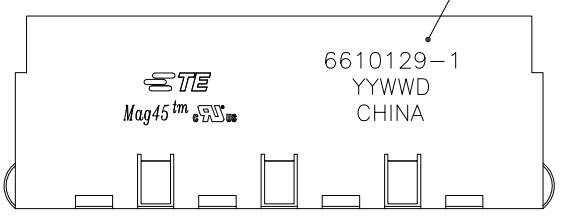
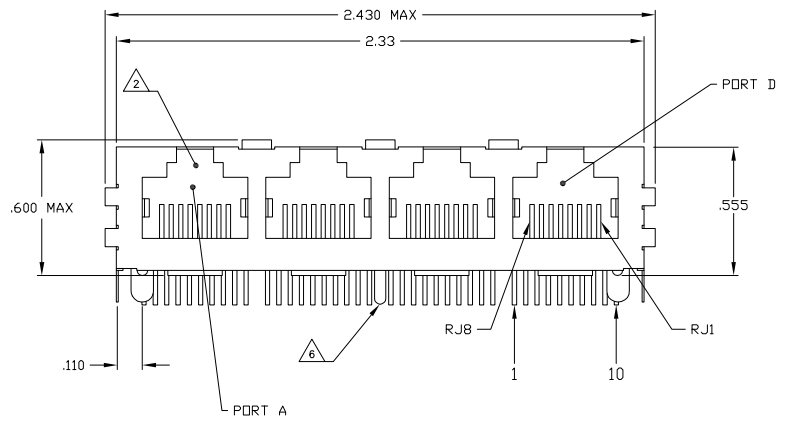


LOC	DATE	REVISIONS	DATE	BY	APP
AA	22				
C		REV PER ECO-08-015415	12APR2008	DC	TX
D		ECO-11-013422	20MAY2011	EL	LR

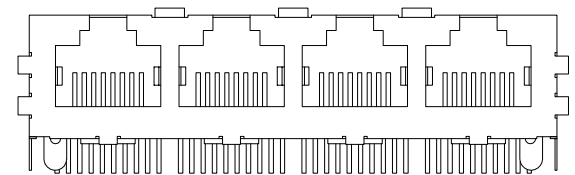
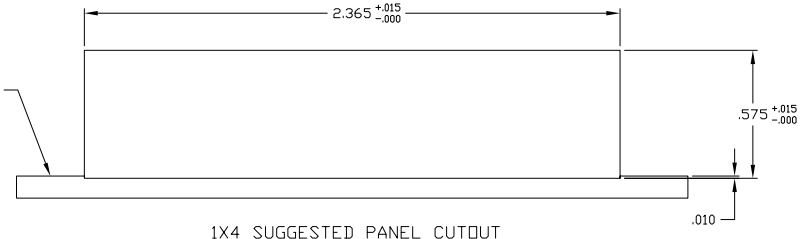
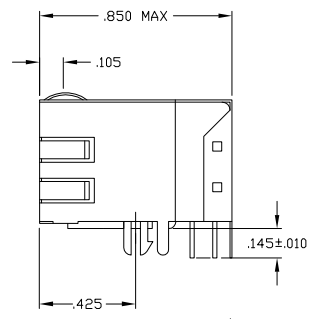
MECHANICAL:



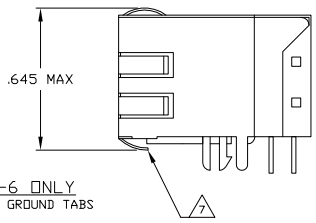
6610129-1 ONLY
NO BOTTOM TABS AND NO REAR GROUND PIN



6610129-5 SHOWN WITH REAR GROUND PIN



1610129-6 ONLY WITH BOTTOM GROUND TABS

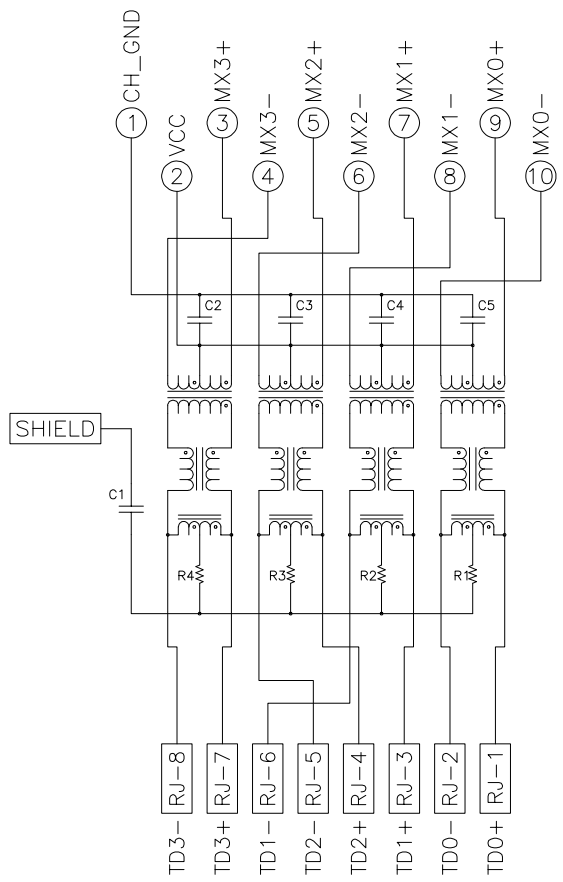


- 1 MATERIALS:
 - HOUSING - THERMOPLASTIC PET POLYESTER FLAMMABILITY RATING UL 94V-0.
 - SHIELD - .010" THICK C26800 BRASS PREPLATED WITH 30µINCH MIN SEMI-BRIGHT NICKEL. SOLDER TABS POST DIPPED WITH 100µINCH MIN SAC SOLDER.
 - MOD JACK CONTACTS - .0157" X .018", PHOSPHOR BRONZE, 50µINCH MIN OVERALL NICKEL UNDERPLATE, WITH SELECT 50µINCH MIN HARD GOLD FINISH PLATE. SOLDER TAILS WITH 1000µINCH MIN MATTE TIN AND/OR SAC SOLDER DIP.
- 2 RJ45 JACK CAVITY CONFORMS TO FCC RULES AND REGULATIONS PART 68, SUB PART F.
- 3 MAGNETICS:
 - APPLICATION: 10/100/1000 BASE-T
 - IMPEDANCE: 100 OHMS
 - TURNS RATIO (CHIP:CABLE): 1:1 ALL FOUR PAIRS
 - OPEN CIRCUIT INDUCTANCE (OCL): 350µH MIN @100kHz, 0.1VRMS, 8mADC BIAS FROM 0°C TO 70°C, ALL FOUR PAIRS
 - ALL FOUR PAIRS BI-DIRECTIONAL
 - PERFORMANCE @ 25°C:
 - INSERTION LOSS (IL): 1dB MAX FROM 0.5MHz TO 100MHz
 - RETURN LOSS (RL): 18dB MIN FROM 0.5MHz TO 4.0MHz
 - 12-20LOG(f/80)dB MIN FROM 4.0MHz TO 100MHz
 - CROSSTALK ATTENUATION: 35dB MIN FROM 0.5MHz TO 4.0MHz
 - 33-20LOG(f/50)dB MIN FROM 4.0MHz TO 100MHz
 - COMMON MODE REJECTION RATIO (CMRR): 30dB MIN FROM 0.5MHz TO 100MHz
 - ISOLATION VOLTAGE: 2250VDC (MAX) FOR 60 SECONDS WITH A RISE TIME OF 500V/SEC AND WITH ALL PORTS CONNECTED.
- 4 OPERATING TEMPERATURE: FROM 0°C TO -70°C.
- 5 INDICATED MAGNETIC CONNECTIONS ARE SYMMETRICAL TO ACCOMMODATE CONNECTIONS FOR EITHER NIC OR HUB CONFIGURATION, OR SUPPORT AUTO-MDI/MDIX.
- 6 REAR GROUND PIN ON 6610129-5 ONLY.
- 7 BOTTOM GROUND TABS ON 6610129-6 ONLY.
- 8 TE CONNECTIVITY LOGO, PART NUMBER, DATE CODE, COUNTRY OF ORIGIN AND AGENCY APPROVAL MARKING IN APPROXIMATE LOCATION SHOWN
- 9 THESE PARTS ARE RECOMMENDED FOR WAVE SOLDERING PROCESS, PEAK WAVE SOLDERING TEMPERATURE IS 265°C MAX, 10 SECONDS MAX.

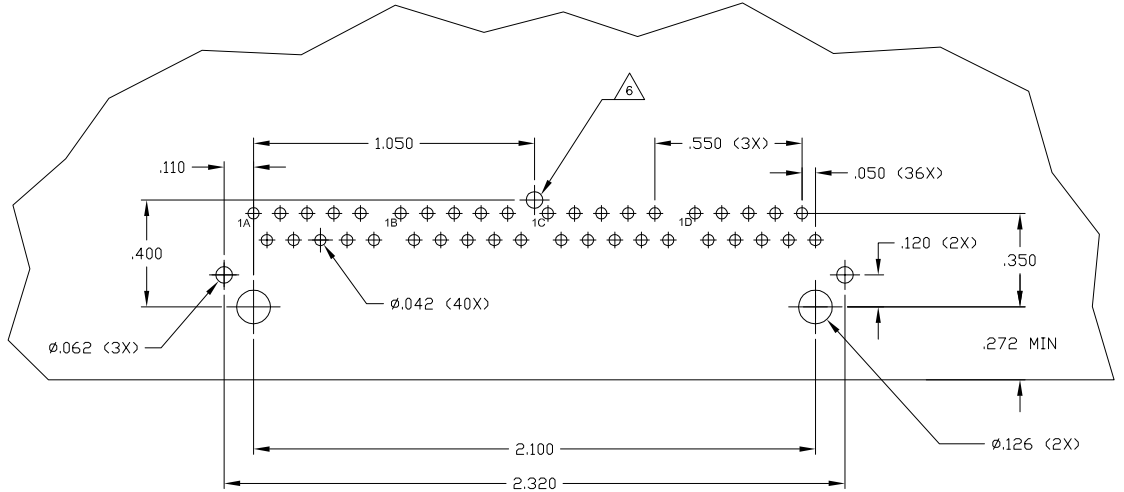
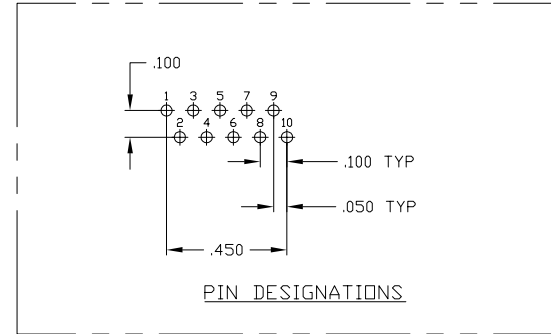
4	0	6610129-6
0	1	6610129-5
0	0	6610129-1
△ BOTTOM PANEL GROUND TAB	△ REAR PCB GROUND TAB	PART NUMBER

THIS DRAWING IS A CONTROLLED DOCUMENT. DWG. NO. 8 GRZYBOWSKI, DESIGNED BY D. FAROLE, CHECKED BY D. FAROLE, DATE 108-2100, PRODUCT SPEC 7C4 GIGABIT SCHEMATIC (10 PIN HORIZONTAL), APPLICATION SPEC 7C05 SERIES CIRCUIT, SHIELDED, NO LEADS, SIZE C, DATE CODE 00779, DRAWING NO. A100779C, PART NO. 6610129, WEIGHT, RESTRICTED TO CUSTOMER DRAWING, SCALE 1:1, SHEET 1 OF 2, REV D.

7G05 SERIES GIGABIT MAGNETIC CIRCUIT



C1 = 1000 pF, 2kV CAPACITOR
 R1-R4 = 75 OHMS, 1/16W RESISTORS
 C2-C5 = 0.1µF, 50V, X7R CAPACITORS



SUGGESTED PCB LAYOUT
 (Component Side)

THIS DRAWING IS A CONTROLLED DOCUMENT.		DESIGNER	R. GRZYBOWSKI	DATE	
DRAWN BY		DESIGNER	D. FAROLE	DATE	
CHECKED BY		DESIGNER	D. FAROLE	DATE	
APPROVED BY		DESIGNER	D. FAROLE	DATE	
DIMENSIONS:		PRODUCT SPEC	108-2100	SIZE	A1
INCHES		APPLICATION SPEC		QTY	2
MATERIAL		WEIGHT		SCALE	1:1
FINISH		CUSTOMER DRAWING		SHEET	2
SEE SHEET 1				REV	D

单击下面可查看定价，库存，交付和生命周期等信息

[>>TE Connectivity\(泰科\)](#)