

THIS DRAWING IS UNPUBLISHED.
VERTRÄULICHE UNVERÖFFENTLICHTE ZEICHNUNG

RELEASED FOR PUBLICATION
FREI FUER VERÖFFENTLICHUNG

MATED WITH:
PASSEND ZU:
HIP-BG4

LOC AI
DIST -

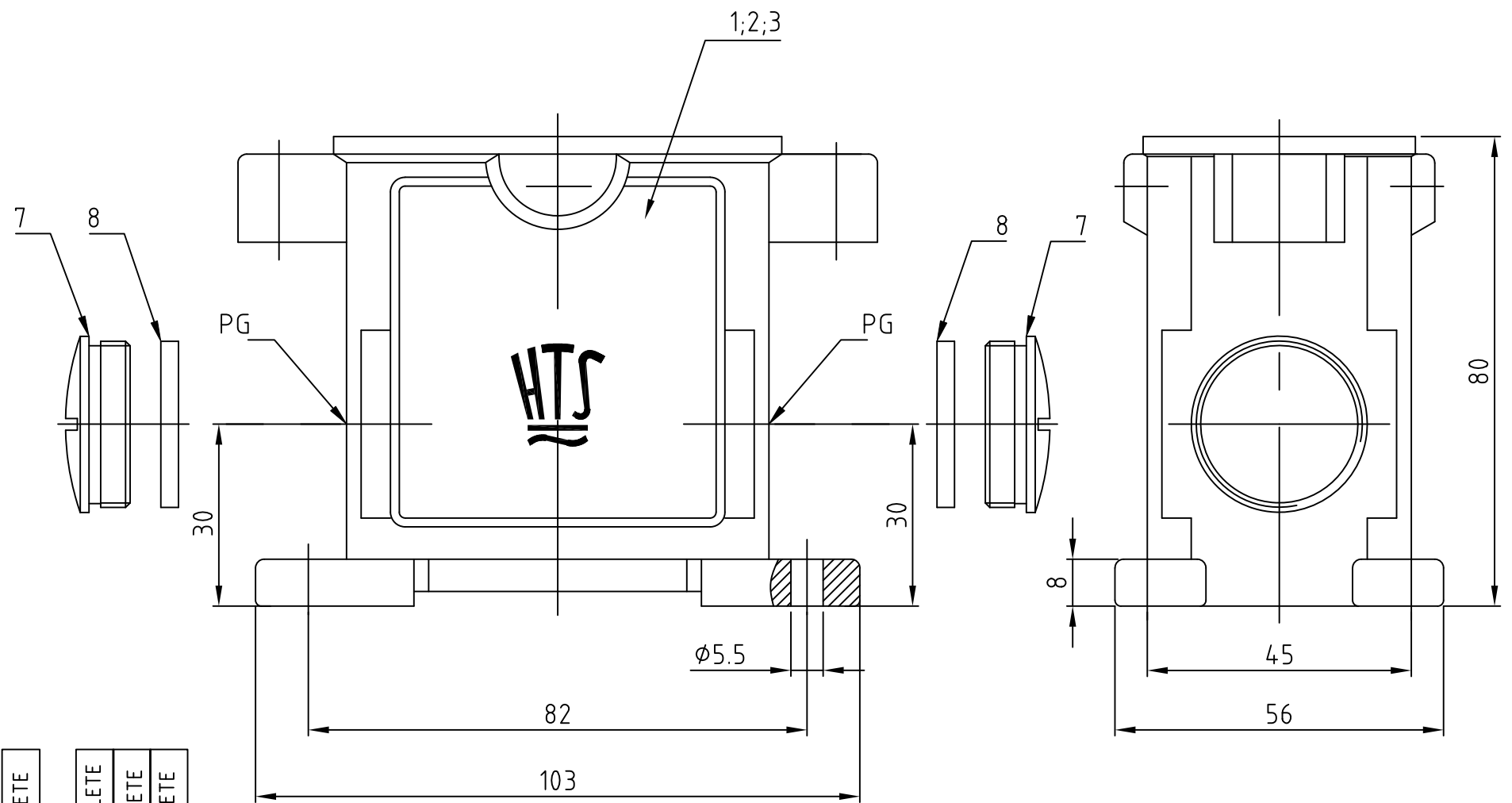
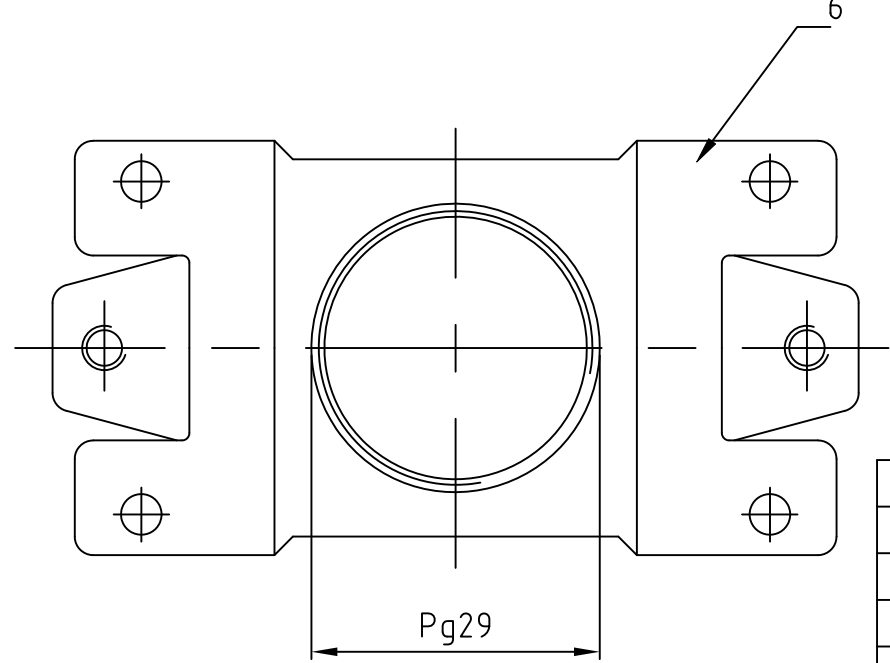
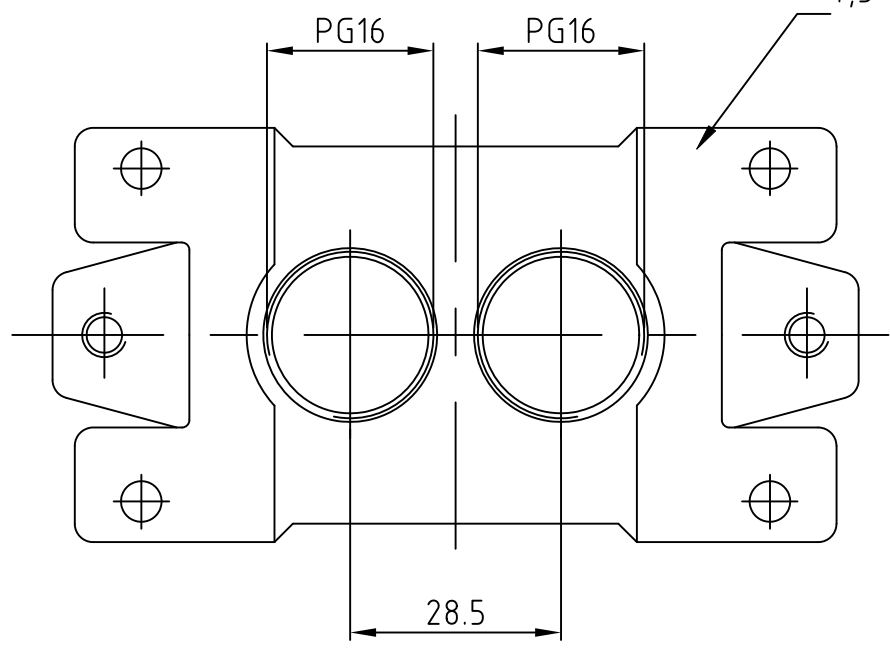
REVISIONS
ÄNDERUNGEN

© COPYRIGHT 1998

BY AMP INCORPORATED. ALL RIGHTS RESERVED.
ALLE RECHTE VORBEHALTEN

PROJEKT NR.: B5 ECR-17-014011

DATE 28MAR2018
DWN SG
APVD MKO



ITEM NO. POS.	DESCRIPTION / BENENNUNG	MATERIAL	SURFACE / OBERFLÄCHE	COLOR / FARBE	ITEM NO. POS.	NOTES / BEMERKUNGEN
1	O-Ring Pg 29	-	-	black/schwarz	8	
1	Blindstopfen Pg 21	Ms	vernickelt	-	7	
1	Socketgehäuse HIP-K.10/24	aluminium/ALU	Hard Coat	black/schwarz	6	1xPG29-Gewinde im Boden
-	Socketgehäuse HIP-K.10/24	aluminium/ALU	Hard Coat	black/schwarz	5	2xPG16-Gewinde im Boden
-	Socketgehäuse HIP.10/24	aluminium/ALU	-	grau/grey	4	2xPG16-Gewinde im Boden
-	Socketgehäuse HIP-K.10/24	aluminium/ALU	Hard Coat	black/schwarz	3	Pg29
-	Socketgehäuse HIP-K.10/24	aluminium/ALU	Hard Coat	black/schwarz	2	Pg21
-	Socketgehäuse HIP.10/24	aluminium/ALU	-	grau/grey	1	Pg21

- Notes,
 1 Material: Housing: aluminium diecasting alloy
 2 Surface: Varnish- black; grey
 3 Varnish on the inside not necessarily
- Bemerkungen,
 1 Material: Gehäuse: Alu-Druckguß-Legierung
 2 Oberfläche: Lackierung - schwarz; grau
 3 Lackierung im Gehäuseinnere ist nicht notwendig

<p>THIS DRAWING IS A CONTROLLED DOCUMENT FOR AMP INCORPORATED. IT IS SUBJECT TO CHANGE AND THE CONTROLLING ENGINEERING ORGANIZATION SHOULD BE CONTACTED FOR THE LATEST REVISION.</p> <p>DIMENSIONS: DIMENSIONEN: mm</p> <p>TOLERANCES UNLESS OTHERWISE SPECIFIED: ALLGEMEINTOLERANZEN</p> <p>0 PLC # 1 PLC # 2 PLC # 3 PLC #</p> <p>ANGLES / WINKEL # FINISH / OBERFLÄCHE / FARBE</p>	<p>DWN Schneider 10.11.98</p> <p>CHK Schweiger 10.11.98</p> <p>APVD -</p> <p>PRODUCT SPEC PRODUKTSPEZ. -</p> <p>APPLICATION SPEC VERARBEITUNGSSPEZ. -</p> <p>WEIGHT GEWICHT 290g</p> <p>CUSTOMER DRAWING / KUNDENZEICHNUNG</p>	<p>TE TE Connectivity</p> <p>Surface mounted housing side entry Sockelgehäuse HIP/HIP-K.10/24</p> <p>SIZE A3 CAGE CODE 00779 DRAWING NO. ZEICHNUNGS-NR. 1102611</p> <p>RESTRICTED TO NUR FUER -</p> <p>SCALE MASSSTAB 1:1 SHEET BLATT 1 OF 1 REV. B5</p>
-------------------------------------------------------------------------------------------------------------------------------------------------------------------------------------------------------------------------------------------------------------------------------------------------------------------------------------------------------------------------------------------------------	--------------------------------------------------------------------------------------------------------------------------------------------------------------------------------------------------------------------------------	---------------------------------------------------------------------------------------------------------------------------------------------------------------------------------------------------------------------------------------------------------------------

单击下面可查看定价，库存，交付和生命周期等信息

[>>TE Connectivity\(泰科\)](#)