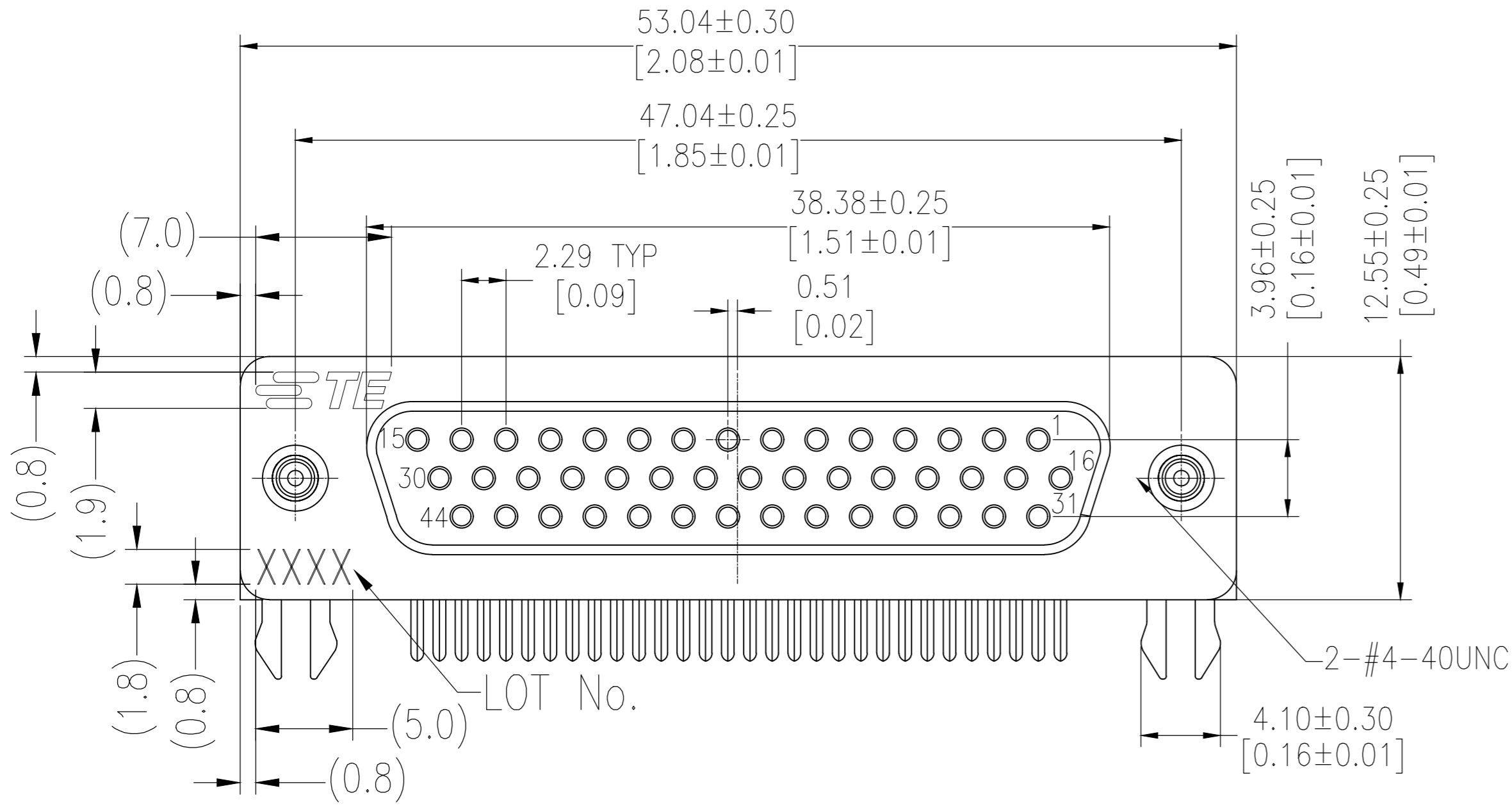
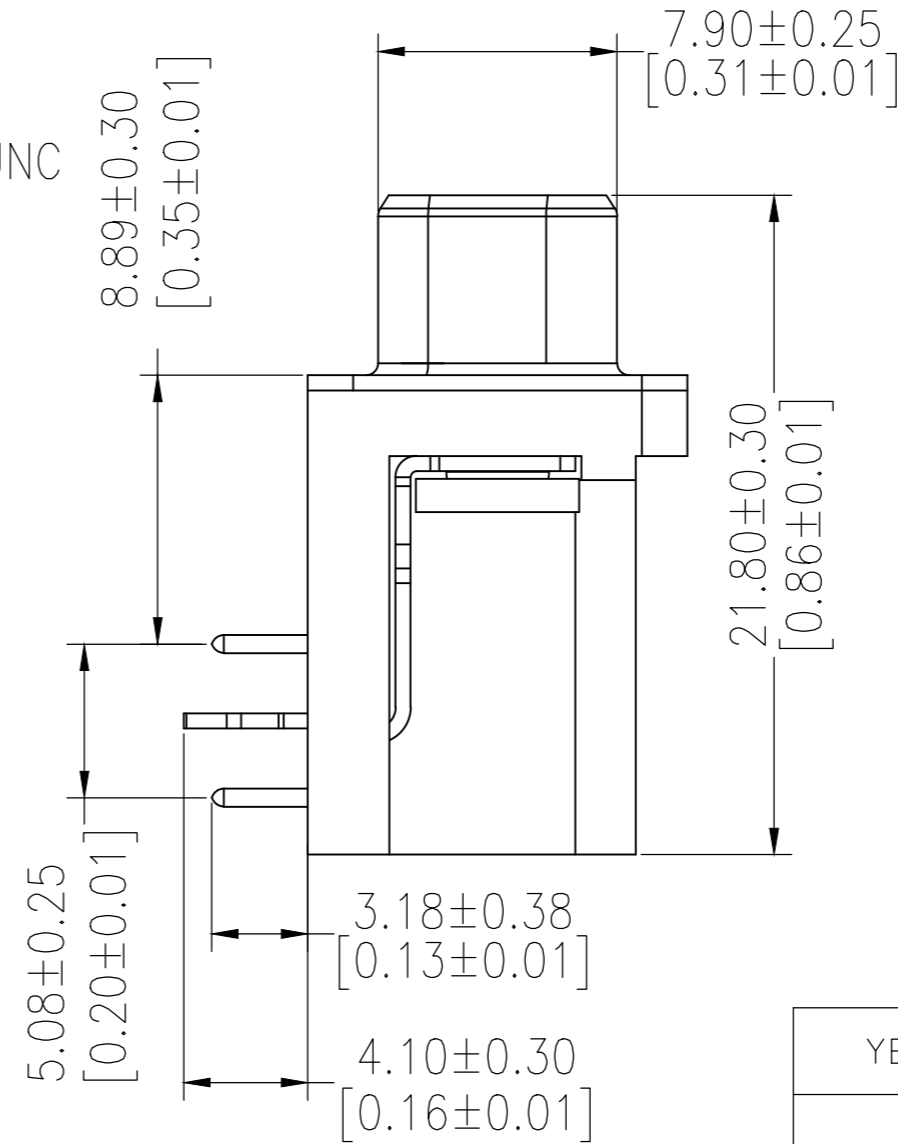
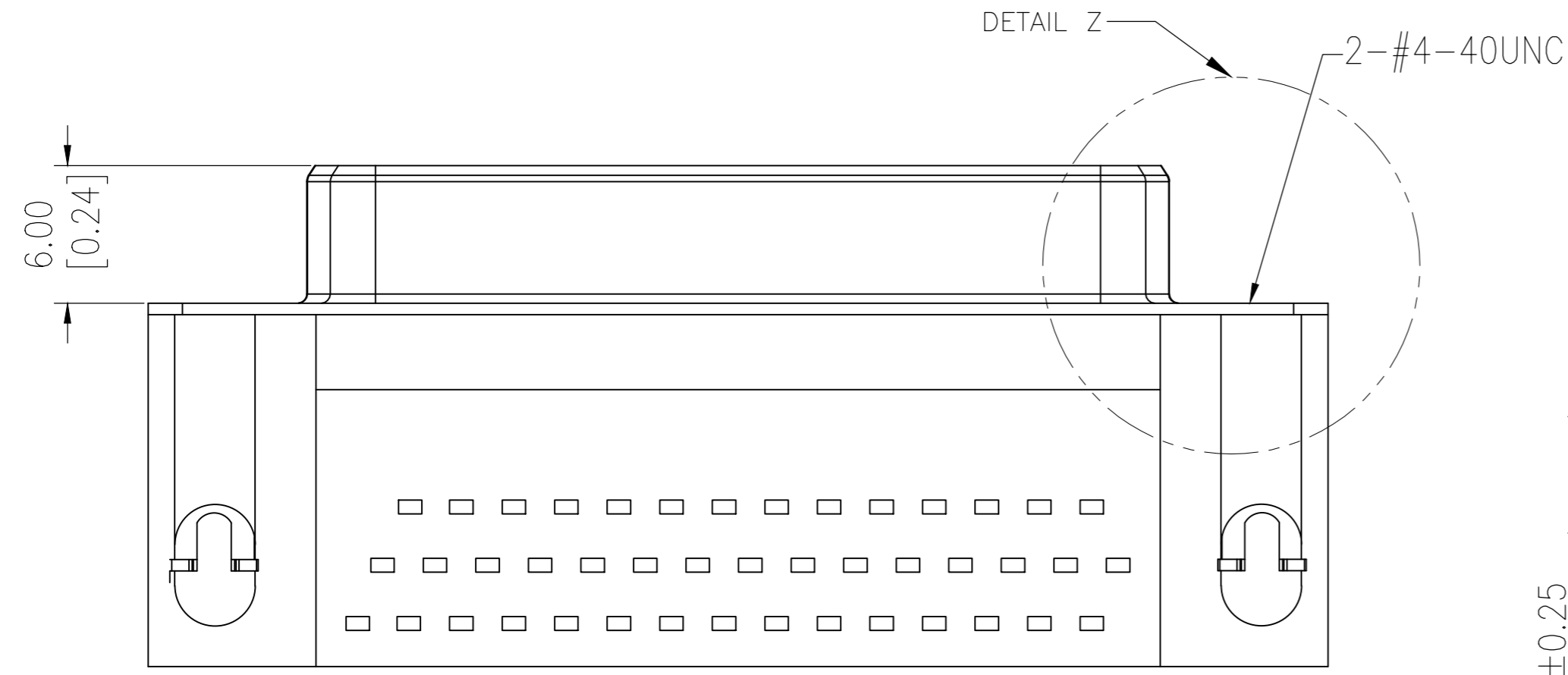
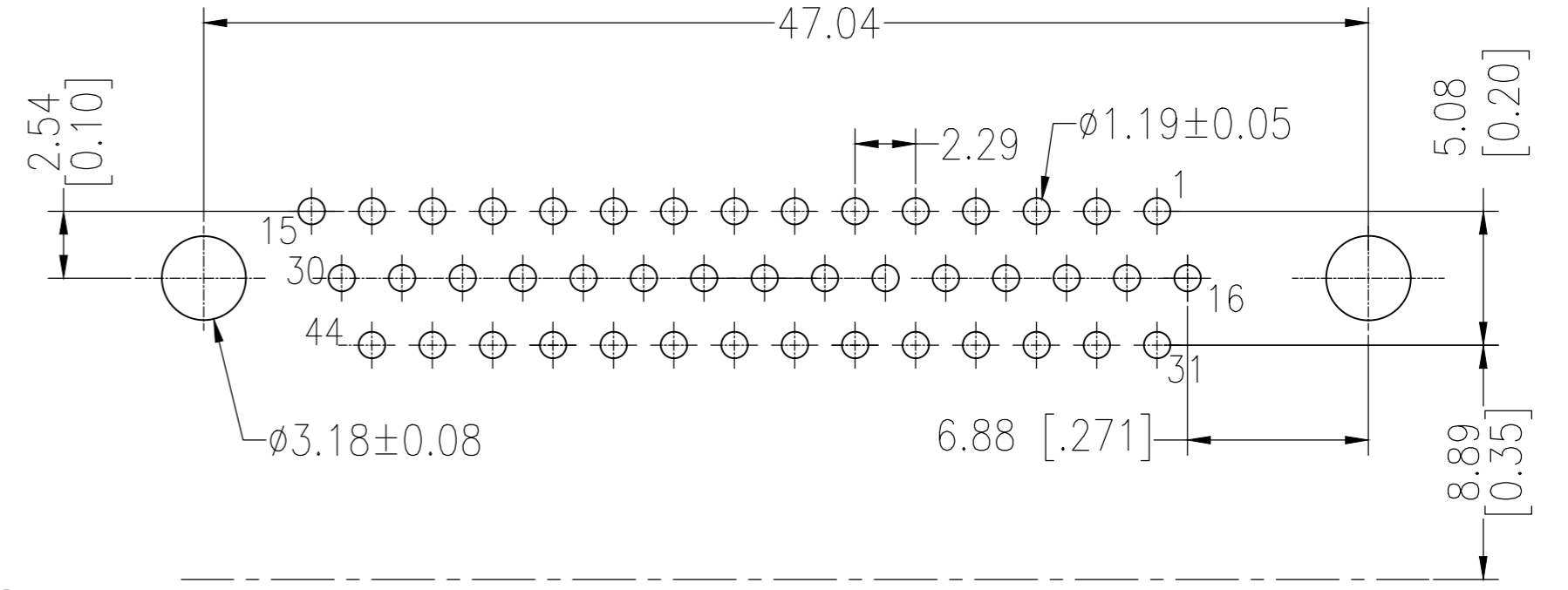


THIS DRAWING IS UNPUBLISHED. RELEASED FOR PUBLICATION
 © COPYRIGHT - TE Connectivity ALL RIGHTS RESERVED.

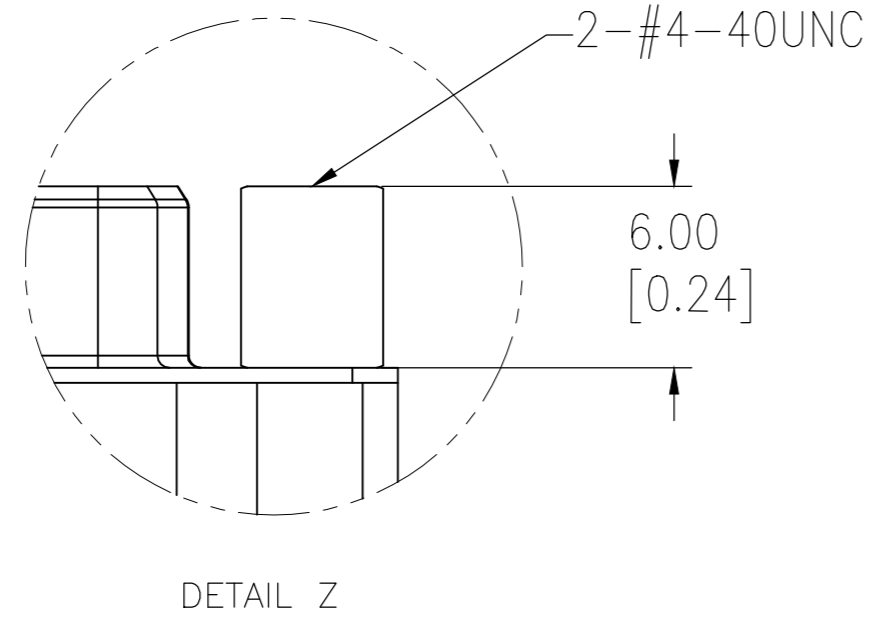
REVISIONS					
P	LTR	DESCRIPTION	DATE	DWN	APVD
E		REVISED PER ECO-18-008015	24MAY2018	AP	DG



Recommended P.C.B Layout(Top Side)
 (PCB BOARD TOLERANCE±0.05)



NOTES:
 Insulator:PBT+G.F UL94V-0 BLACK
 Contact:PHOSPHOR BRONZE
 " GOLD PLATING ON CONTACT AREA
 100u" MATTE TIN PLATING ON SOLDER TAIL
 50u" NICKEL UNDERPLATED OVERALL
 Holddown:Brass,100u" TIN OVER 50u" NICKEL
 Sheel: Cold Roller Steel, Ni Plated
 Rivetlock:Brass,Nickel Plated
 LOT NUMBER "XXXX"
 Stands For Calendar Year
 Stands For Week Number



YES SEE DETAIL Z	15µ" Au	2311770-2
THREADED	30µ" Au	2311770-1
SCREWLOCK	Contact Area	P/N
	Plating	

THIS DRAWING IS A CONTROLLED DOCUMENT.		DWN AJITH PAI 13MAR2017	TE Connectivity	
DIMENSIONS: mm		CHK DANIEL GORENC 13MAR2017	NAME AMPLIMITE RECEPTACLE, HD22, RIGHT ANGLE, 44P	
TOLERANCES UNLESS OTHERWISE SPECIFIED:		APVD DANIEL GORENC 13MAR2017	PRODUCT SPEC 108-130023	
0 PLC ± -	1 PLC ± -	APPLICATION SPEC	SIZE A2	CAGE CODE 00779
2 PLC ± 0.25	3 PLC ± -	WEIGHT	DRAWING NO C=2311770	RESTRICTED TO
4 PLC ± -	ANGLES ± -	MATERIAL	SCALE 1:1	SHEET 1 OF 1
FINISH		CUSTOMER DRAWING	REV E	

单击下面可查看定价，库存，交付和生命周期等信息

[>>TE Connectivity\(泰科\)](#)