

4

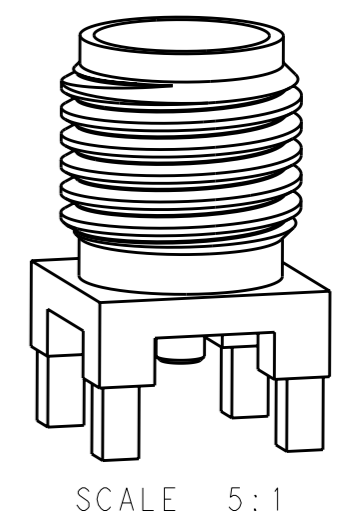
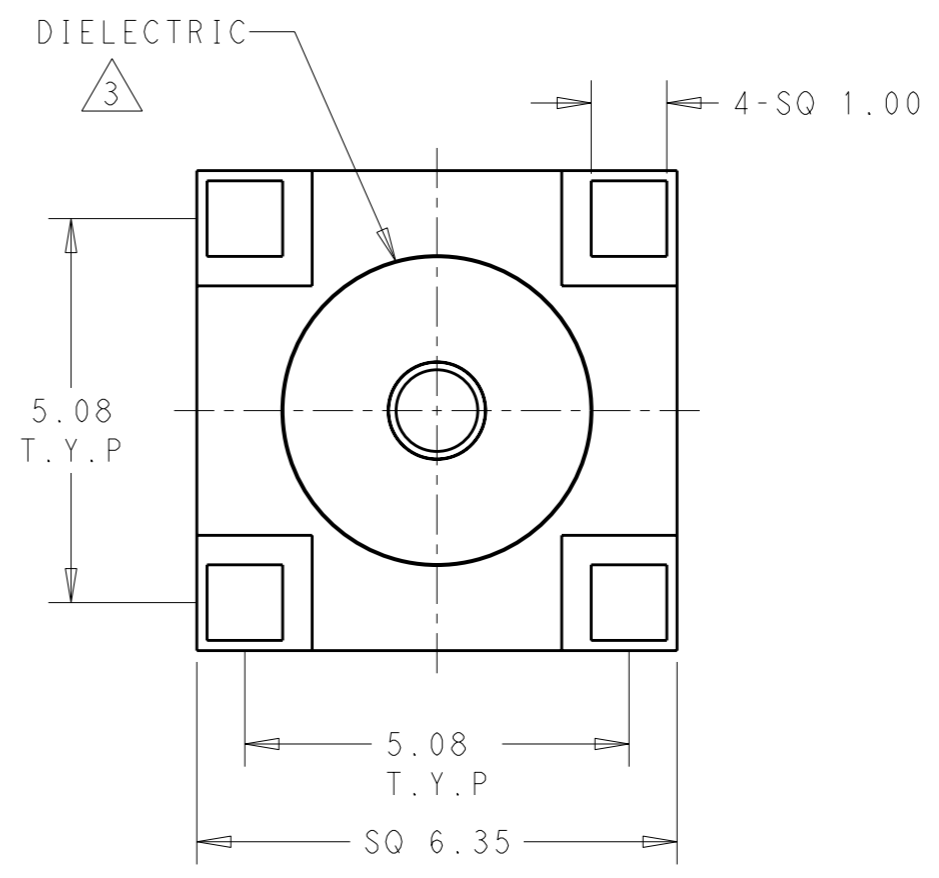
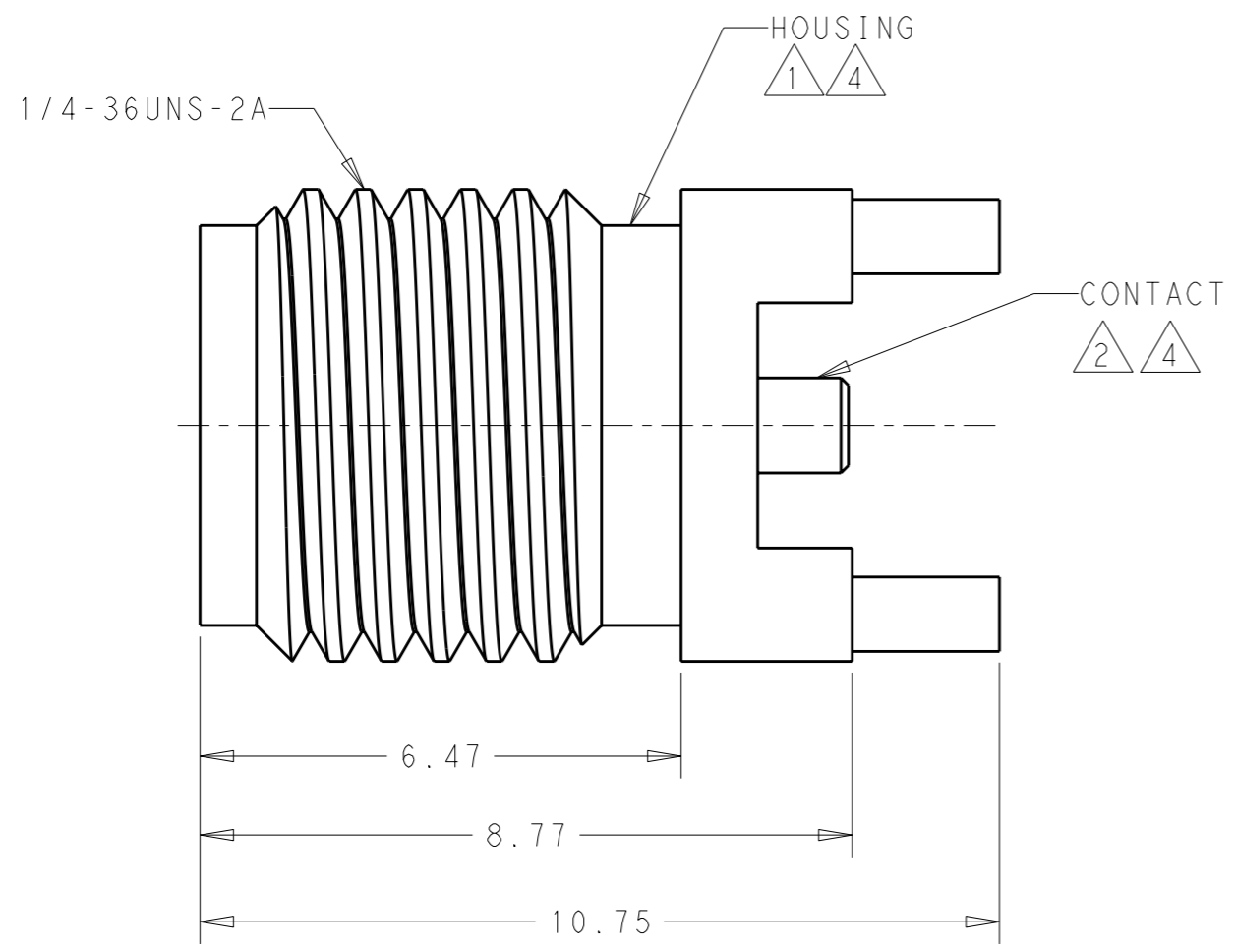
3

2

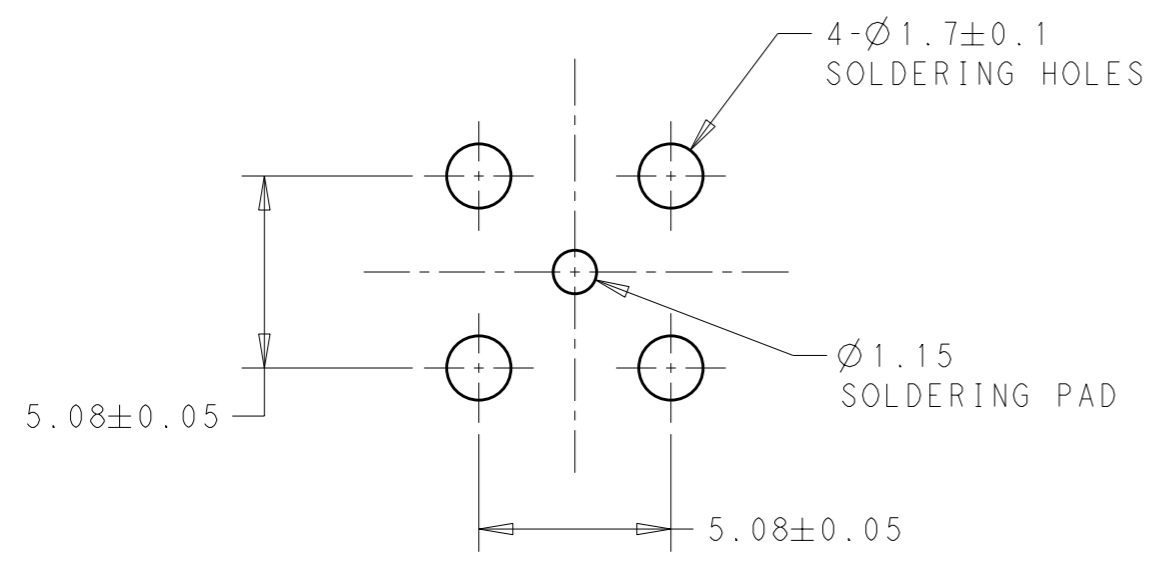
1

THIS DRAWING IS UNPUBLISHED. RELEASED FOR PUBLICATION 20
 © COPYRIGHT 20 BY - ALL RIGHTS RESERVED.

LOC		DIST		REVISIONS			
P	LTR	DESCRIPTION		DATE	DWN	APVD	
-	-	A	FIRST ISSUE	29AUG11	AM	MY	



- 1 BRASS
- 2 BERYLLIUM COPPER
- 3 PTFE
- 4 GOLD PLATED



RECOMMENDED PCB LAYOUT
 SCALE 5:1

2081156-1
 PART NO.

THIS DRAWING IS A CONTROLLED DOCUMENT.		DWN ANSON MA 29-AUG-11	TE Connectivity	
DIMENSIONS: mm		CHK -		
TOLERANCES UNLESS OTHERWISE SPECIFIED:		APVD MARTIN YF 29-AUG-11	NAME SMA JACK STRAIGHT RF CONNECTOR FOR TEST	
0 PLC ±-		PRODUCT SPEC -	SIZE A3	
1 PLC ±0.2		APPLICATION SPEC -	CAGE CODE 00779	DRAWING NO C-2081156
2 PLC ±0.1		WEIGHT -	RESTRICTED TO -	
3 PLC ±0		CUSTOMER DRAWING	SCALE 10:1	SHEET 1 OF 1
4 PLC ±0				REV A
ANGLES ±2°				
MATERIAL -				
FINISH -				

单击下面可查看定价，库存，交付和生命周期等信息

[>>TE Connectivity\(泰科\)](#)