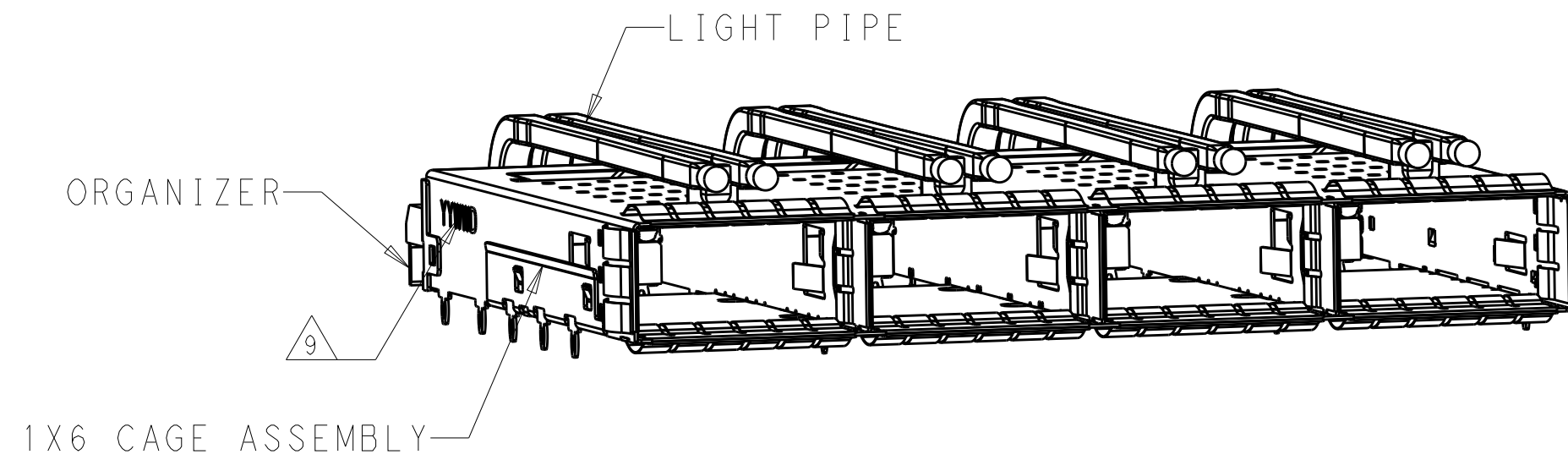
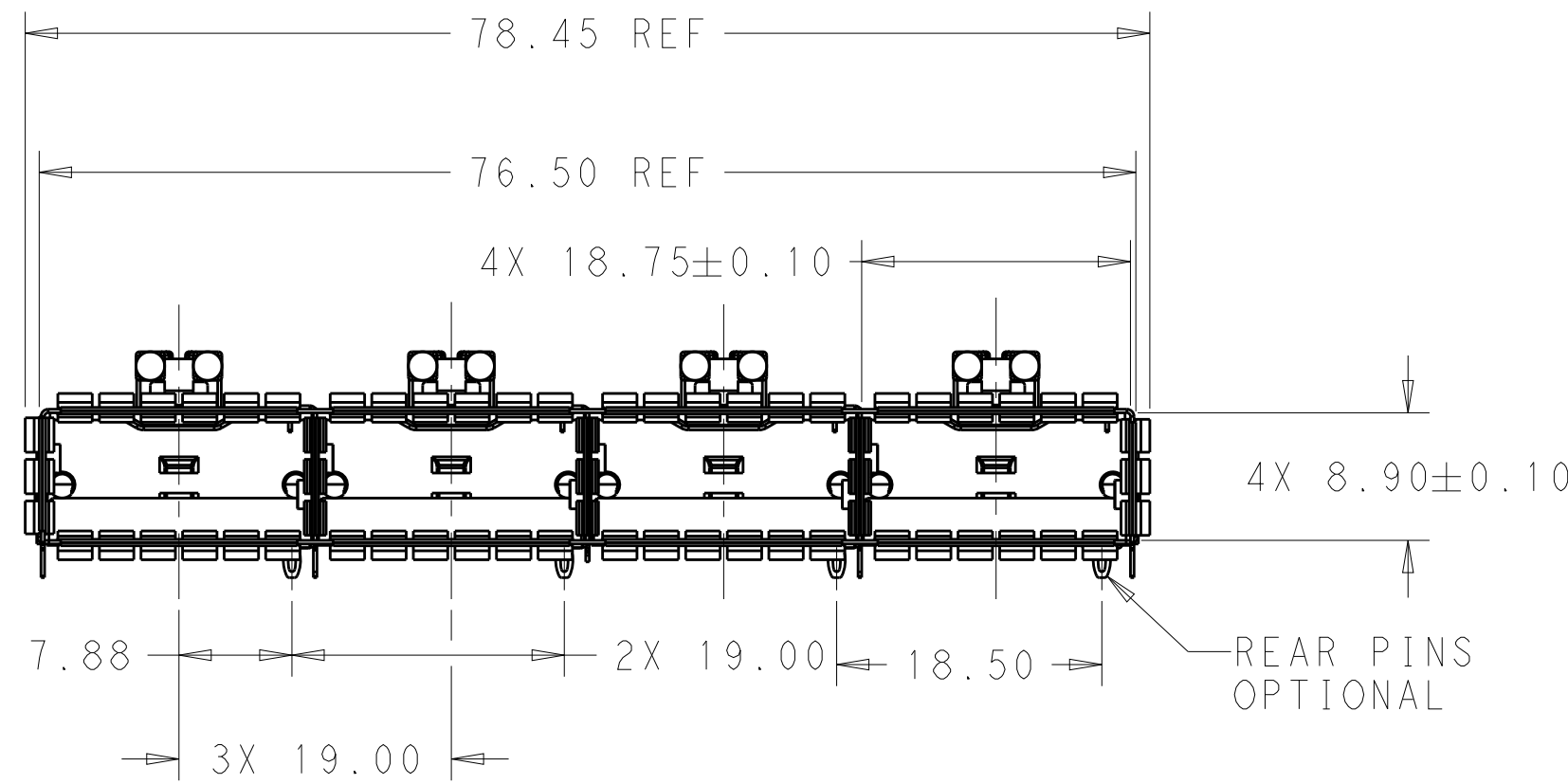


THIS DRAWING IS UNPUBLISHED. RELEASED FOR PUBLICATION 20
 © COPYRIGHT 20 BY - ALL RIGHTS RESERVED.

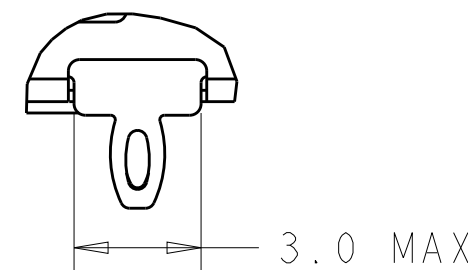
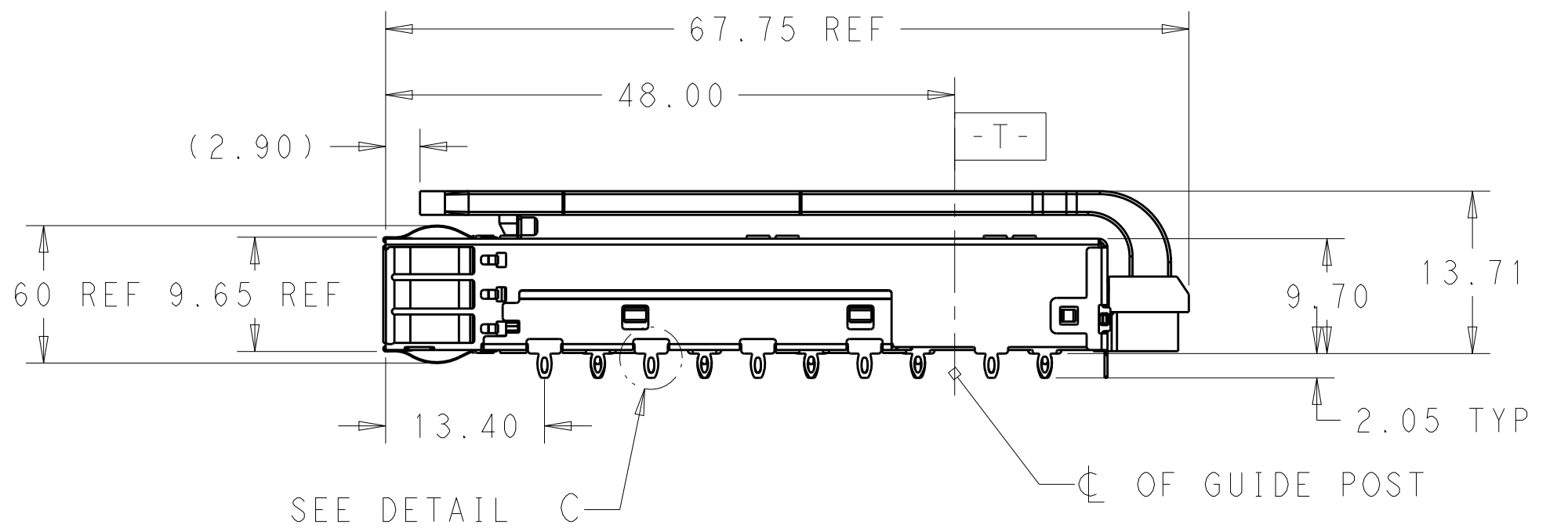
REVISIONS					
P	LTR	DESCRIPTION	DATE	DWN	APVD
A		RELEASE	08NOV2016	JY	SH
B		REVISED PER ECO-19-007734	19MAR2019	JY	SH



- COMPONENTS
 CAGE ASSEMBLY: NICKEL-SILVER ALLOY
 HEAT SINK: ALUMINUM/BLACK ANODIZE
 HEAT SINK CLIP: STAINLESS STEEL
 EMI SPRING: COPPER ALLOY/NICKEL PLATE
 LIGHT PIPE: CLEAR POLYCARBONATE
 ORGANIZER: POLYESTER
- REFERENCE APPLICATION SPECIFICATION 114-32023 FOR RECOMMENDED DRILL HOLE DIAMETER AND PLATING THICKNESS
- DATUM AND BASIC DIMENSION ESTABLISHED BY CUSTOMER
- MATES WITH QSFP28 MSA COMPATIBLE TRANSCEIVER.
- LIGHT PIPES ARE SHIPPED ASSEMBLED ON CAGE
- MINIMUM PC BOARD THICKNESS: SINGLE SIDED: 1.57 MIN
 DOUBLE SIDED: 2.20 MIN
- DATUM **-A-** IS TOP SURFACE OF THE HOST BOARD.
- THESE HOLES ARE OPTIONAL WHEN THE REAR PINS ARE REMOVED.
- DATE CODE (YYWWD) MARKED APPROXIMATELY AS SHOWN.



SCALE 2:1



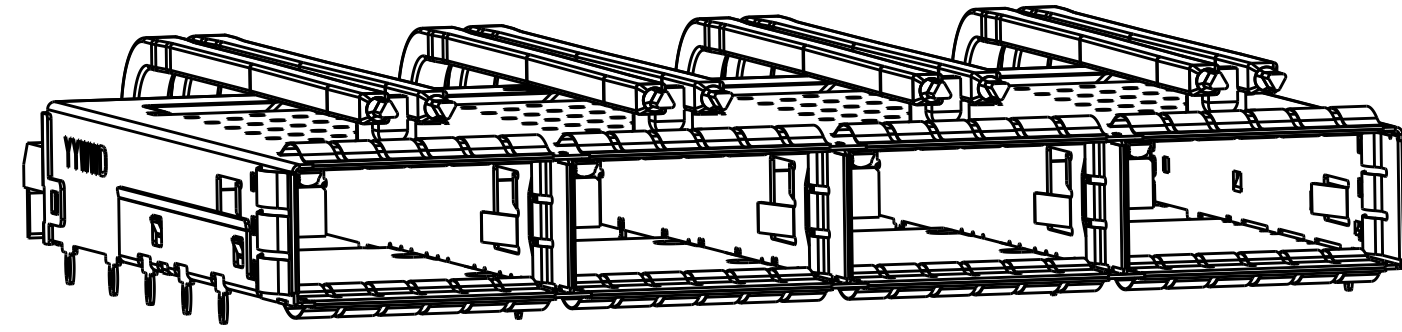
DETAIL C
 SCALE 6:1

WITH	QUAD	2170746-5
WITHOUT	DUAL, TRI	2170746-4
WITHOUT	DUAL	2170746-2
WITH	DUAL	2170746-1
REAR PINS OPTIONAL	LIGHT PIPE OPTIONAL	PART NUMBER

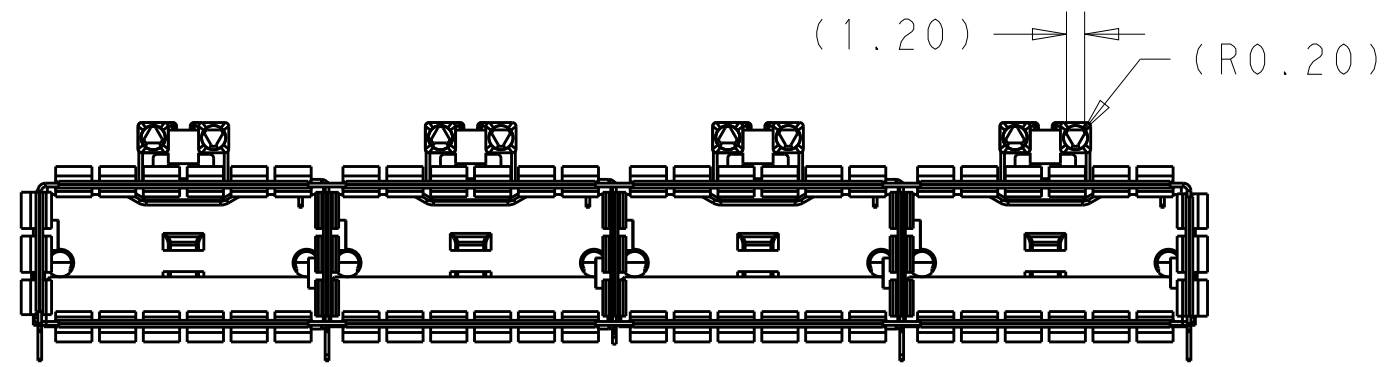
THIS DRAWING IS A CONTROLLED DOCUMENT.		DWN 04JUN2014 JASON YANG	TE Connectivity	
		CHK 08NOV2016 SEAN HAN		
DIMENSIONS: mm	TOLERANCES UNLESS OTHERWISE SPECIFIED:	APVD -	NAME RECEPTACLE CAGE ASSEMBLY WITH LIGHT PIPES, THRU BEZEL, 1X4, QSFP28	RESTRICTED TO
	0 PLC ± 1 PLC ±0.25 2 PLC ±0.2 3 PLC ± 4 PLC ±	PRODUCT SPEC 108-19428	SIZE A2	
MATERIAL SEE NOTES	ANGLES ± FINISH	APPLICATION SPEC 114-32023	CAGE CODE A200779	DRAWING NO C-2170746
		WEIGHT -	SCALE 3:1	SHEET 1 OF 7
		CUSTOMER DRAWING		REV B

THIS DRAWING IS UNPUBLISHED. RELEASED FOR PUBLICATION 20
 © COPYRIGHT 20 BY - ALL RIGHTS RESERVED.

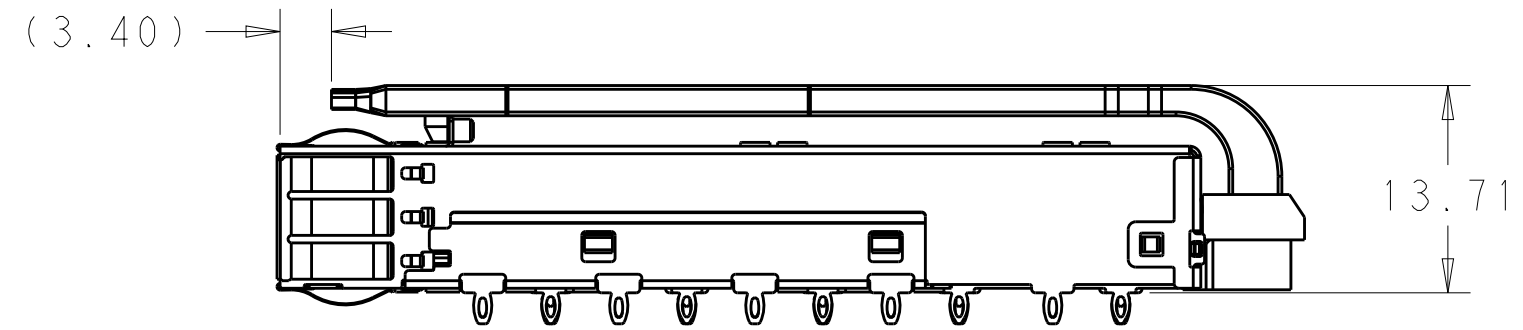
REVISIONS				
P	LTR	DESCRIPTION	DATE	APVD
-		SEE SHEET 1	-	-



2170746-4 AS SHOWN
 WITH TRI LIGHT PIPE
 SCALE 2:1



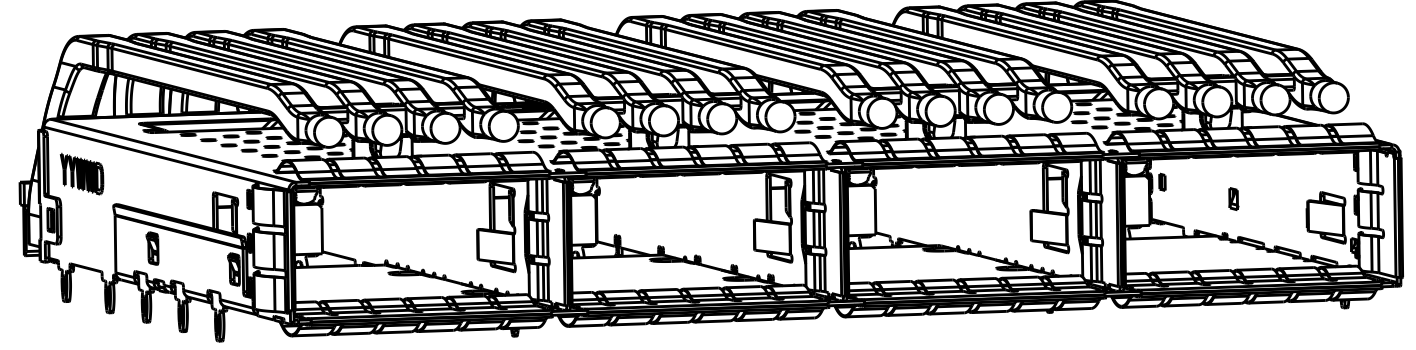
SCALE 2:1



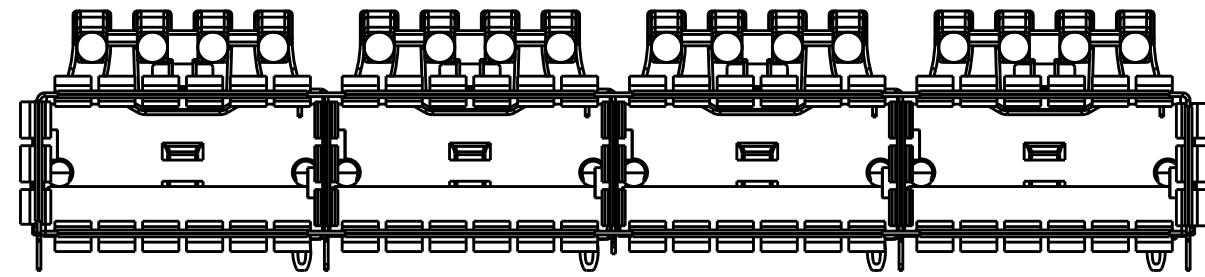
THIS DRAWING IS A CONTROLLED DOCUMENT.		DWN 04JUN2014 JASON YANG	STE TE Connectivity	
		CHK 08NOV2016 SEAN HAN		
DIMENSIONS:	TOLERANCES UNLESS OTHERWISE SPECIFIED:	APVD -	NAME RECEPTACLE CAGE ASSEMBLY WITH LIGHT PIPES, THRU BEZEL, 1X4, QSFP28	
mm	0 PLC ± 1 PLC ±0.25 2 PLC ±0.2 3 PLC ± 4 PLC ± ANGLES ± FINISH	PRODUCT SPEC 108-19428	SIZE A2	CAGE CODE 00779
MATERIAL SEE NOTES	SEE NOTES	APPLICATION SPEC 114-32023	DRAWING NO C-2170746	RESTRICTED TO -
		WEIGHT -	SCALE 3:1	SHEET 2 OF 7
		CUSTOMER DRAWING		REV B

THIS DRAWING IS UNPUBLISHED. RELEASED FOR PUBLICATION 20
 © COPYRIGHT 20 BY - ALL RIGHTS RESERVED.

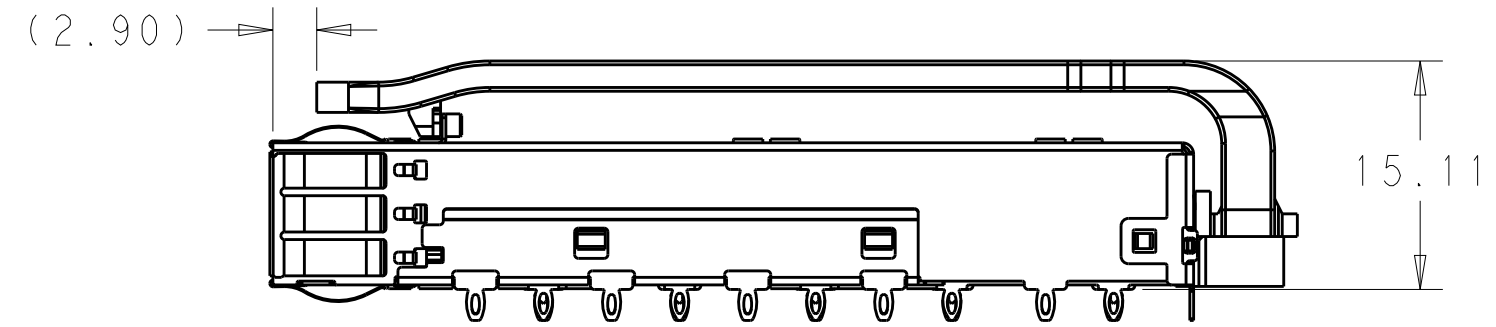
REVISIONS				
P	LTR	DESCRIPTION	DATE	APVD
-		SEE SHEET 1	-	-



2170746-5
 WITH QUAD LIGHT PIPE
 SCALE 2:1



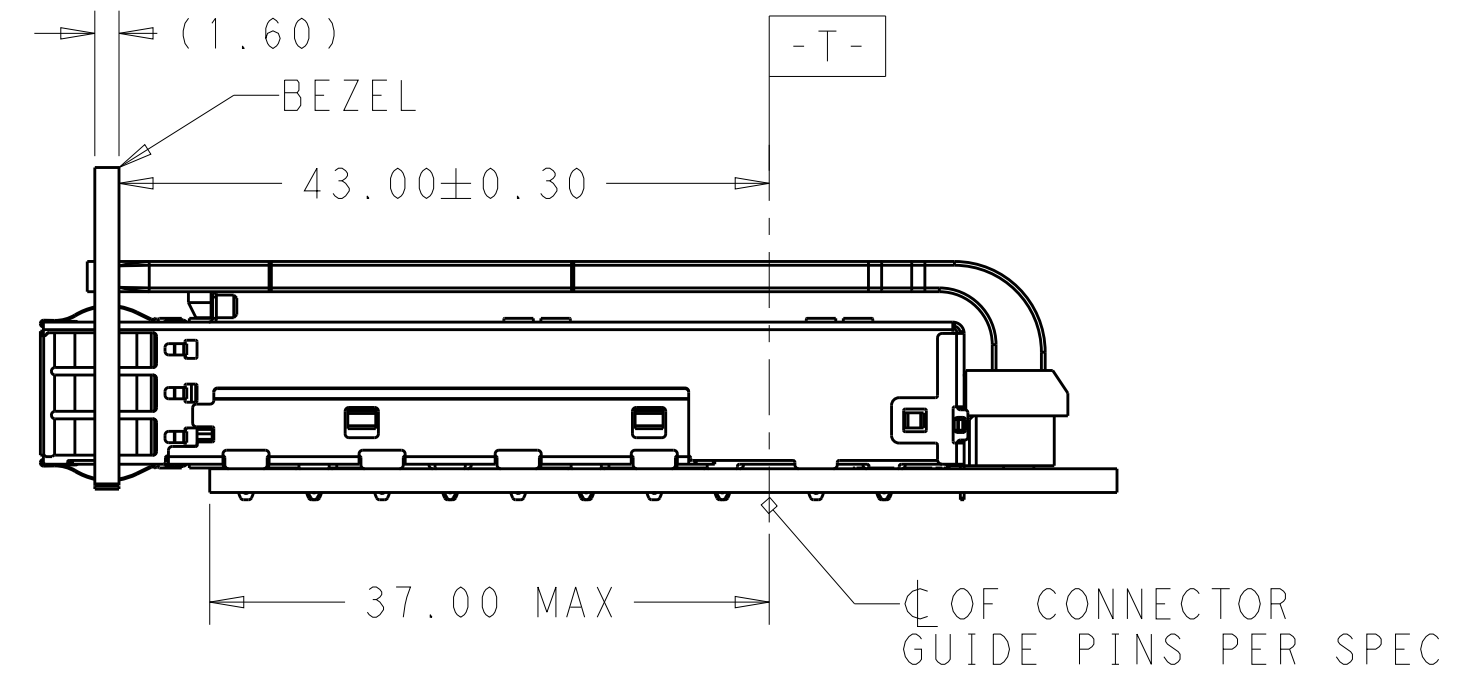
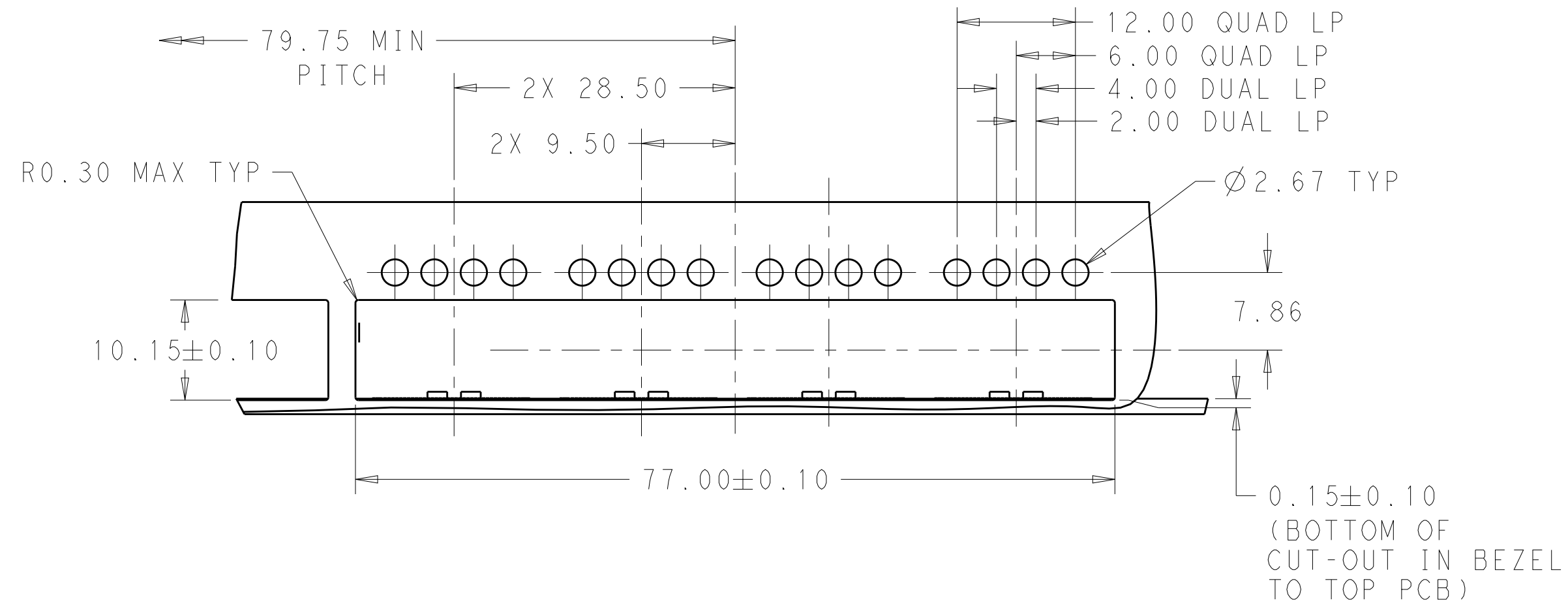
SCALE 2:1



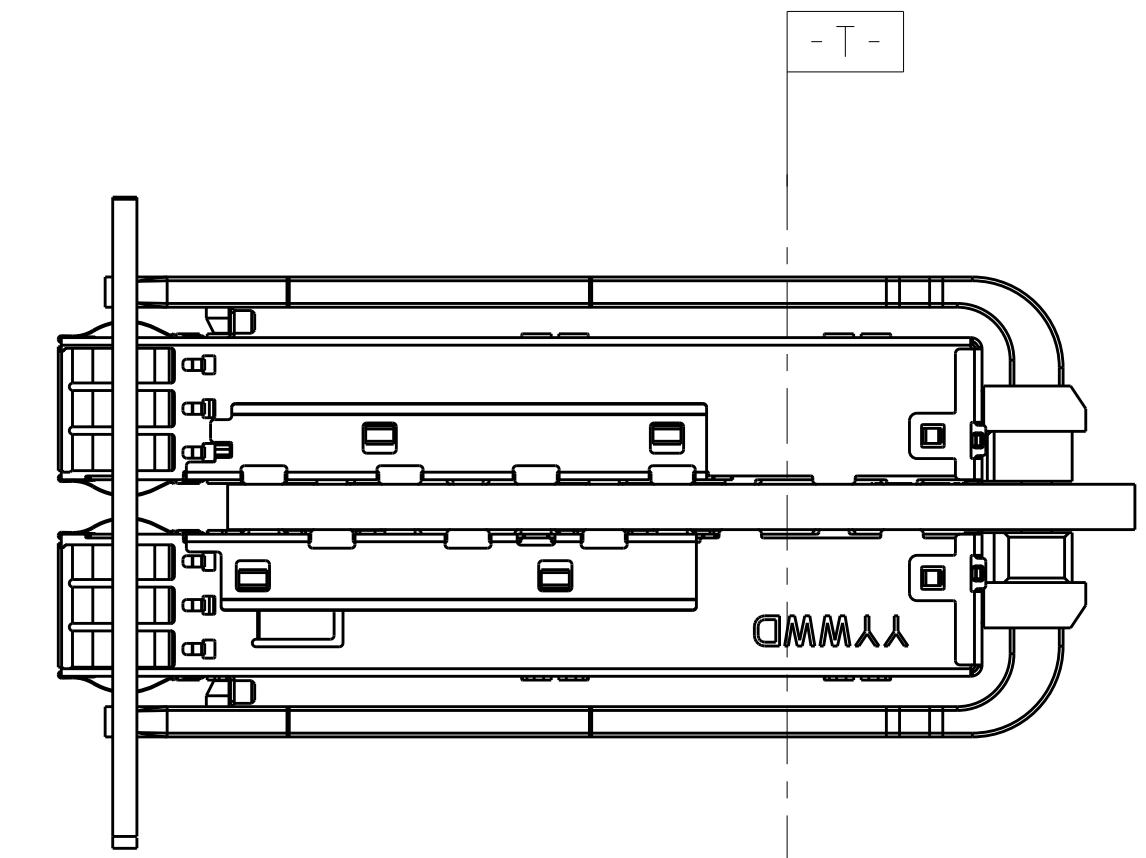
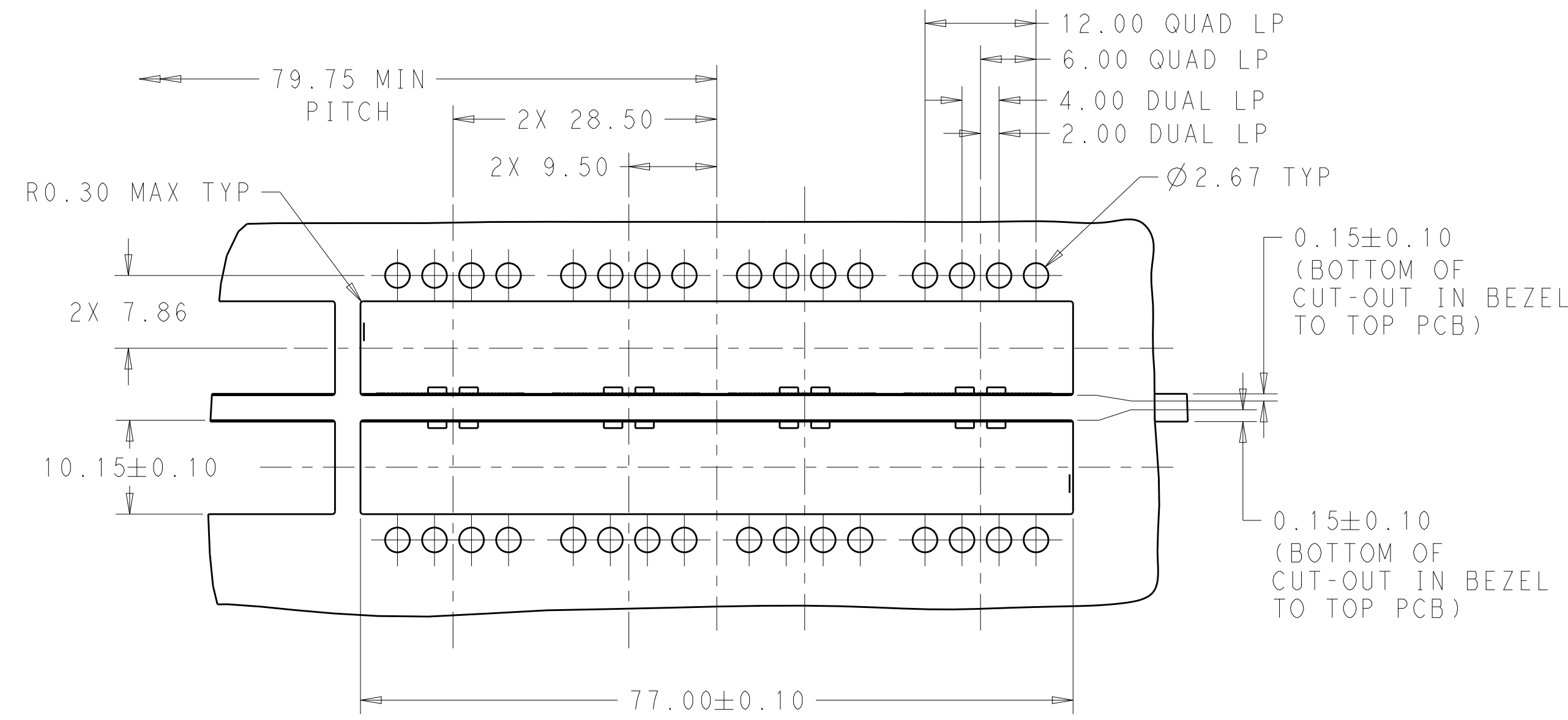
THIS DRAWING IS A CONTROLLED DOCUMENT.		DWN 04JUN2014 JASON YANG	STE TE Connectivity															
		CHK 08NOV2016 SEAN HAN																
DIMENSIONS: mm		TOLERANCES UNLESS OTHERWISE SPECIFIED:		NAME RECEPTACLE CAGE ASSEMBLY WITH LIGHT PIPES, THRU BEZEL, 1X4, QSFP28														
<table border="0"> <tr><td>0 PLC</td><td>±</td></tr> <tr><td>1 PLC</td><td>±0.25</td></tr> <tr><td>2 PLC</td><td>±0.2</td></tr> <tr><td>3 PLC</td><td>±</td></tr> <tr><td>4 PLC</td><td>±</td></tr> <tr><td>ANGLES</td><td>±</td></tr> <tr><td>FINISH</td><td>±</td></tr> </table>		0 PLC	±	1 PLC	±0.25	2 PLC	±0.2	3 PLC	±	4 PLC	±	ANGLES	±	FINISH	±	PRODUCT SPEC 108-19428	SIZE 114-32023	RESTRICTED TO -
0 PLC	±																	
1 PLC	±0.25																	
2 PLC	±0.2																	
3 PLC	±																	
4 PLC	±																	
ANGLES	±																	
FINISH	±																	
MATERIAL SEE NOTES	SEE NOTES	APVD -	WEIGHT -	SCALE 3:1 SHEET 3 OF 7 REV B														
		CUSTOMER DRAWING																

THIS DRAWING IS UNPUBLISHED. RELEASED FOR PUBLICATION 20
 © COPYRIGHT 20 BY - ALL RIGHTS RESERVED.

REVISIONS				
P	LTR	DESCRIPTION	DATE	APVD
-	-	SEE SHEET 1	-	-



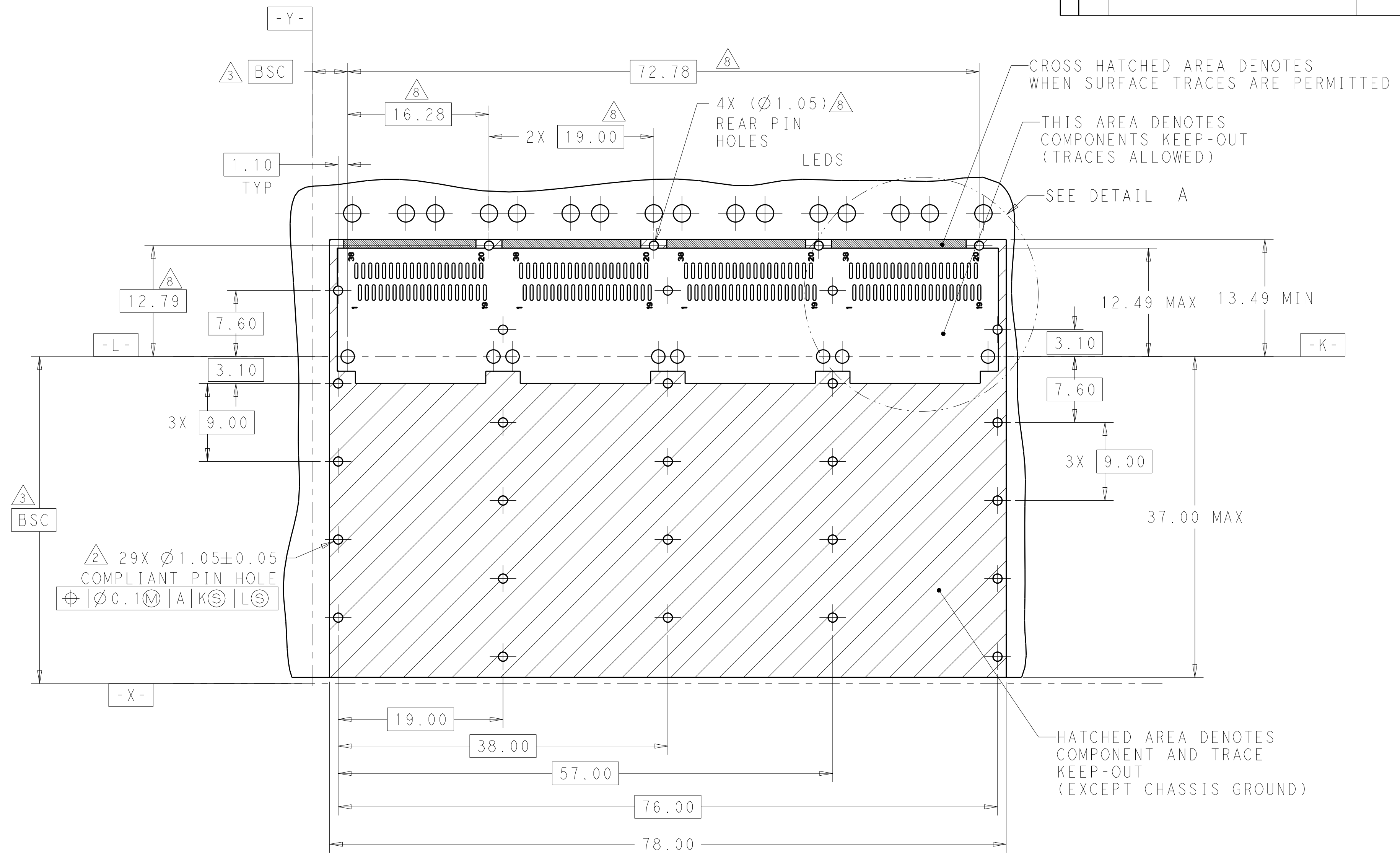
SINGLE SIDE MOUNTING
SCALE 2:1



BELLY TO BELLY MOUNTING
SCALE 2:1

THIS DRAWING IS A CONTROLLED DOCUMENT.		DWN JASON YANG 04JUN2014	TE Connectivity	
		CHK SEAN HAN 08NOV2016		
DIMENSIONS:	TOLERANCES UNLESS OTHERWISE SPECIFIED:	APVD	NAME	
mm	0 PLC ± 1 PLC ±0.25 2 PLC ±0.2 3 PLC ± 4 PLC ±	-	RECEPTACLE CAGE ASSEMBLY WITH LIGHT PIPES, THRU BEZEL, 1X4, QSFP28	
	ANGLES ±	PRODUCT SPEC	SIZE	CAGE CODE
MATERIAL	FINISH	108-19428	114-32023	DRAWING NO
SEE NOTES	SEE NOTES	APPLICATION SPEC	WEIGHT	A200779C-2170746
		CUSTOMER DRAWING	SCALE	RESTRICTED TO
			3:1	-
			SHEET	REV
			4 OF 7	B

REVISIONS				
P	LTR	DESCRIPTION	DATE	APVD
-	-	SEE SHEET 1	-	-

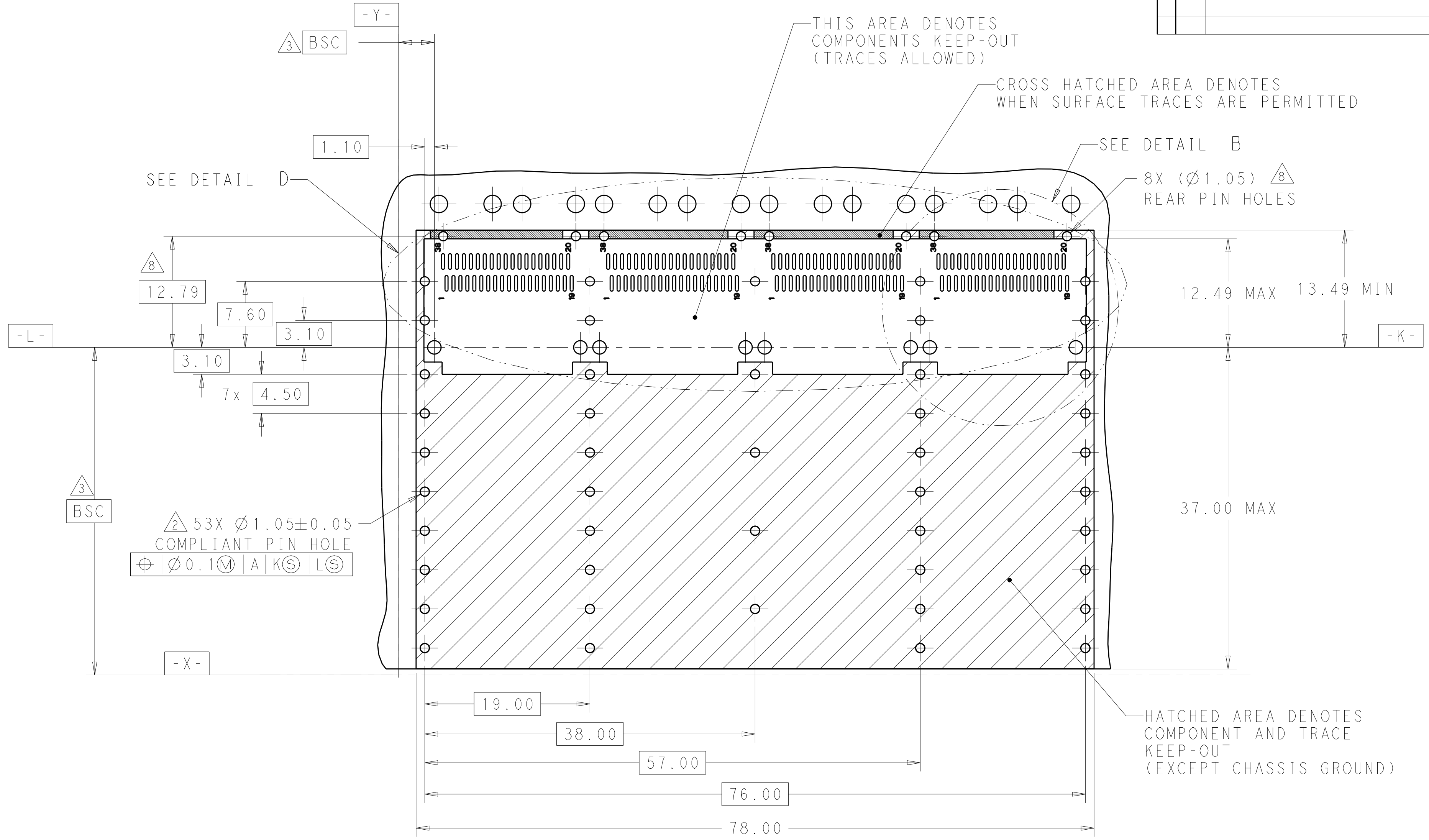


RECOMMENDED PCB LAYOUT
 SINGLE TYPE
 PCB TOLERANCE: ±0.05
 SCALE 3:1

THIS DRAWING IS A CONTROLLED DOCUMENT.		DWN JASON YANG 04JUN2014	TE Connectivity	
		CHK SEAN HAN 08NOV2016		
DIMENSIONS: mm		APVD -	NAME RECEPTACLE CAGE ASSEMBLY WITH LIGHT PIPES, THRU BEZEL, 1X4, QSFP28	
TOLERANCES UNLESS OTHERWISE SPECIFIED: 0 PLC ± 1 PLC ±0.25 2 PLC ±0.2 3 PLC ± 4 PLC ± ANGLES ± FINISH ±		PRODUCT SPEC 108-19428	SIZE A200779	
MATERIAL SEE NOTES		APPLICATION SPEC 114-32023	DRAWING NO C-2170746	
		WEIGHT -	RESTRICTED TO -	
		CUSTOMER DRAWING	SCALE 3:1 SHEET 5 OF 7 REV B	

THIS DRAWING IS UNPUBLISHED. RELEASED FOR PUBLICATION 20
 © COPYRIGHT 20 BY - ALL RIGHTS RESERVED.

REVISIONS				
P	LTR	DESCRIPTION	DATE	APVD
-	-	SEE SHEET 1	-	-

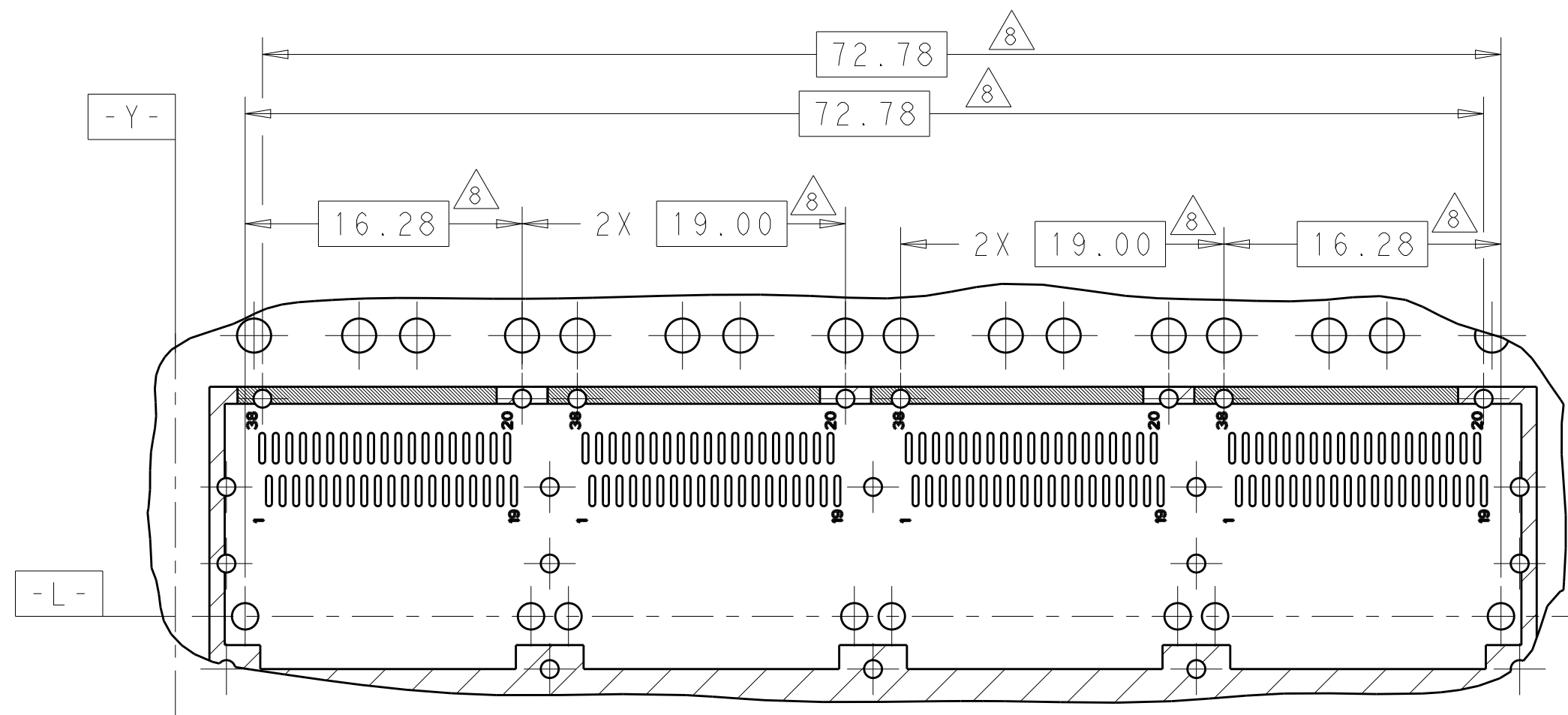


RECOMMENDED PCB LAYOUT
 BELLY TO BELLY TYPE
 PCB TOLERANCE: ±0.05
 SCALE 3:1

THIS DRAWING IS A CONTROLLED DOCUMENT.		DWN JASON YANG 04JUN2014	TE Connectivity	
		CHK SEAN HAN 08NOV2016		
DIMENSIONS: mm		APVD -		NAME RECEPTACLE CAGE ASSEMBLY WITH LIGHT PIPES, THRU BEZEL, 1X4, QSFP28
TOLERANCES UNLESS OTHERWISE SPECIFIED: 0 PLC ± 1 PLC ±0.25 2 PLC ±0.2 3 PLC ± 4 PLC ± ANGLES ± FINISH		PRODUCT SPEC 108-19428		SIZE A200779
MATERIAL SEE NOTES		APPLICATION SPEC 114-32023		DRAWING NO C-2170746
		WEIGHT -		RESTRICTED TO -
		CUSTOMER DRAWING		SCALE 3:1 SHEET 6 OF 7 REV B

THIS DRAWING IS UNPUBLISHED. RELEASED FOR PUBLICATION 20
 © COPYRIGHT 20 BY - ALL RIGHTS RESERVED.

REVISIONS				
P	LTR	DESCRIPTION	DATE	APVD
-	-	SEE SHEET 1	-	-



DETAIL D
SCALE 3:1

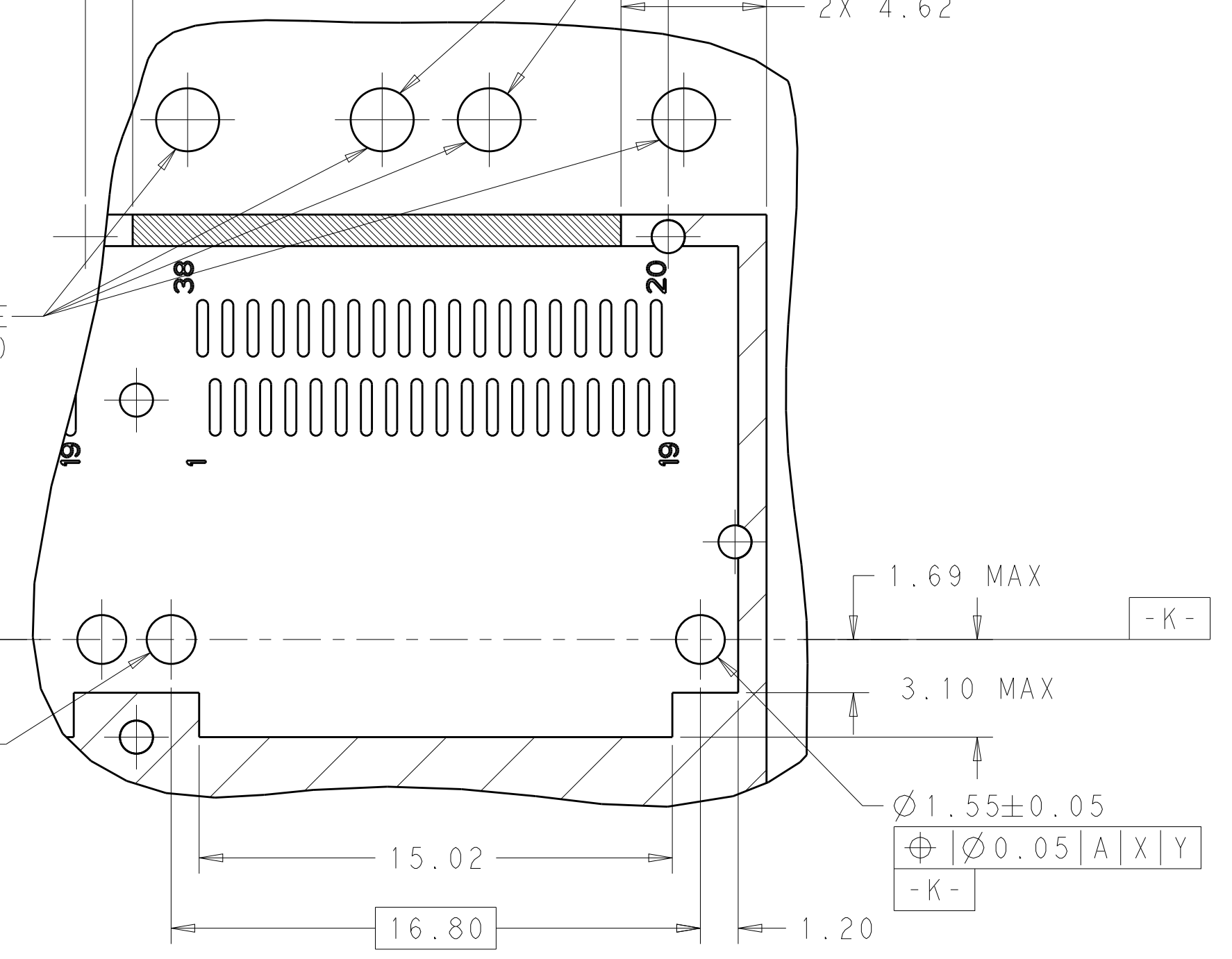
DUAL LIGHT PIPE LAYOUT (CENTER LINE)



QUAD LIGHT PIPE LAYOUT (CENTER LINE)



DETAIL B
SCALE 6:1



DETAIL A
SCALE 6:1

Ø 1.55 ± 0.05
 ⊕ | Ø 0.05 | A | X | Y
 -L-

Ø 1.55 ± 0.05
 ⊕ | Ø 0.05 | A | X | Y
 -K-

Ø 1.55 ± 0.05
 ⊕ | Ø 0.05 | A | X | Y
 -K-

THIS DRAWING IS A CONTROLLED DOCUMENT.		DWN 04JUN2014 JASON YANG	TE Connectivity	
		CHK 08NOV2016 SEAN HAN		
DIMENSIONS:	TOLERANCES UNLESS OTHERWISE SPECIFIED:	APVD -	NAME	RECEPTACLE CAGE ASSEMBLY WITH LIGHT PIPES, THRU BEZEL, 1X4, QSFP28
mm	0 PLC ± 1 PLC ±0.25 2 PLC ±0.2 3 PLC ± 4 PLC ± ANGLES ± FINISH	PRODUCT SPEC 108-19428	SIZE	A200779
MATERIAL SEE NOTES	SEE NOTES	APPLICATION SPEC 114-32023	CAGE CODE	C-2170746
		WEIGHT -	DRAWING NO	RESTRICTED TO -
		CUSTOMER DRAWING	SCALE 3:1	SHEET 7 OF 7 REV B

单击下面可查看定价，库存，交付和生命周期等信息

[>>TE Connectivity\(泰科\)](#)