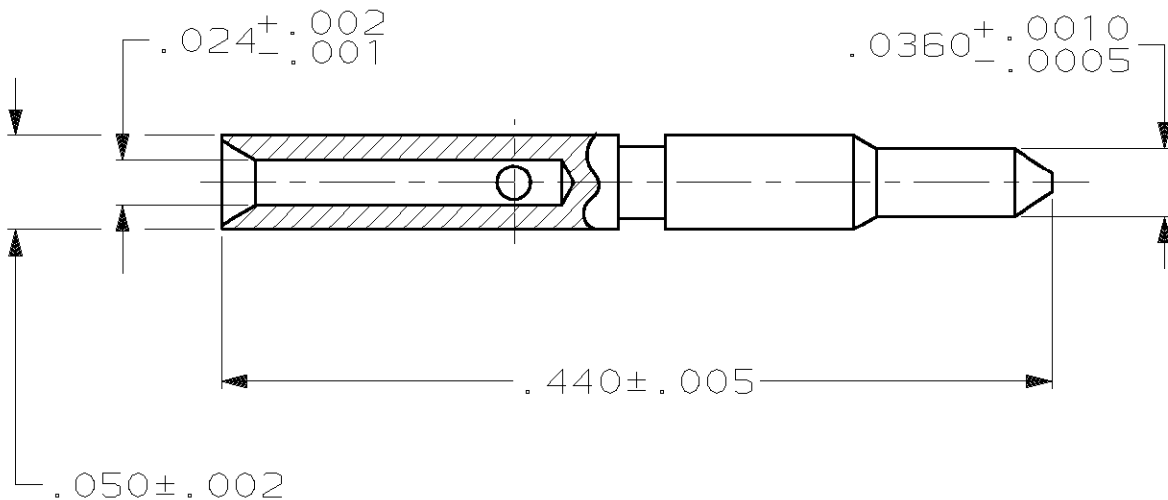




LOC AJ	DIST 16	P	F	REVISIONS			
				LTR	DESCRIPTION	DATE	APPROVED
				A	REV PER OU20-0171-99	10NOV99	MO



THIS DRAWING IS UNPUBLISHED. RELEASED FOR PUBLICATION BY AMP INCORPORATED. ALL INTERNATIONAL RIGHTS RESERVED. © COPYRIGHT 19

447869-2
PART NUMBER

DO NOT SCALE PRINT. UNLESS SPECIFIED DIMENSIONS IN INCHES TOLERANCES ON:
 2 PLC DEC ± -
 3 PLC DEC ± -
 ANGLES ± -

MATERIAL
 BRASS
 PER QQ-B-626

FINISH
 GOLD
 PER MIL-G-45204

DR 5-10-91
 M.E.PASTAL

CHK -
 APPD -
 APPD -
 PRODUCT SPEC -
 APPLICATION SPEC -
 WEIGHT -

AMP AMP Incorporated
 Harrisburg, PA 17105-3608

NAME
 CONTACT, PLUG, SMA

SIZE A	CAGE CODE 00779	DRAWING NO 447869-2
SCALE 10:1	SHEET 1 OF 1	

单击下面可查看定价，库存，交付和生命周期等信息

[>>TE Connectivity\(泰科\)](#)