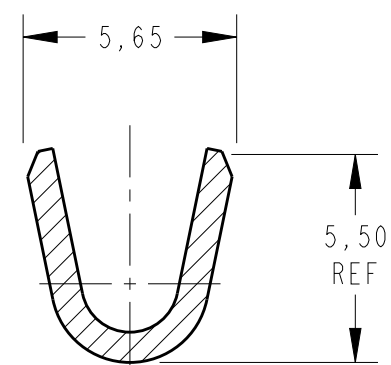
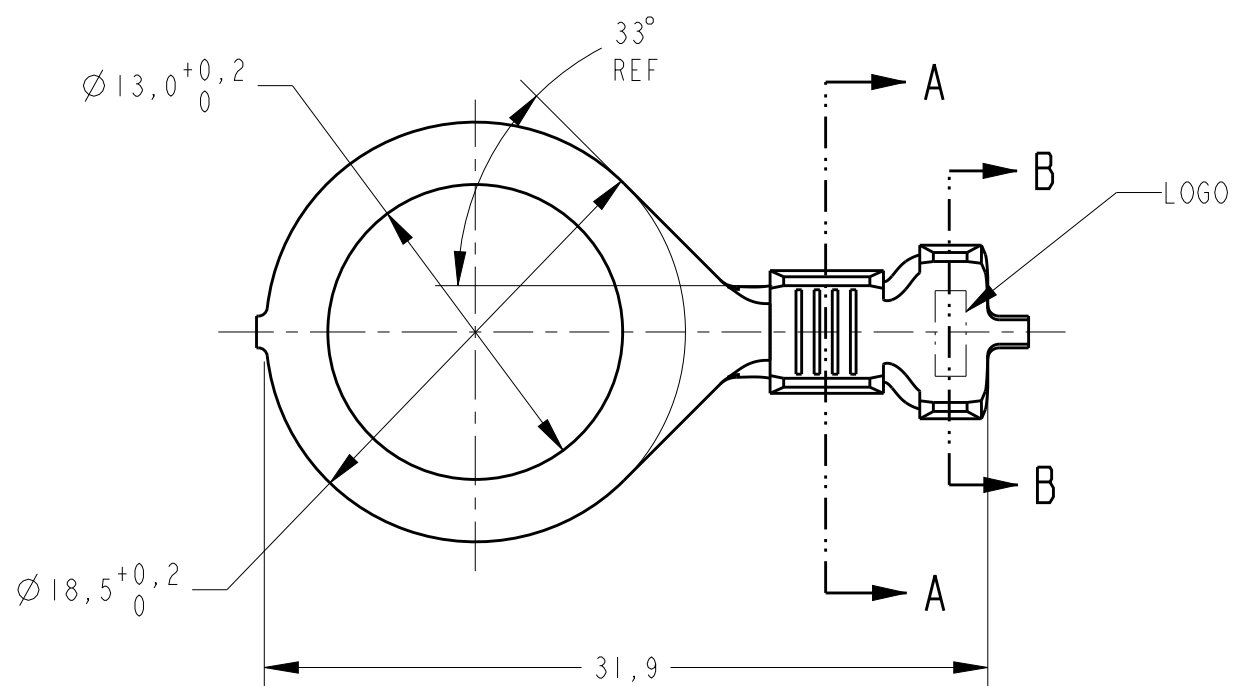


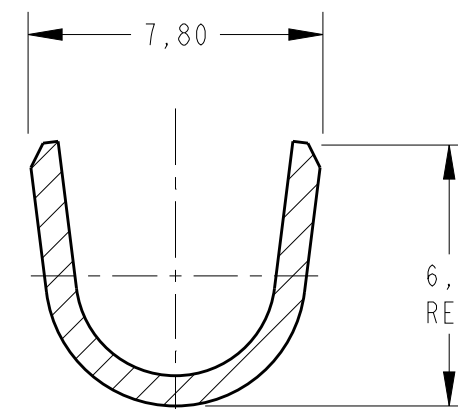
creo
Creo Parametric 2.0
DO NOT REVISE
EXCEPT BY CAD

REVISIONS

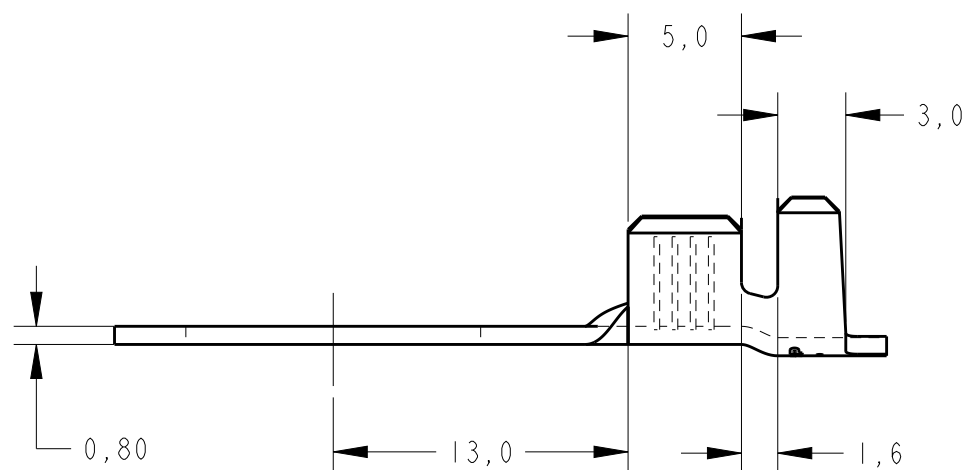
P	LTR	DESCRIPTION	DATE	DWN	APVD
	A1	REDRAWN REV. ECO 16-006124	13JUN2016	HC	WLS



SECTION A-A
SCALE 5:1




SECTION B-B
SCALE 5:1



PERSPECTIVE VIEW
SCALE 1:1

WIRE RANGE	2,5-4,0mm ²
WIRE RANGE	$\varnothing 3,3-4,5$ mm

SL E101-26	ESTANHADO /TINNER	LATÃO / BRASS	881018 -2
OBSOLETE		LATÃO / BRASS	881018 -1
FORD PN	FINISH	MATERIAL	PART NUMBER

THIS DRAWING IS A CONTROLLED DOCUMENT.		DWN NCLAPRESA 21FEB2014	 TE Connectivity NAME - RING TONGUE -				
DIMENSIONS: mm		CHK JRGOLDSCHMIDT 21FEB2014					
TOLERANCES UNLESS OTHERWISE SPECIFIED:		APVD DAOLIVEIRA 21FEB2014					
0 PLC ±- 1 PLC ±0,3 2 PLC ±- 3 PLC ±- 4 PLC ±- ANGLES ±1°		PRODUCT SPEC -					
MATERIAL SEE TABLE		APPLICATION SPEC -	SIZE A3	CAGE CODE -	DRAWING NO C-881018	RESTRICTED TO -	
-		WEIGHT -	Customer Drawing		SCALE 3:1	SHEET 1 OF 1	REV A1

单击下面可查看定价，库存，交付和生命周期等信息

[>>TE Connectivity\(泰科\)](#)