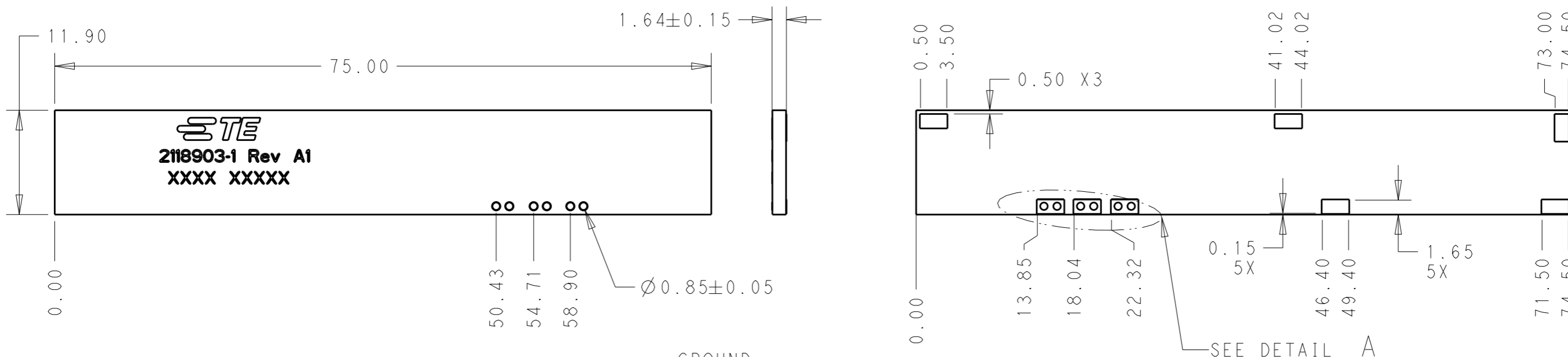


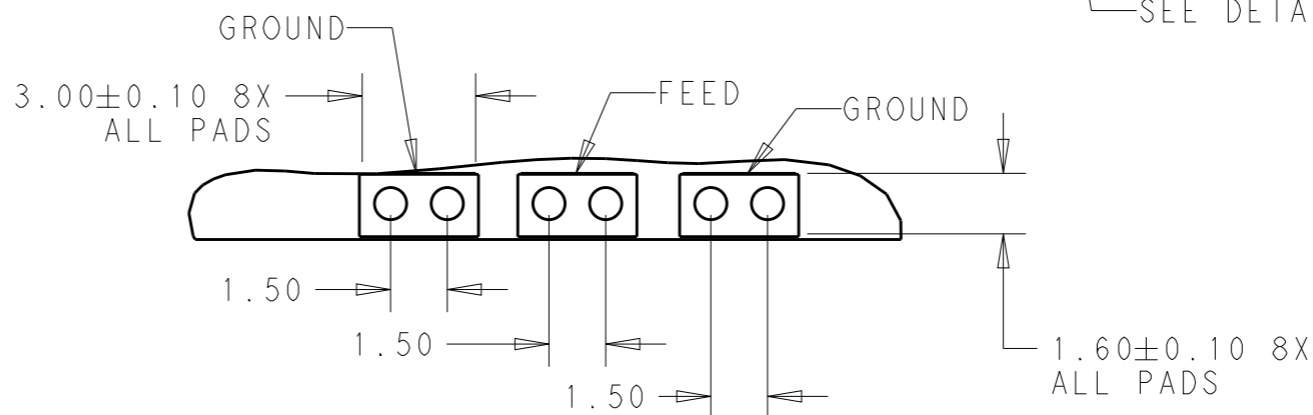
REVISIONS

P	LTR	DESCRIPTION	DATE	DWN	APVD
1		INITIAL RELEASE	28AUG2018	CR	JLM
2		GERBER CHANGES	30OCT2018	CR	JLM
A		PRODUCTION RELEASE	18JAN2019	CR	CR
A1		REVISED PER ECO-19-017855	22SEP2019	SJ	JH



NOTES: UNLESS OTHERWISE SPECIFIED.

- FABRICATE TO MEET IPC - 6012, CLASS 2. INSPECT TO MEET IPC - A - 600, CLASS 2.
- PRIMARY SIDE AND SECONDARY SIDE SHOWN.
- MATERIAL: FR4; COPPER BOTH SIDES DIELECTRIC CONSTANT @ 1MHZ 4.2±0.1.
- FINISH:
A: SOLDERMASK OVER BARE COPPER (SMOBC).
B: MASK BOTH SIDES OF PCB WITH LPI SOLDERMASK. SOLDERMASK COLOR:ORANGE.
C: SMT PADS E.N.I.G PLATED
- PACKAGING: PARTS TO BE SECURELY VACUUM PACKAGED IN BULK.
- PRODUCT AND PROCESSING MEET REQUIREMENTS OF TE CONNECTIVITY ENVIROMENTAL STANDARD TEC-138-702. LOW HALOGEN: CODE2:LOW Br/Cl PER TEC-138-702
- SILKSCREEN; WHITE EPOXY INK
A. TE LOGO, TE P/N
B. WORD REV., FOLLOWED BY THE LATEST REVISION LETTER, AS SHOWN.
C. 4 DIGIT DATE CODE. FIRST 2 DIGITS FOR THE WEEK CODE AND THE 2ND TWO DIGITS FOR THE YEAR CODE. SPECIFIC TE VENDOR CODE NUMBER DIGITS AS REQUIRED.



DETAIL A
SCALE 5:1

BULK PACKAGING	2118903-1
DESCRIPTION	PART NUMBER

THIS DRAWING IS A CONTROLLED DOCUMENT.		DWN C. REGUS 28AUG2018	TE Connectivity	
DIMENSIONS: mm		CHK C. REGUS 28AUG2018		
TOLERANCES UNLESS OTHERWISE SPECIFIED:		APVD J. MOORE 28AUG2018	NAME ANTENNA, LTE	
0 PLC ±.5		PRODUCT SPEC	-	
1 PLC ±0.25		APPLICATION SPEC	-	
2 PLC ±0.13		WEIGHT	-	
3 PLC ±0.0001		CUSTOMER DRAWING	SIZE A3	CAGE CODE 00779
4 PLC ±.5		FINISH	DRAWING NO C-2118903	RESTRICTED TO
MATERIAL		SCALE 2:1	SHEET 1 OF 1	REV A1

单击下面可查看定价，库存，交付和生命周期等信息

[>>TE Connectivity\(泰科\)](#)