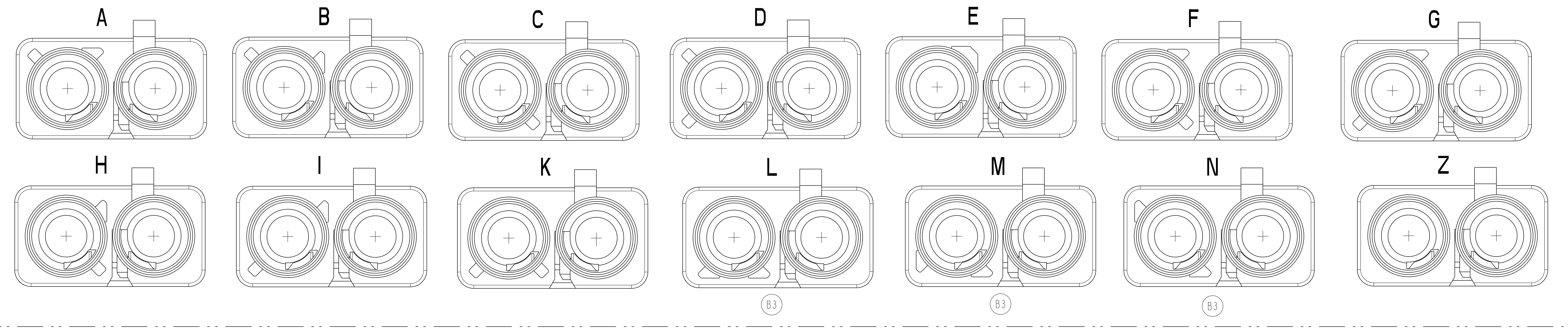
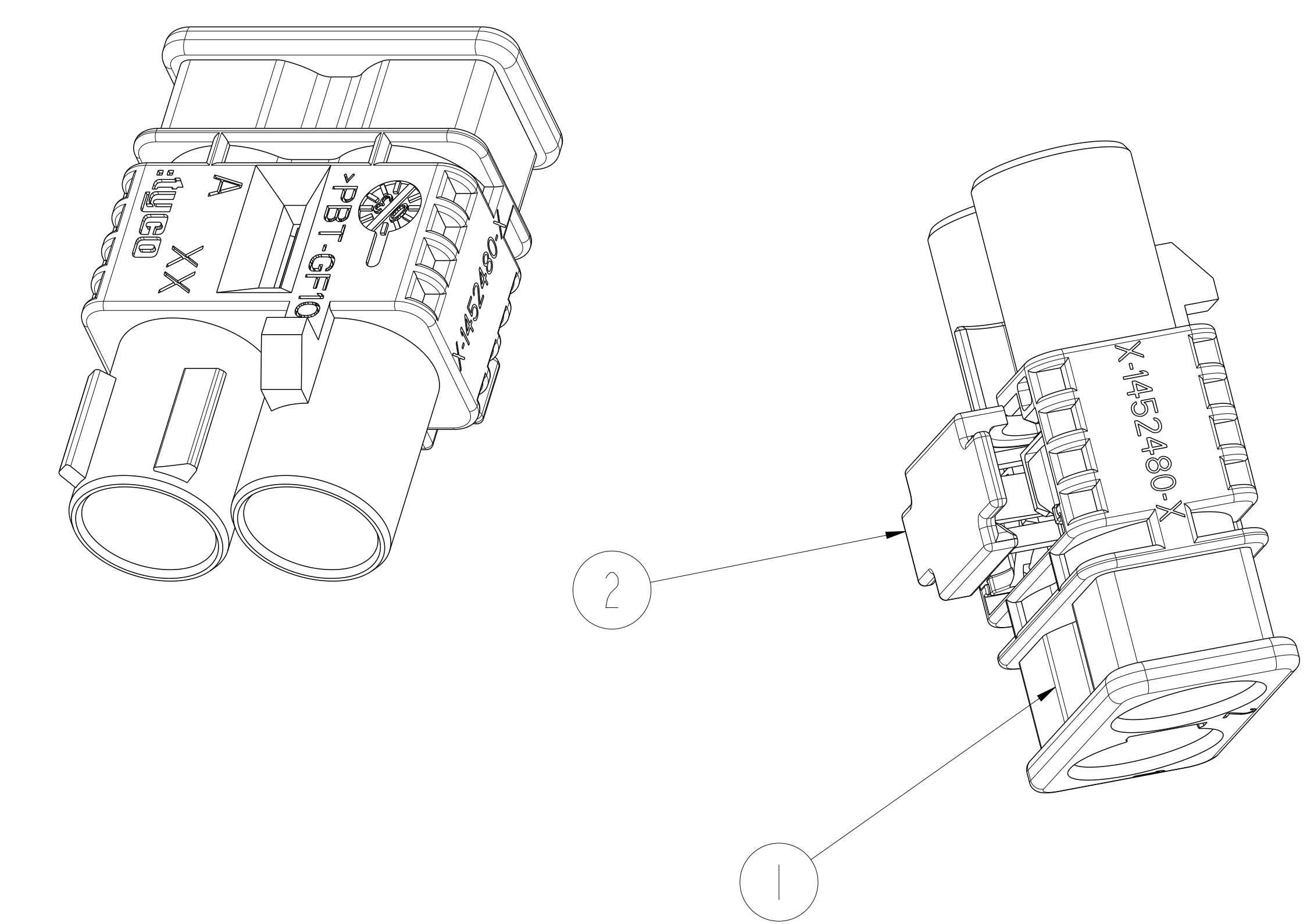


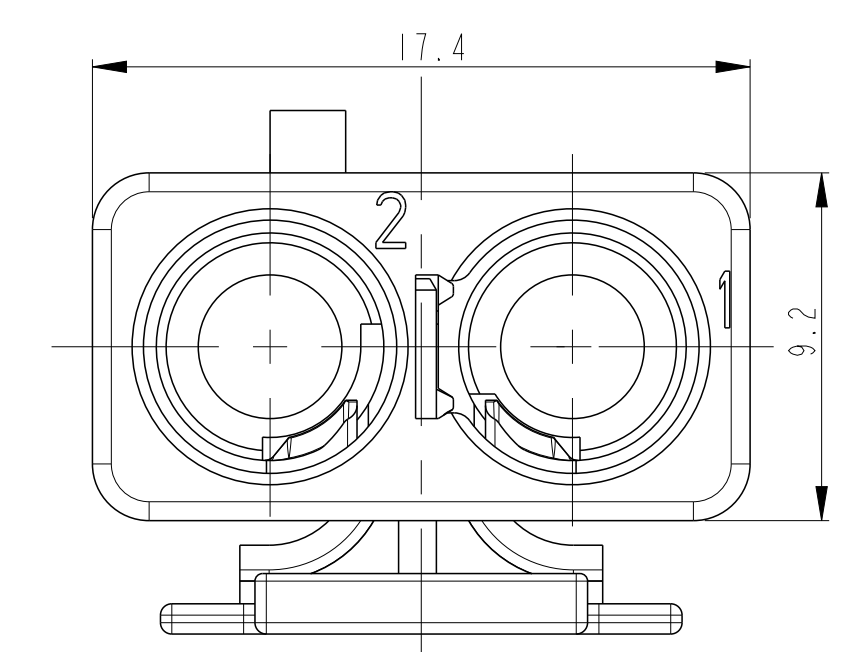
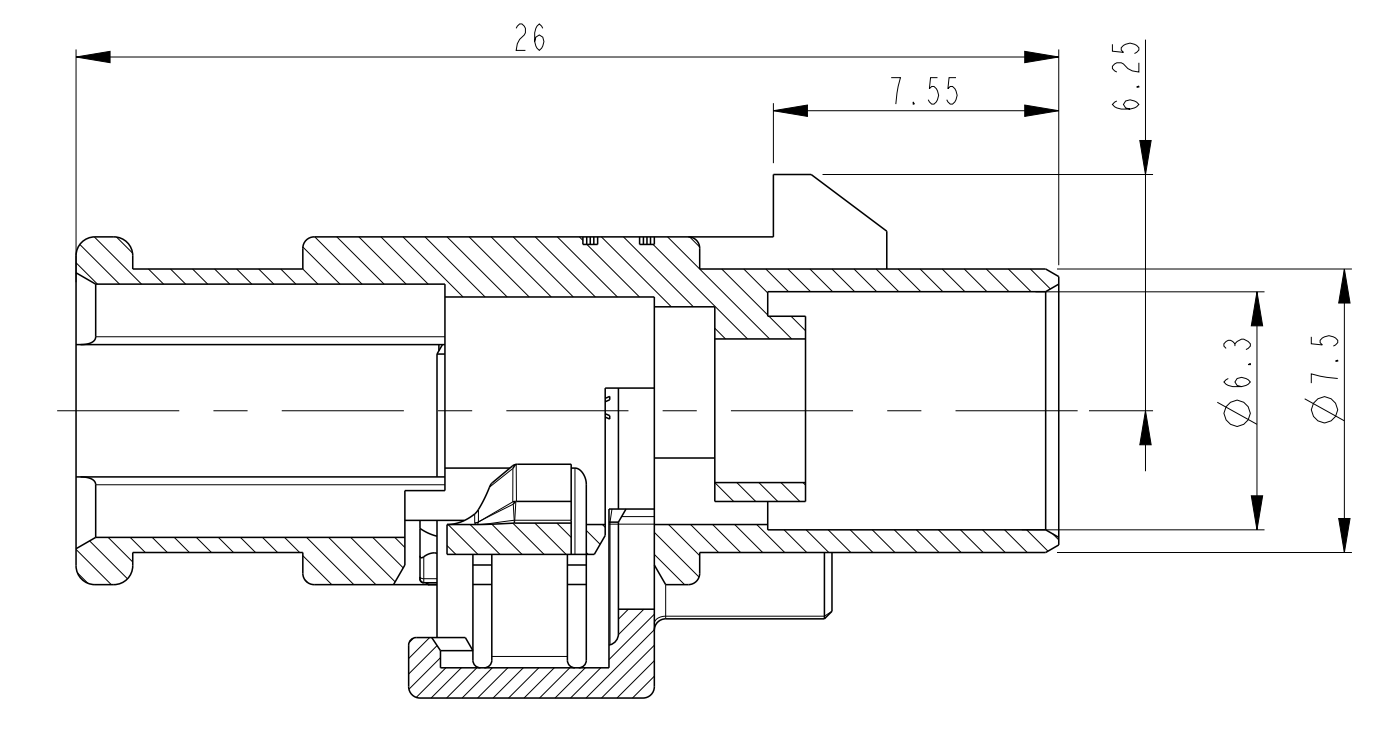
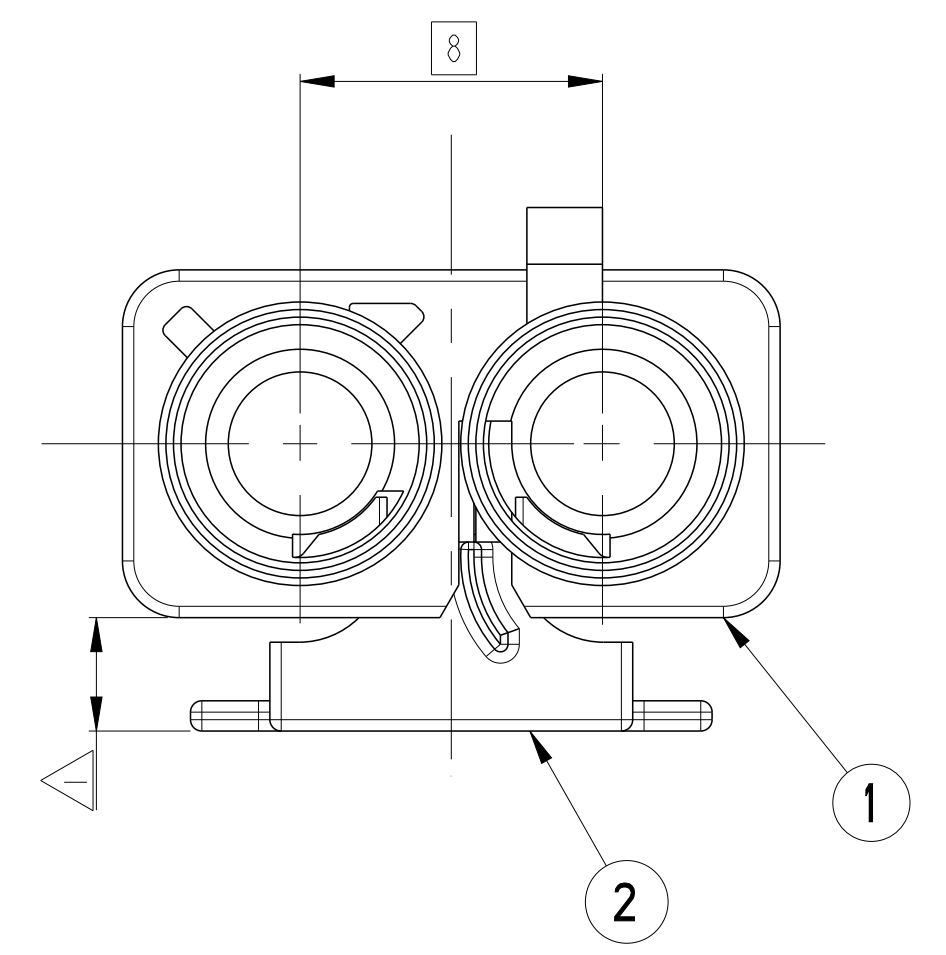
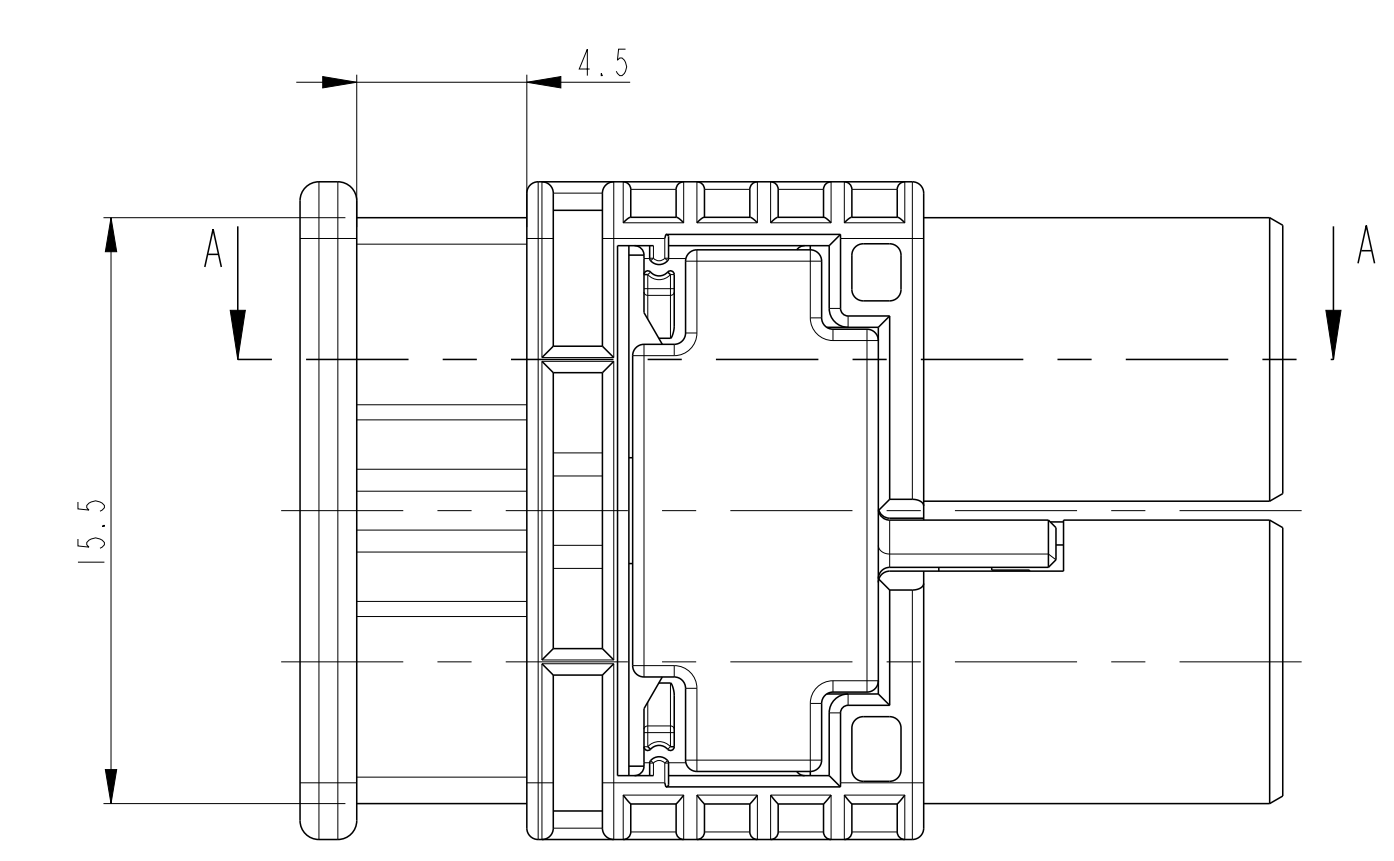
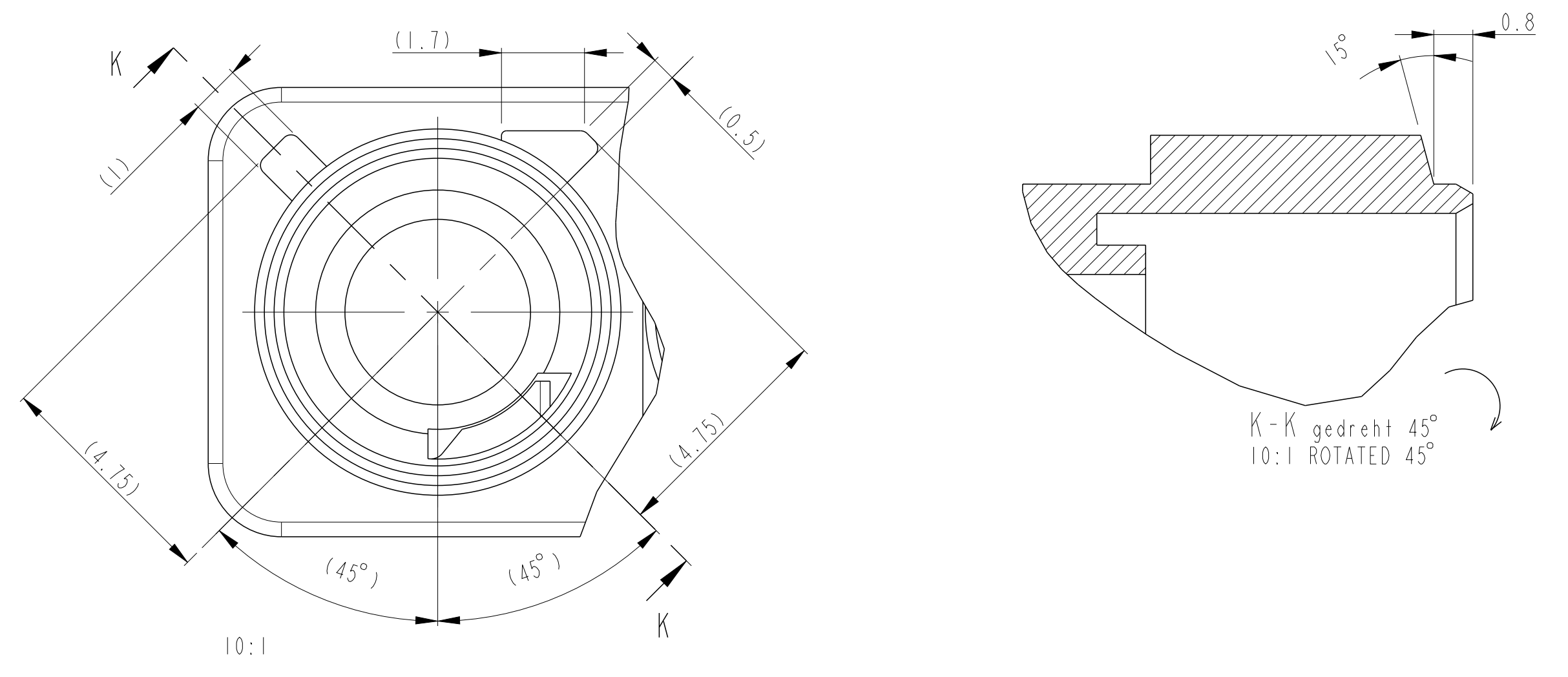
**Kodierungen
CODINGS**



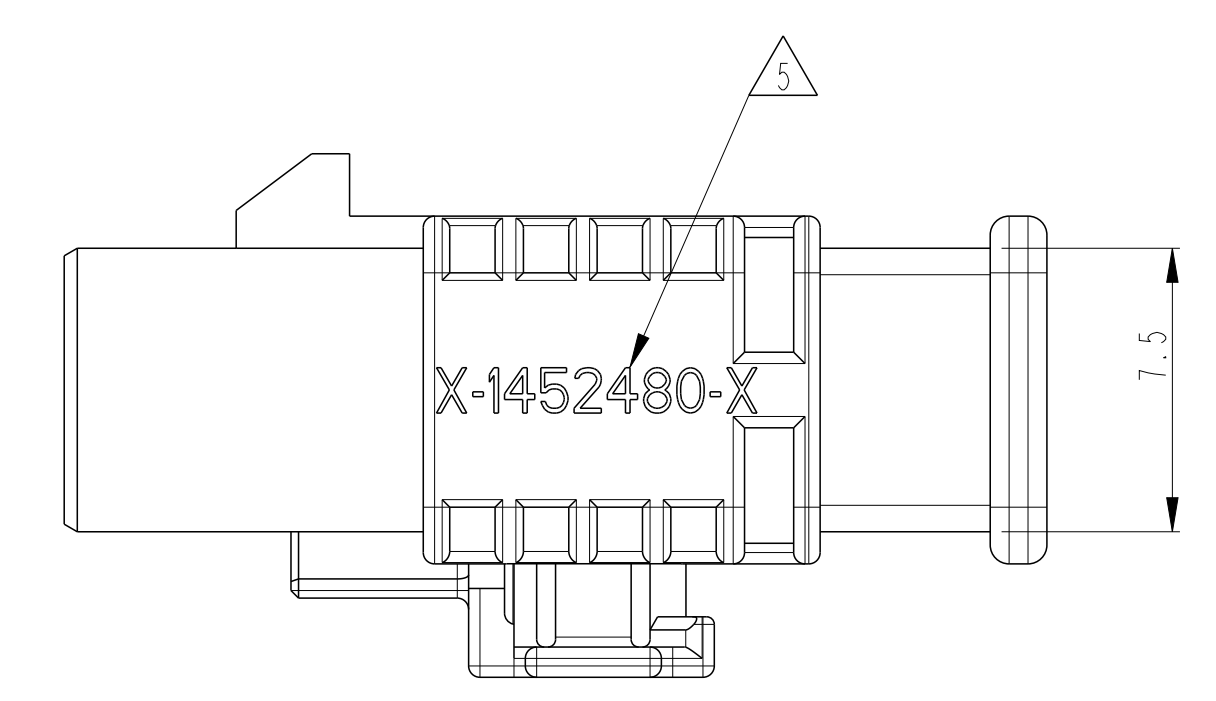
REVISIONS				
NO.	DATE	DESCRIPTION	BY	APPD.
B	19NOV2003	SEE PCN EGA0-0170-03	CF	HR
B1	25JAN2005	SEE PCN EGA0-0119-05	CF	HR
B2	20FEB2006	E-06-4513	CF	HR
B3	16MAY2014	E-16-003302	S.N.	U.G.



**BEMESSUNG DER KODIERRIPPEN GEMAESS FAKRA 2
(BEZIEHT SICH AUF ALLE KODIERRIPPEN)
DIMENSIONS OF THE KEY CODING RIBS ACCORDING TO FAKRA 2
(APPLY TO ALL CODING RIBS)**



- Bemerkungen
NOTES**
- △ Sekundaerriegelung in Vorraststellung
RETAINER IN PRE-SET POSITION
 - 2 0-1452480-1 wie gezeichnet
0-1452480-1 AS SHOWN
 - 3 Im gesteckten Zustand muessen die elektrischen und mechanischen Anforderungen nach FAKRA und IEC 169-10 erfuellt werden
THE CONNECTOR HAS TO FULLFILL THE MECHANICAL AND ELECTRICAL REQUIREMENTS OF FAKRA AND IEC 169-10
 - 4 Passende Kontakte siehe Kundenzeichnung I488147
SUITABLE TERMINALS SEE CUSTOMER DRAWING I488147
 - △ TE PN nach Tabelle
TE PN ACC. TABLE



TE PN	REV.	DESCRIPTION	CODING	COLOUR Similar RAL No.	QTY	ITEM NO.	SUITABLE FOR
1-1452480-4	B	Sekundaerriegelung RETAINER	N	traffic purple/4006	1	2	3-1452483-4
		2pol Kupplergehaeuse 8mm 2WAY JACK HOUSING 8MM		pastel green/6019	1	1	1-1452483-4
1-1452480-3	B	Sekundaerriegelung RETAINER	M	traffic purple/4006	1	2	3-1452483-3
		2pol Kupplergehaeuse 8mm 2WAY JACK HOUSING 8MM		pastel orange/2003	1	1	1-1452483-3
1-1452480-2	B	Sekundaerriegelung RETAINER	L	traffic purple/4006	1	2	3-1452483-2
		2pol Kupplergehaeuse 8mm 2WAY JACK HOUSING 8MM		carmine red/3002	1	1	1-1452483-2
1-1452480-1	B	Sekundaerriegelung RETAINER	Z	traffic purple/4006	1	2	3-1452483-1
		2pol Kupplergehaeuse 8mm 2WAY JACK HOUSING 8MM		water blue/5021	1	1	1-1452483-1
1-1452480-0	B	Sekundaerriegelung RETAINER	K	traffic purple/4006	1	2	3-1452483-0
		2pol Kupplergehaeuse 8mm 2WAY JACK HOUSING 8MM		curry/1027	1	1	1-1452483-0
0-1452480-9	B	Sekundaerriegelung RETAINER	I	traffic purple/4006	1	2	2-1452483-9
		2pol Kupplergehaeuse 8mm 2WAY JACK HOUSING 8MM		beige/1001	1	1	0-1452483-9
0-1452480-8	B	Sekundaerriegelung RETAINER	H	traffic purple/4006	1	2	2-1452483-8
		2pol Kupplergehaeuse 8mm 2WAY JACK HOUSING 8MM		violett/4003	1	1	0-1452483-8
0-1452480-7	B	Sekundaerriegelung RETAINER	G	traffic purple/4006	1	2	2-1452483-7
		2pol Kupplergehaeuse 8mm 2WAY JACK HOUSING 8MM		blue grey/7031	1	1	0-1452483-7
0-1452480-6	B	Sekundaerriegelung RETAINER	F	traffic purple/4006	1	2	2-1452483-6
		2pol Kupplergehaeuse 8mm 2WAY JACK HOUSING 8MM		brown/8011	1	1	0-1452483-6
0-1452480-5	B	Sekundaerriegelung RETAINER	E	traffic purple/4006	1	2	2-1452483-5
		2pol Kupplergehaeuse 8mm 2WAY JACK HOUSING 8MM		green/6002	1	1	0-1452483-5
0-1452480-4	B	Sekundaerriegelung RETAINER	D	traffic purple/4006	1	2	2-1452483-4
		2pol Kupplergehaeuse 8mm 2WAY JACK HOUSING 8MM		claret violett/4004	1	1	0-1452483-4
0-1452480-3	B	Sekundaerriegelung RETAINER	C	traffic purple/4006	1	2	2-1452483-3
		2pol Kupplergehaeuse 8mm 2WAY JACK HOUSING 8MM		blue/5005	1	1	0-1452483-3
0-1452480-2	B	Sekundaerriegelung RETAINER	B	traffic purple/4006	1	2	2-1452483-2
		2pol Kupplergehaeuse 8mm 2WAY JACK HOUSING 8MM		cream/9001	1	1	0-1452483-2
0-1452480-1	B	Sekundaerriegelung RETAINER	A	traffic purple/4006	1	2	2-1452483-1
		2pol Kupplergehaeuse 8mm 2WAY JACK HOUSING 8MM		deep black/9005	1	1	0-1452483-1

THIS DRAWING IS A CONTROLLED DOCUMENT.		DATE: 28APR2003	BY: M. TRAJKOVIC	APPD: J. RIPPER	REV: 1
DIMENSIONS:	UNITS:	SCALE:	PROJECT SPEC:	APPLICATION SPEC:	WEIGHT:
0 P/PC	mm	1:1	108-18897-1	114-18609-1	0.000
1 P/PC					
2 P/PC					
3 P/PC					
4 P/PC					
5 P/PC					
6 P/PC					
7 P/PC					
8 P/PC					
9 P/PC					
10 P/PC					
MATERIAL:	FINISH:	ANGLE:	WEIGHT:	SCALE:	SHEET:
material.2	finish.spec.2			5:1	1 of 1
CUSTOMER DRAWING			SCALE: 5:1 SHEET 1 of 1 REV: B3		

单击下面可查看定价，库存，交付和生命周期等信息

[>>TE Connectivity\(泰科\)](#)