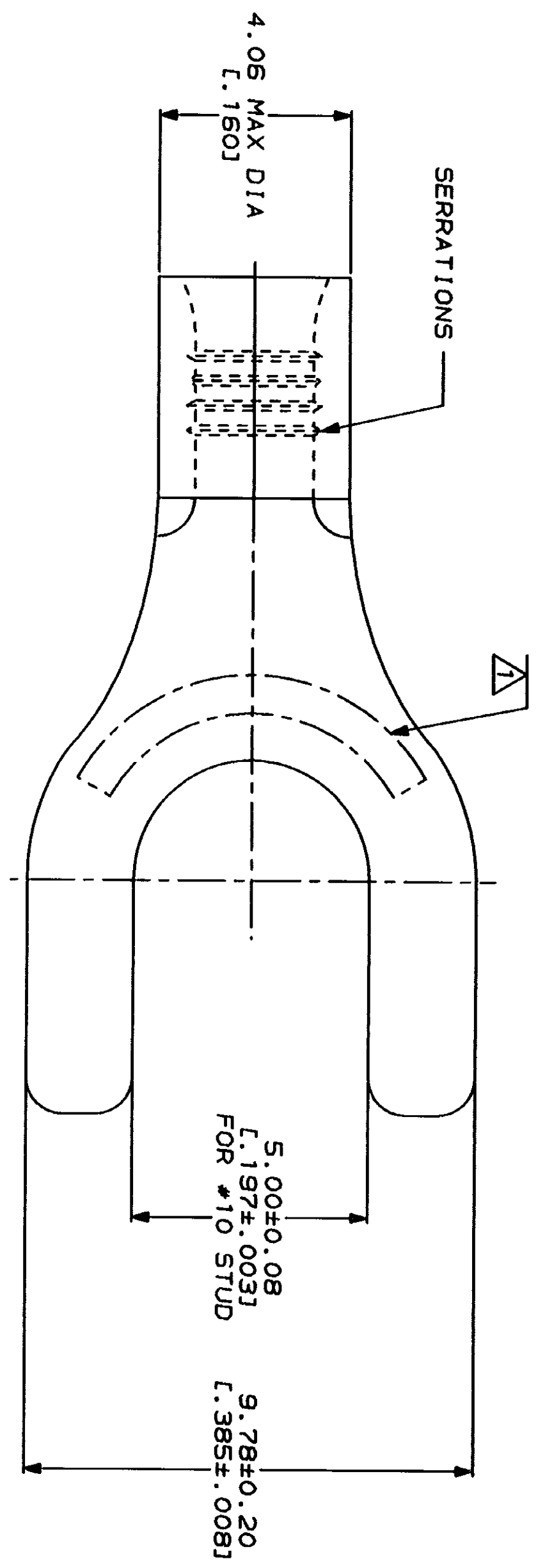


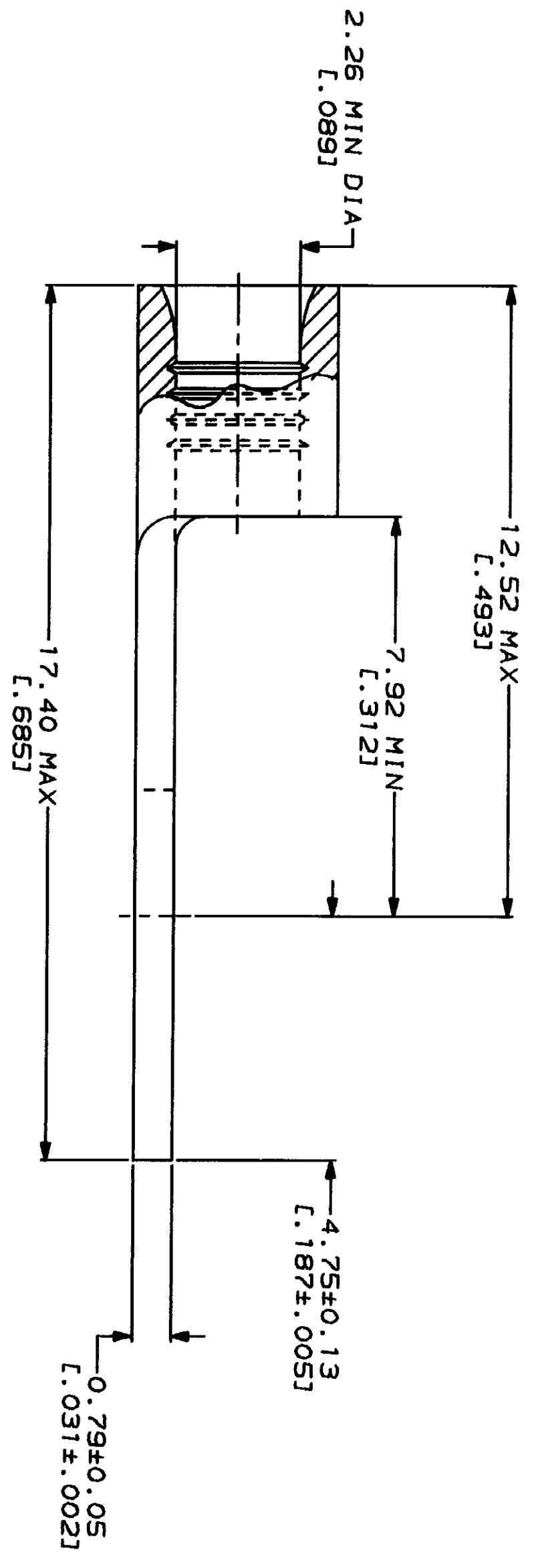
LOC	DIST	ZONE	LTR	DESCRIPTION	DATE	APPD
G	14			REVISED PER 0720-0230-93	2/25/94	DAW

METRIC
 DIMENSIONS LISTED IN mm [INCHES]



AMP WIRE RANGE 16-14 AWG STRANDED	UL E13288 Listed
AMP 16-14 AWG STRANDED	MILITARY P/N AND CLASS
NOT CERTIFIED	NOT APPLICABLE

△ STAMP AMP 16-14* APPROX AS SHOWN



AMP INCORPORATED
CUSTOMER SERVICE SYSTEMS

FOR ADDITIONAL
 PRODUCT INFORMATION OR
 COPIES OF DRAWINGS
 AND TECHNICAL DOCUMENTS
 1-800-522-6752
 PRODUCT INFORMATION CENTER

FOR APPLICATION
 TOOLING INFORMATION
 1-800-722-1111
 TOOLING ASSISTANCE CENTER

FOR ORDER ENTRY
 1-800-526-5142

MAX RECOMMENDED OPERATING
 TEMPERATURE:
 170°C MAX

VOLTAGE RATING:
 NOT APPLICABLE

WIRE CROSS SECTIONAL AREA RANGE:
 1.04-2.62mm² [2,050-5,180] CIR MILS
 STRANDED

DO NOT SCALE PRINT.
 UNLESS SPECIFIED
 DIMENSIONS IN INCHES
 TOLERANCES ON:
 2 PLG DEC ±
 3 PLG DEC ±
 ANGLES ±

DR 2-17-93
 TA BRINKMAN
 CHK 2-17-93
 DA PATTERSON
 APPD 2-17-93
 DE MILLER
 APPD 2-17-93
 JL HECKLEY
 PRODUCT SPEC

AMP
 AMP Incorporated
 Harrisburg, PA 17105-3508

TERMINAL, SPADE TONGUE,
 BUDGET

FINISH TIN PLATE	APPLICATION SPEC	SCALE	10:1
0.00254 [L.000100] MIN THK PER MIL-T-10727	WEIGHT	CAGE CODE	00779
		DRAWING NO	31706

CUSTOMER DRAWING

单击下面可查看定价，库存，交付和生命周期等信息

[>>TE Connectivity\(泰科\)](#)