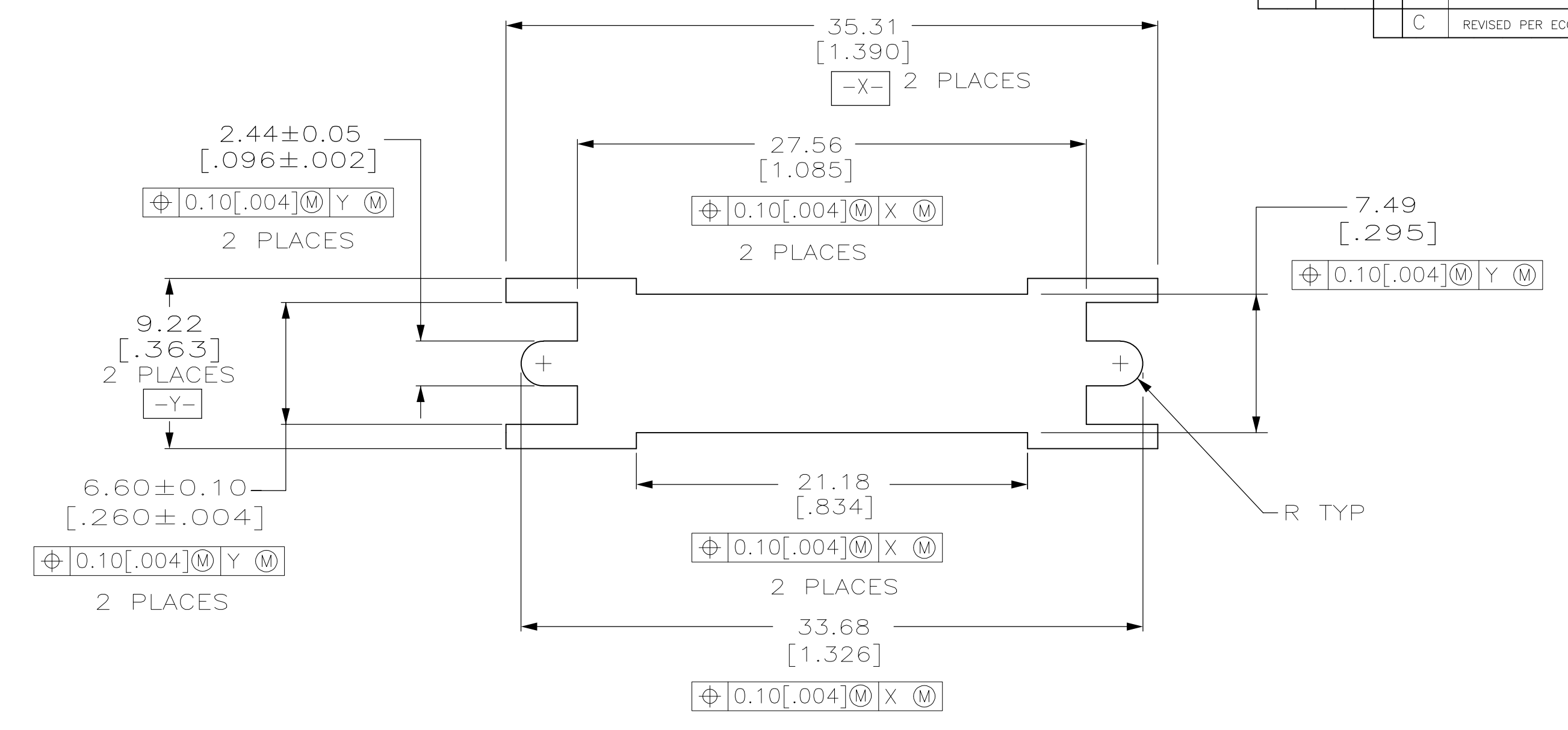
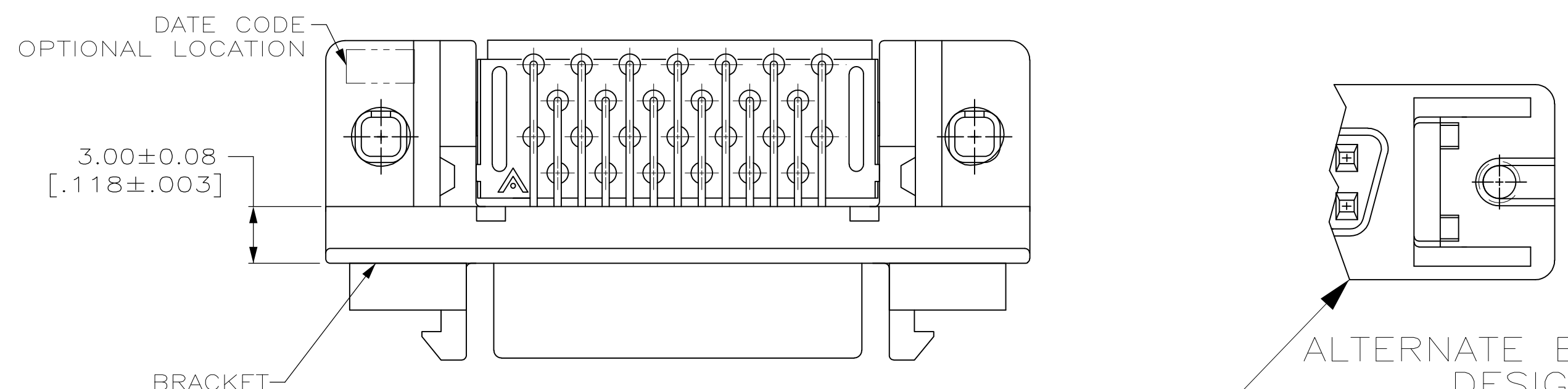


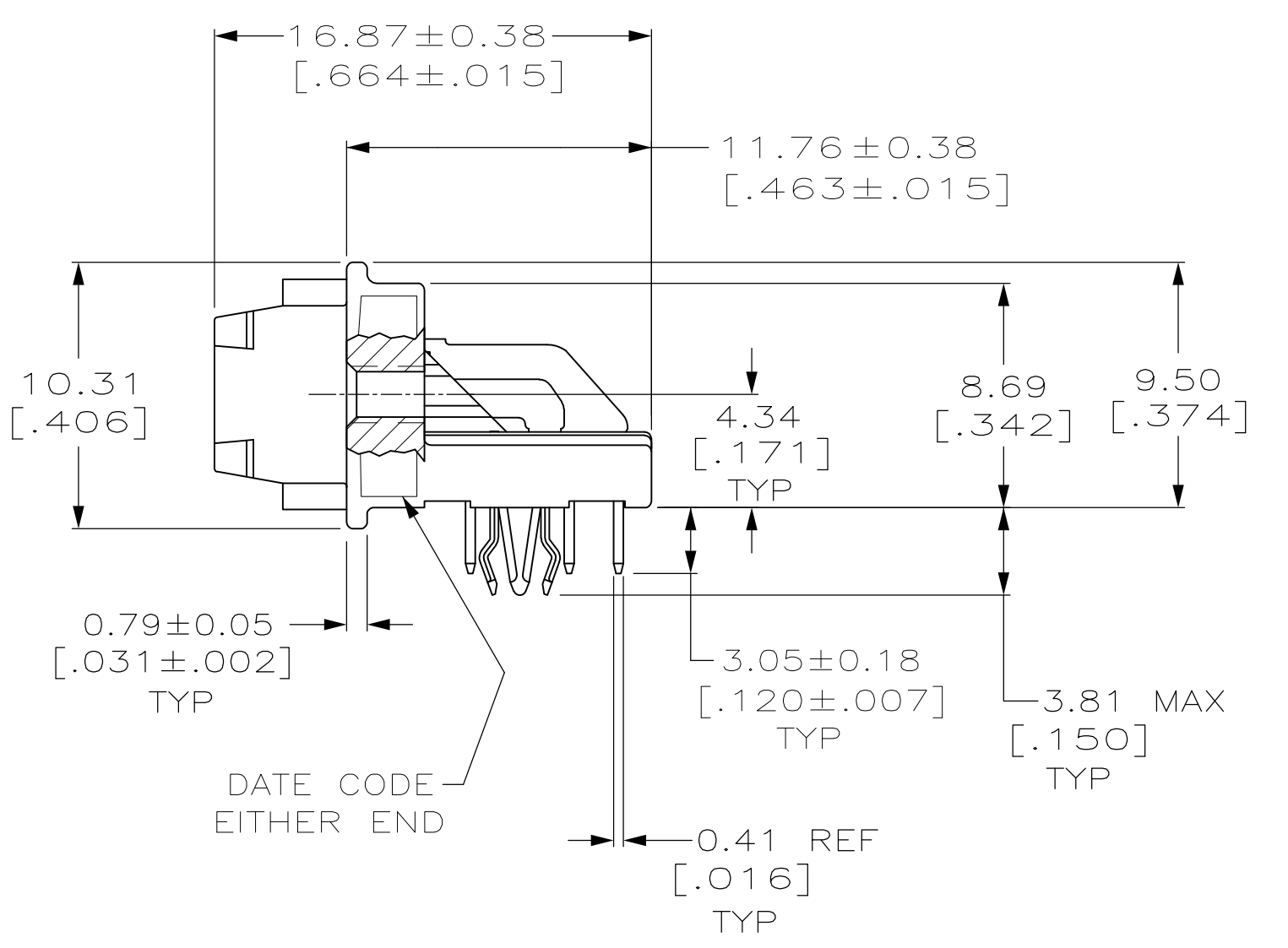
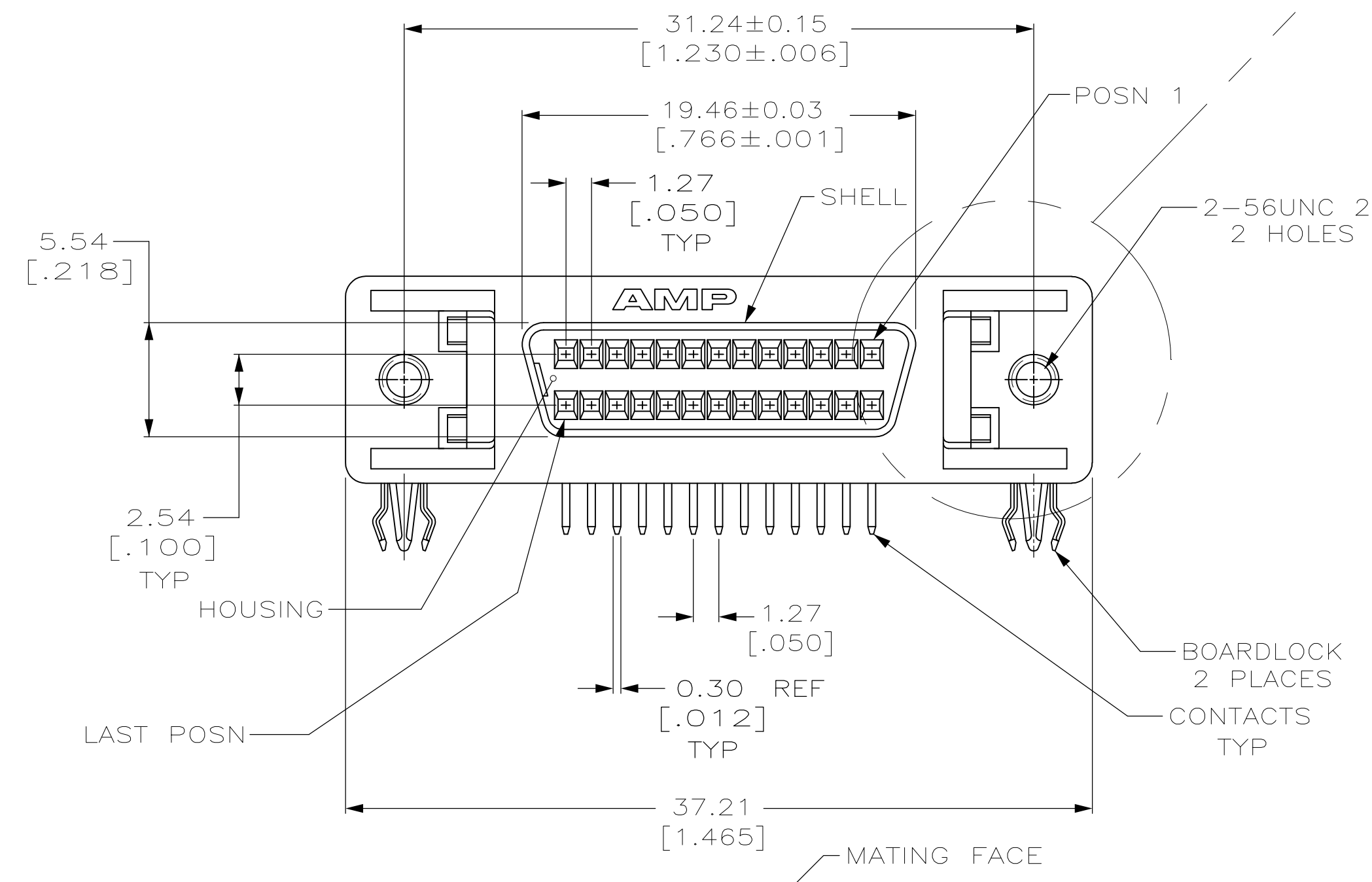
P.C. BOARD MOUNTING DIMENSIONS
 CONNECTOR SIDE
 P. C. BOARD THICKNESS 1.57 \pm 0.20 [.062 \pm .008]



RECOMMENDED PANEL CUTOUT



ALTERNATE BRACKET DESIGN TYP



- MATERIAL**
 CONTACTS: PHOSPHOR BRONZE
 HOUSING & PIN SPACER: UL 94V-0 THERMOPLASTIC, BLACK
 BRACKET: ZINC
 SHELL: CARBON STEEL
 BOARDLOCKS: COPPER ALLOY
- FINISH**
 CONTACTS: EITHER 0.76 μ m [.000030] MIN GOLD PLATE FOR A LENGTH OF 0.64 [.025] MAX, 0.13 [.005] MIN FROM MATING END OR GOLD FLASH OVER PALLADIUM NICKEL PLATE, 0.76 μ m [.000030] MIN TOTAL FOR A LENGTH OF 0.64 [.025] MAX, 0.13 [.005] MIN FROM MATING END. 3.81 μ m [.000150] MIN TIN-LEAD ON OPPOSITE END FOR A LENGTH OF 2.72 [.107] MIN, BOTH OVER 1.27 μ m [.000050] MIN NICKEL.
 SHELL: 5.08 μ m [.000200] MIN NICKEL OVER 1.27 μ m [.000050] MIN COPPER.
 BRACKET: 2.54 μ m [.000100] MIN NICKEL OVER 5.08 μ m [.000200] MIN COPPER.
 BOARDLOCKS: 5.08 μ m [.000200] MIN TIN-LEAD OVER 1.27 μ m [.000050] MIN NICKEL.

26	1364491-1
NO. OF POSITIONS	PART NUMBER

THIS DRAWING IS A CONTROLLED DOCUMENT.		DWN A.HOLT 25MAY00	Tyco Electronics Corporation Harrisburg, PA 17105-3608	
DIMENSIONS: mm [INCHES]		CHK C.FULP 24MAY00	NAME	
TOLERANCES UNLESS OTHERWISE SPECIFIED:		APPD C.FULP 24MAY00	RECEPTACLE ASSEMBLY, SHIELDED, RIGHT ANGLE, RAILED, .050 SERIES, AMPLIMITE™	
0 PLC ± -	1 PLC ± -	PRODUCT SPEC	108-1228	
2 PLC ± 0.13 [.005]	3 PLC ± -	APPLICATION SPEC	114-40029	
4 PLC ± -	ANGLES ± -	SIZE	CAGE CODE	DRAWING NO
MATERIAL		WEIGHT	A1	00779
FINISH		CUSTOMER DRAWING	SCALE	4:1
		SHEET		1 OF 1
		REV		C

单击下面可查看定价，库存，交付和生命周期等信息

[>>TE Connectivity\(泰科\)](#)