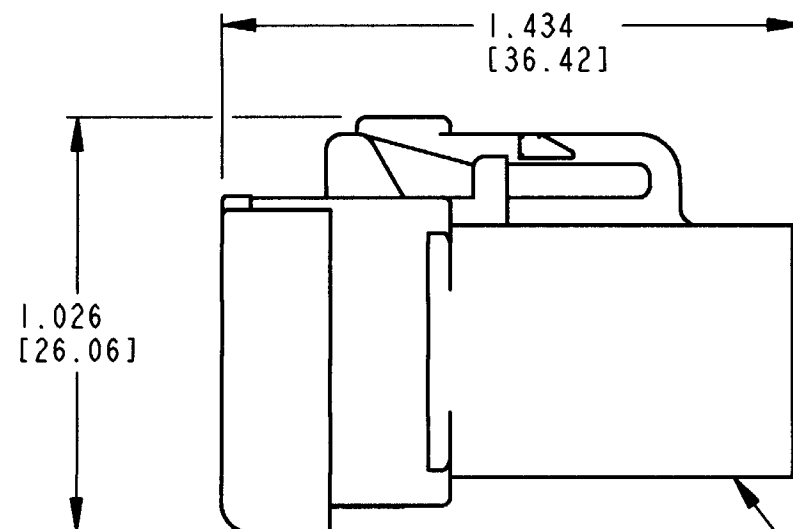
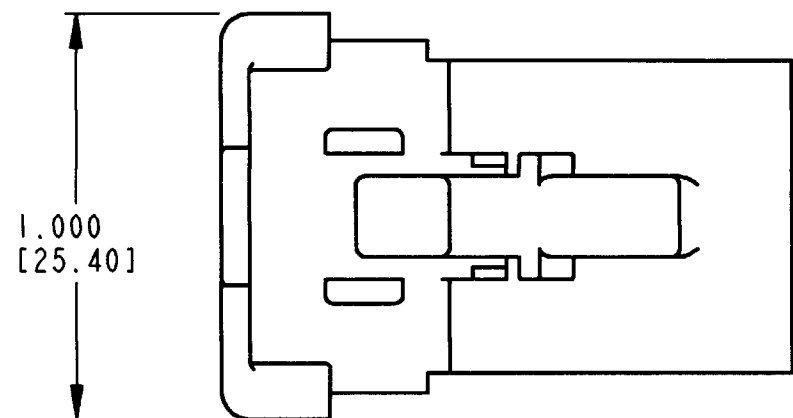
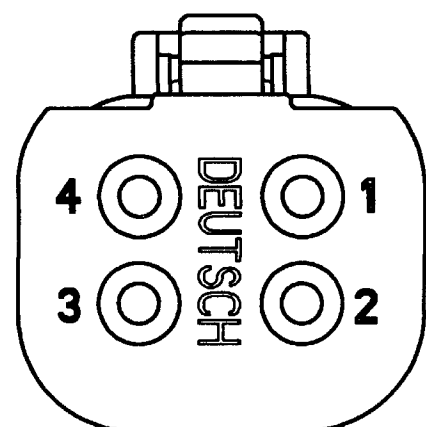


3D VIEW



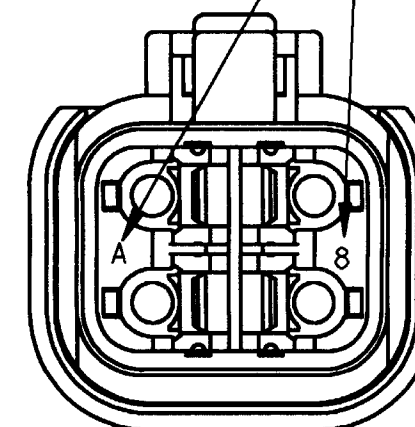
WELD CAP

PLUG HOUSING

REV
A DTP06-4S-E003

REVISIONS			
SYM	DESCRIPTION	DATE	APPROVED
NC	NEW RELEASE PER E.O. P16322	09/27/99	R.D.R.
A	REVISED PER E.O. P16905	10-18-00	RDR

DATE CODE: MONTH IS REPRESENTED BY SEQUENTIAL ALPHA CHARACTERS. EX: A=JANUARY; YEAR IS REPRESENTED BY LAST NUMERICAL DIGIT. EX: 8=2008



- 6. MATERIAL: HOUSING: PLASTIC; GROMMET: RUBBER
 - 5. THIS PLUG MATES WITH DTP04-4P-**** RECEPTACLE. (**** = ALL MODIFICATIONS)
 - 4. FOR CONTACT AND WIRE PERFORMANCE AND APPLICATION CHARACTERISTICS SEE ENVELOPE DRAWING 0425-015-0000.
 - 3. SECONDARY WEDGE LOCK SOLD SEPARATELY, WP-4S.
 - 2. DIMENSION TOLERANCE: $\pm .025$ [.64].
 - 1. DIMENSIONS ARE IN INCHES [mm].
- NOTES: UNLESS OTHERWISE SPECIFIED

CONTACT SIZE	MIN. INSUL O.D.	MAX INSUL O.D.	WIRE RANGE [mm ²] REF ONLY
12	.134 [3.40]	.170 [4.32]	12-14 AWG [3.0-2.0]

SIGNATURE & DATE	
DR	S.THEIS 9/22/99
CHK	<i>[Signature]</i> 10-17-00
PE	<i>[Signature]</i> 10/17/00
APPD	<i>[Signature]</i> 10/17/00
SCALE	NONE

PLUG W/CAP
4 CONTACTS, SIZE 12
COLOR: GREY
-E003 MOD
DTP SERIES
ENVELOPE

MATERIAL CODE	
CP	The Deutsch Company DEUTSCH I.P.D. 3850 INDUSTRIAL AVE. HEMET, CALIF. 92545
B	DTP06-4S-E003
DWG SIZE	CODE 11139 SHEET 1 OF 1

单击下面可查看定价，库存，交付和生命周期等信息

[>>TE Connectivity\(泰科\)](#)