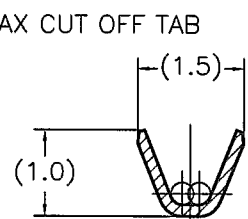
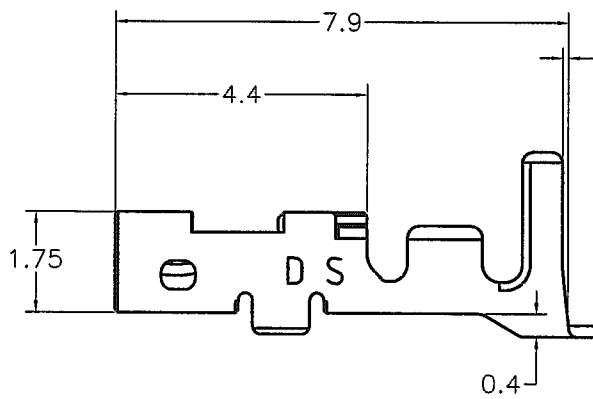
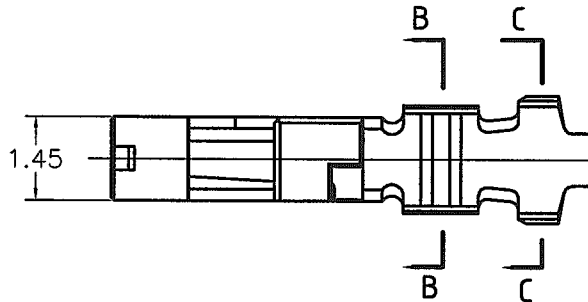
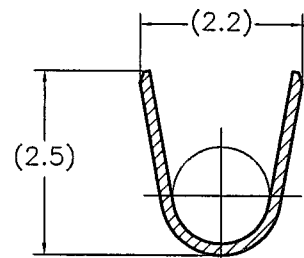


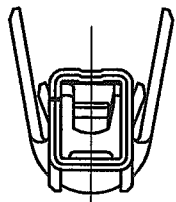
LOC	DIST	REVISIONS 変更					
J	-	P	LTR	DESCRIPTION	DATE	DWN	APVD
		B		REVISED PER ECR-15-011723	08AUG15	Y.O	E.T



SECT. B-B



SECT. C-C



NOTE

1. GENERAL TOLERANCE : $\pm 0.3, \pm 3^\circ$

1827586-2
PART NUMBER

DIMENSIONS: 单位: 毫米 mm	DWN	T.KUDO	23MAR2005	MATERIAL	COPPER ALLOY	FINISH OVER Ni PL : 1.27 μ m MIN 仕上 Au PL(CONTACT AREA):0.38 μ m MIN								
	CHK	D.MITSUGI	23MAR2005	TE Connectivity										
	APVD	D.MITSUGI	23MAR2005											
	TOLERANCES UNLESS OTHERWISE SPECIFIED: 一般公差	PRODUCT SPEC	108-78268		NAME	DYNAMIC D1000 SERIES REC CONTACT (S TYPE)(L/P)								
0 PLC \pm - 1 PLC \pm - 2 PLC \pm - 3 PLC \pm - 4 PLC \pm - ANGLES \pm -	APPLICATION SPEC	114-5377		SIZE	A4	CAGE CODE	00779	DRAWING NO	番号 C-1827586	RESTRICTED TO	-			
	WEIGHT	-		CUSTOMER DRAWING			SCALE	8:1	SHEET	1	OF	1	REV	B

THIS DRAWING IS UNPUBLISHED. ALL RIGHTS RESERVED. BY TYCO ELECTRONICS CORPORATION. © COPYRIGHT

单击下面可查看定价，库存，交付和生命周期等信息

[>>TE Connectivity\(泰科\)](#)