

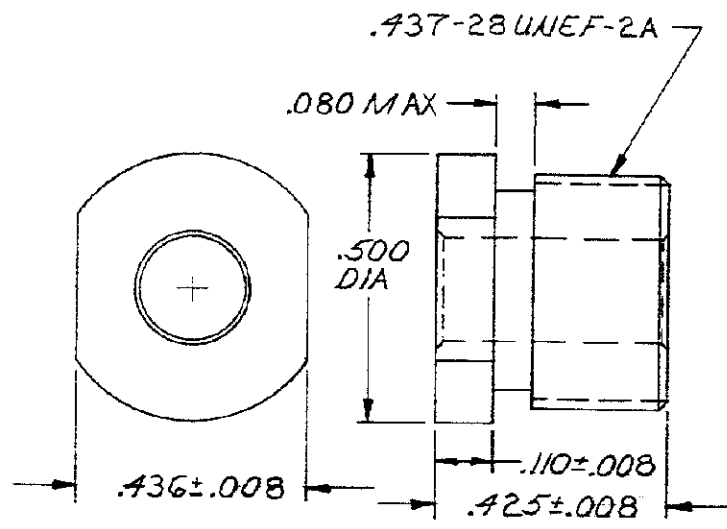
© COPYRIGHT 1979 BY AMP INCORPORATED, HARRISBURG, PA.
ALL INTERNATIONAL RIGHTS RESERVED. AMP INCORPORATED PRODUCTS
COVERED BY U.S. AND FOREIGN PATENTS AND/OR PATENTS PENDING.

		REVISIONS				1	LOC	AJ	DIS
P	F	ZONE	LTR	DESCRIPTION	DATE	APPR			
✓	✓		0	NPS 70-2528	9/18/79	PRG			
✓	✓		A	ADD-2 NPS 80-2695	5/20/80	gls			
✓	✓		B	CHNG DIM	6/26/80	gls			

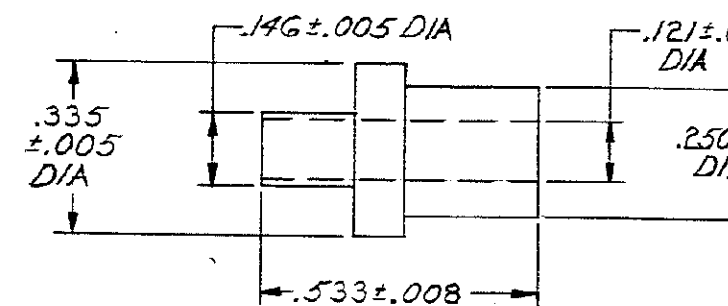
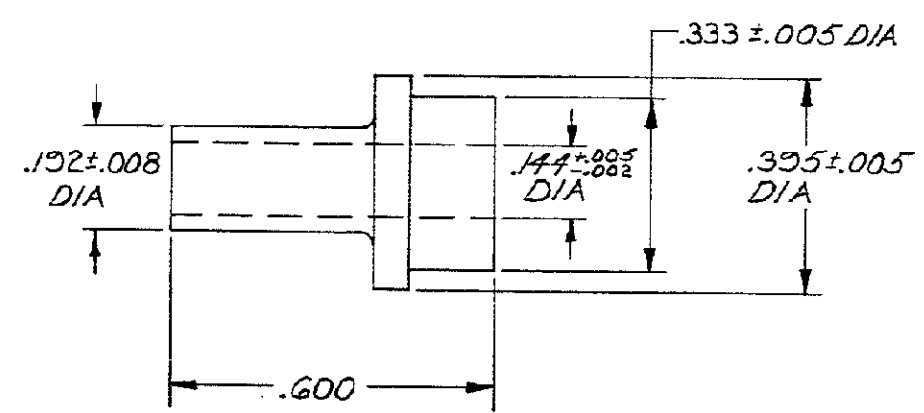
- ① GOLD PL. (MIL-G-45204)
- ② BR. TIN PL. (MIL-T-15727)

D
227347
C
B
A

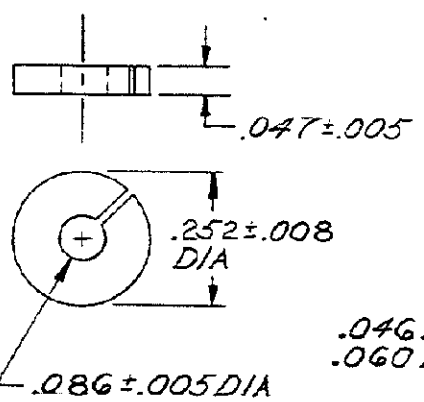
NUT, CONNECTOR
MATL: BRASS, QQ-B-626
PLATING SEE TABLE
PART NO. SEE TABLE (ITEM 1)



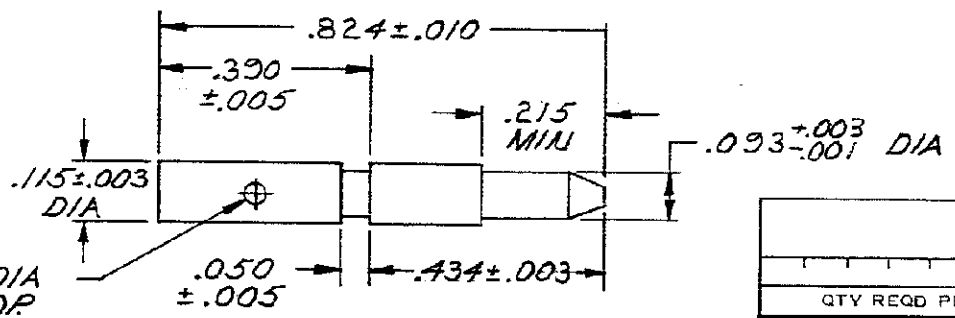
ADAPTOR, CONNECTOR
MATL: BRASS, QQ-B-626
PLATING SEE TABLE
PART NO. SEE TABLE (ITEM 2)



INSULATOR, CONNECTOR
MATL: TEFLON, MIL-P-19468A
PART NO. 227403-1



BEAD, INSULATOR
MATL: TEFLON, MIL-P-19468A
PART NO. 227406-1



PIN, CONNECTOR
MATL: BRASS, QQ-B-626
GOLD PL, MIL-G-45204
PART NO. 227404-2

1	-	②		227405-3	ADAPTOR CONN.
1	-	②		227402-3	NUT, CONNECTOR
-	1	①		227405-2	ADAPTOR CONN.
-	1	①		227402-2	NUT CONNECTOR
-	2	-	PLATING	DWG SIZE	PART NO OR IDENTIFYING NO

UNLESS OTHERWISE SPECIFIED DIMENSIONS ARE IN INCHES. TOLERANCES ON: DECIMALS ±.008 ANGLES ± 5°		CONTRACT NO		PARTS LIST	
MATERIAL		DR <i>MRS</i> 3-21-79		AMP INCORPORATED Harrisburg, Pa.	
FINISH		CHK <i>[Signature]</i> 9/18/79		NAME	
		APPD <i>[Signature]</i> 9/19/79		ARING PIN, SOLDER ASSY SIZE 1	
		DSGN APPD		SIZE	CODE IDENT NO
		OTHER APPD		B	00779
				DRAWING NO	227347
				SCALE	SHEET 1 of 1

单击下面可查看定价，库存，交付和生命周期等信息

[>>TE Connectivity\(泰科\)](#)