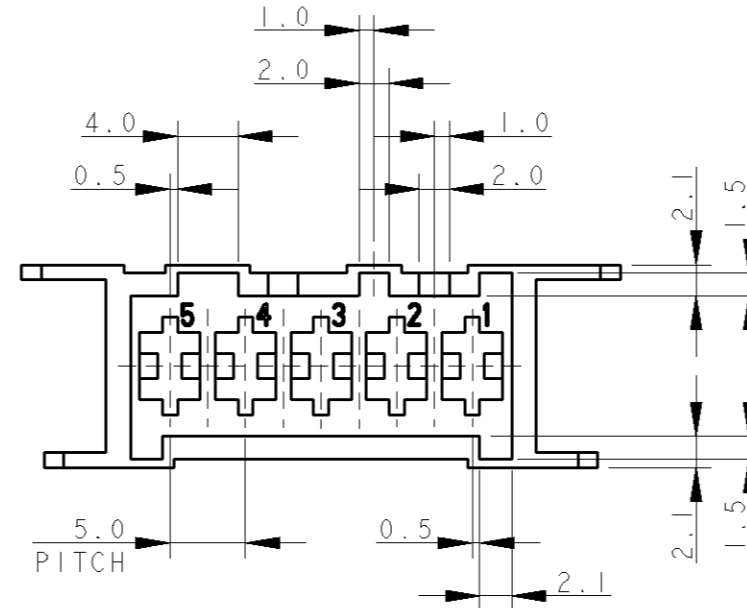


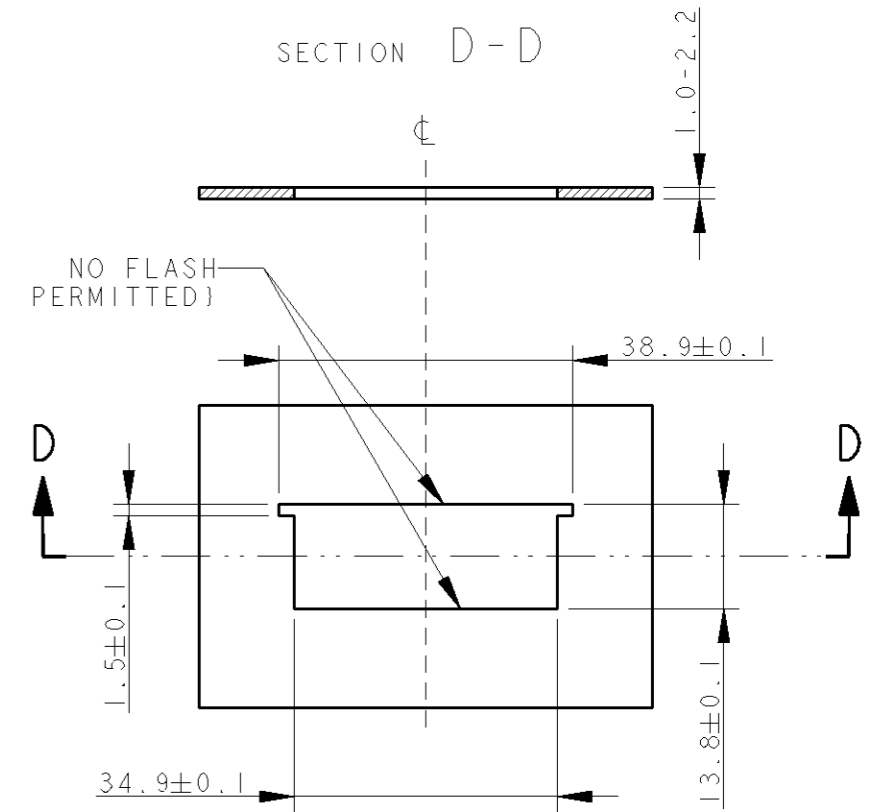
THIS DRAWING IS UNPUBLISHED. RELEASED FOR PUBLICATION 2003
 © COPYRIGHT 2003 BY TYCO ELECTRONICS CORPORATION. ALL RIGHTS RESERVED.

REVISIONS					
P	LTR	DESCRIPTION	DATE	DWN	APVD
1		CHANGED LATCHING TYPE	18 NOV 2005	HY	GT
0		P/N ASSIGNED	13 JAN 2006	HY	GT
A		RELEASED FOR ECR-06-008618	02 MAY 2006	HY	GT
B		ADDED -2 AND RELEASED, ECR-07-004530	13 APR 2007	HY	GT

POLARIZATION KEYS SCHEME

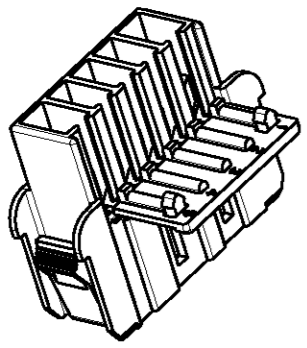


PANEL MOUNT DIMENSIONS
SCALE 1:1

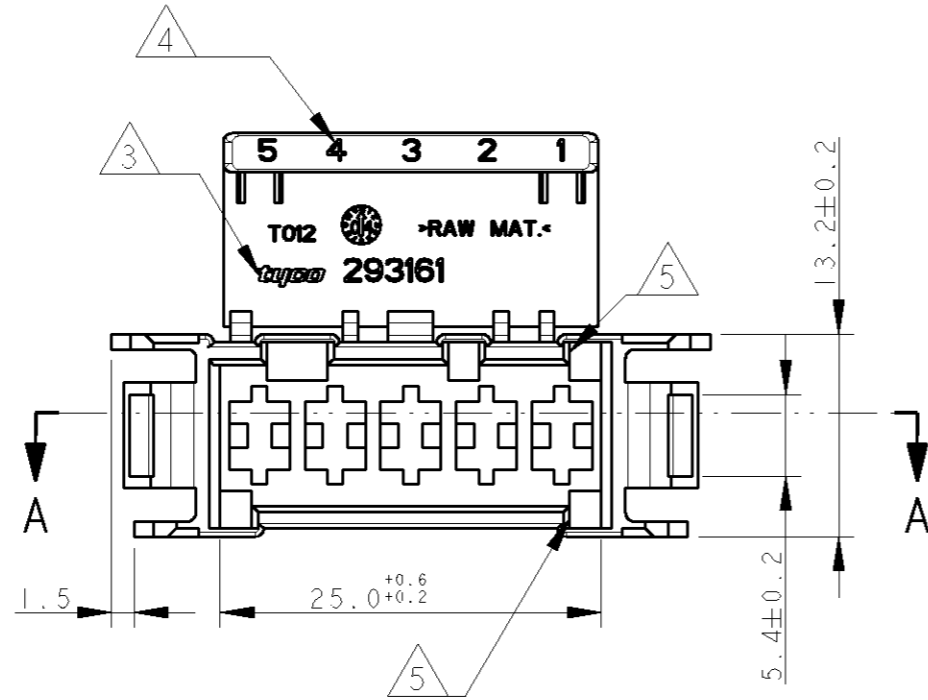
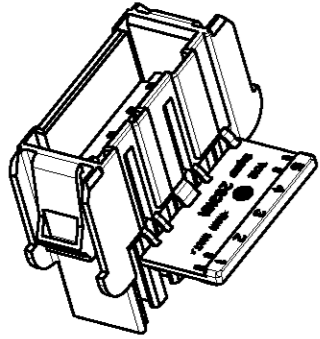


- 1 TYPICAL CAVITY SUITABLE FOR: FASTIN-FASTON TAB CONTACTS 6.3 mm SRS; P/N: 293041
- 2 PA UNFILLED, UL 94-V2,
- 3 TYCO TRADEMARK "LOGO" AND TYCO ELECTRONICS "PART NUMBER" OPTIONAL POSITION.
- 4 CIRCUIT IDENTIFICATION NUMBERS, 1 TO 5
- 5 POLARIZATION KEYS DIMENSIONS AND POSITIONS ARE ACCORDING TO "RAST 5" NORM
- 6 PA UNFILLED UL 94 V2 ACCORDING TO IEC 60335-1 NORM.

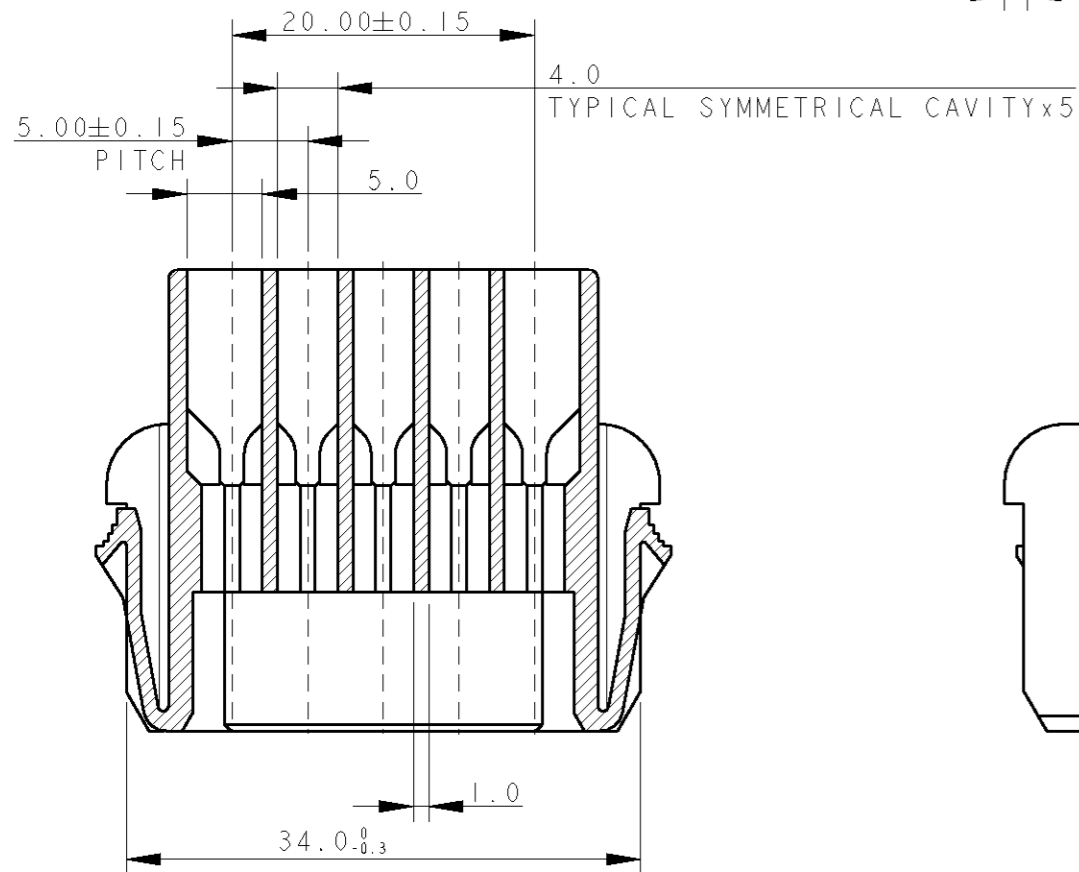
	NATURAL	SEE NOTE 6	293161-2	B
	NATURAL	SEE NOTE 2	293161-1	B
NOTE	COLOUR	MATERIAL	TYCO P/N	REV



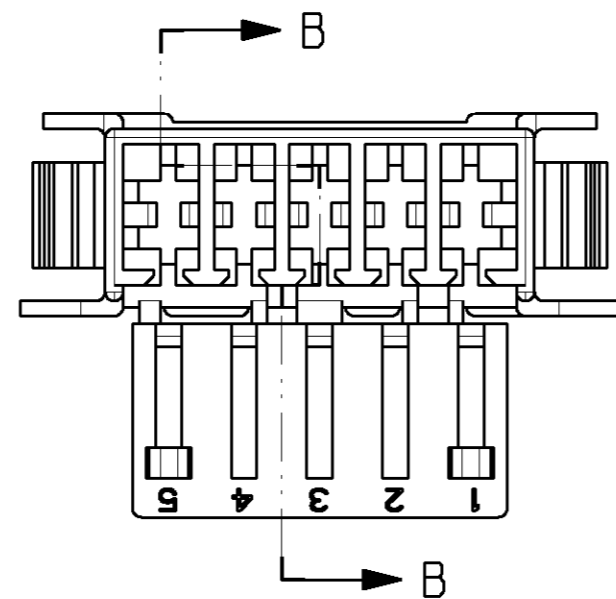
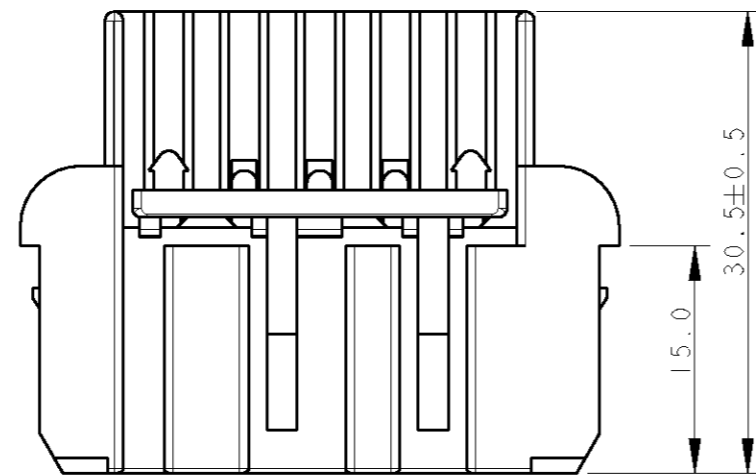
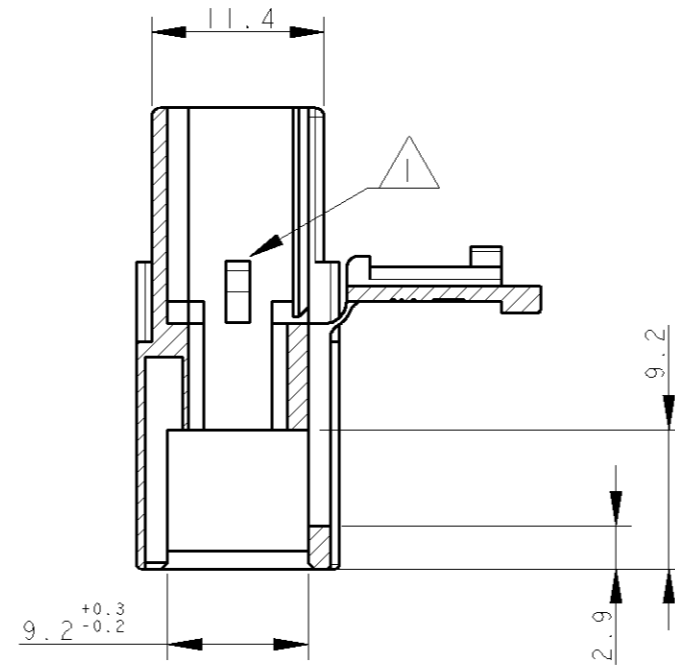
SCALE 1:1



SECTION A-A



SECTION B-B



THIS DRAWING IS A CONTROLLED DOCUMENT FOR TYCO ELECTRONICS CORPORATION. IT IS SUBJECT TO CHANGE AND THE CONTROLLING ENGINEERING ORGANIZATION SHOULD BE CONTACTED FOR THE LATEST REVISION.

DIMENSIONS:	TOLERANCES UNLESS OTHERWISE SPECIFIED:	DWN	02 AUG 2005		tyco Electronics AMP Italia S.p.A. C.so F. Cervi, 15 COLLEGGNO (TO)	
mm	0 PLC ±	CHK	H. YAALI		NAME	5 POS. FASTIN-FASTON Connector TAB HOUSING, RAST 5 1.0-2.2 MM THK. PANEL MOUNT VERSION
	1 PLC ±0.3	APVD	G. TURCO		PRODUCT SPEC	108-20256
	2 PLC ±	APPLICATION SPEC			SIZE	A2
	3 PLC ±	WEIGHT		CAGE CODE	00779	
	4 PLC ±	CUSTOMER DRAWING		DRAWING NO	293161	
	ANGLES ±°	SCALE	2:1	SHEET	1 OF 1	
	FINISH	REV			B	

单击下面可查看定价，库存，交付和生命周期等信息

[>>TE Connectivity\(泰科\)](#)