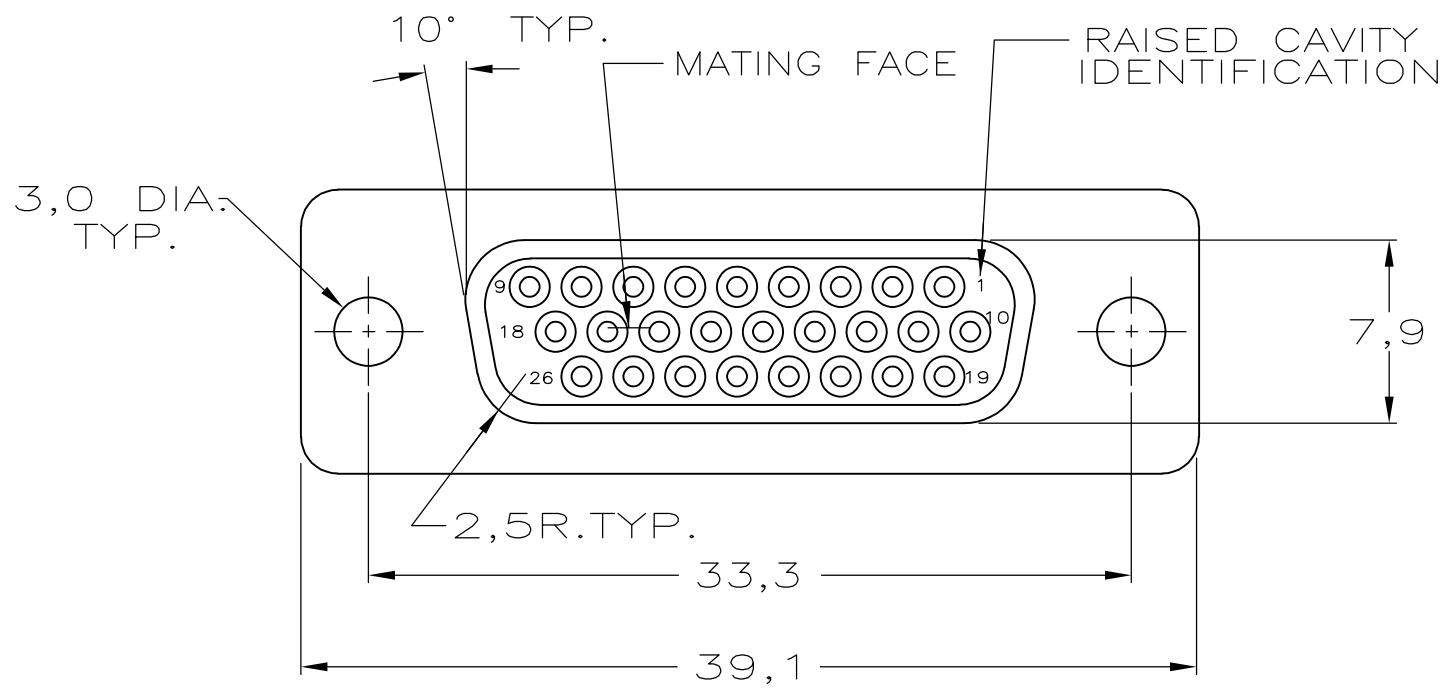


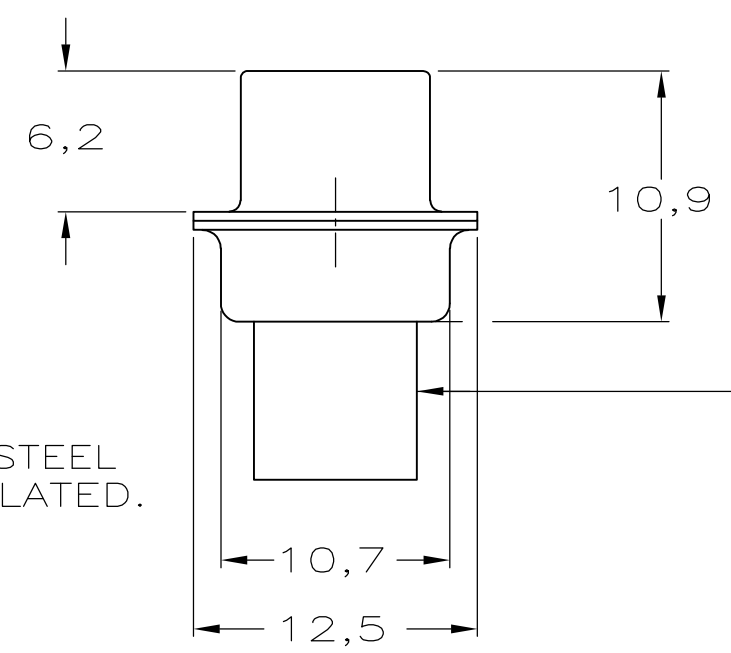
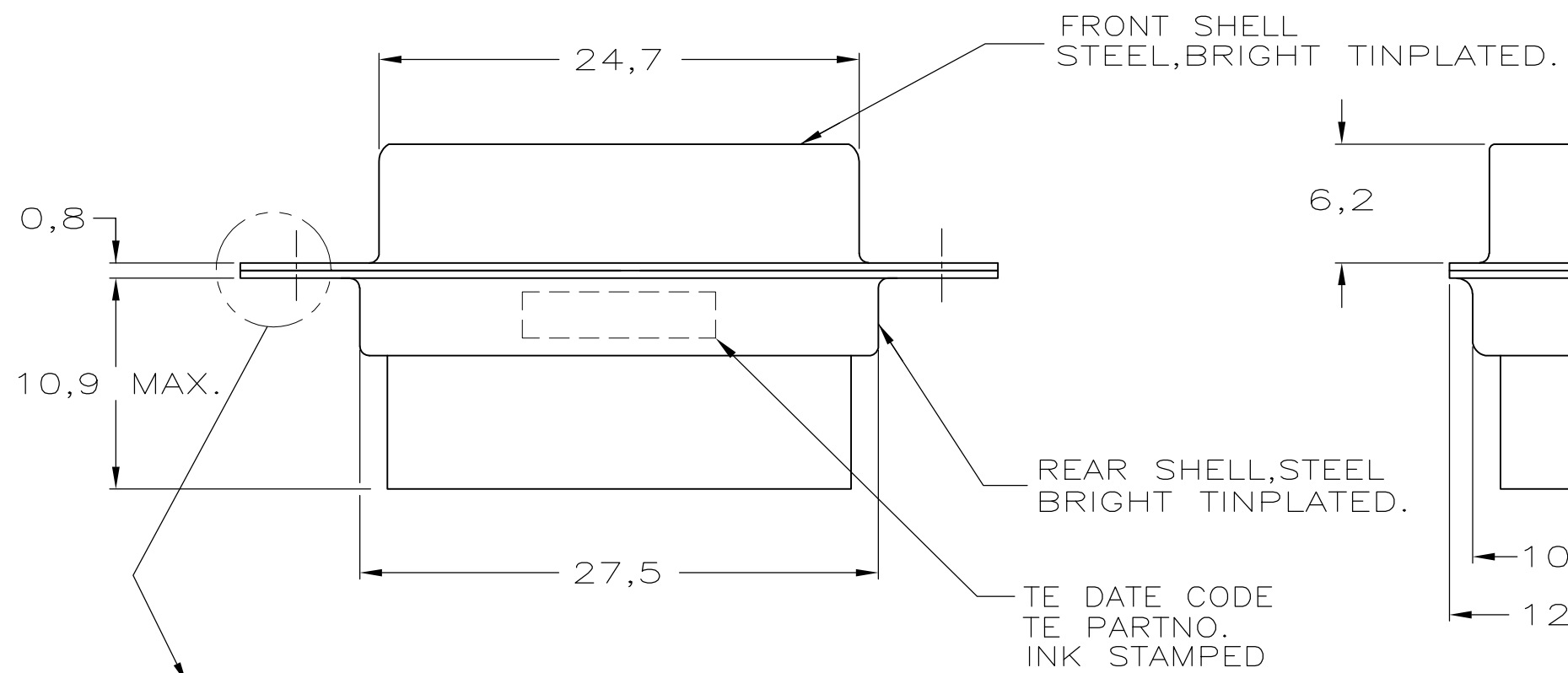
THIS DRAWING IS UNPUBLISHED. RELEASED FOR PUBLICATION
 © COPYRIGHT - By - ALL RIGHTS RESERVED.

LOC	DIST	REVISIONS			
P	LTR	DESCRIPTION	DATE	DWN	APVD
H	-	O	INITIAL RELEASE	07-12-88	JvdH LVS
		B	ECR-11-014975	25JUL11	RK KMA

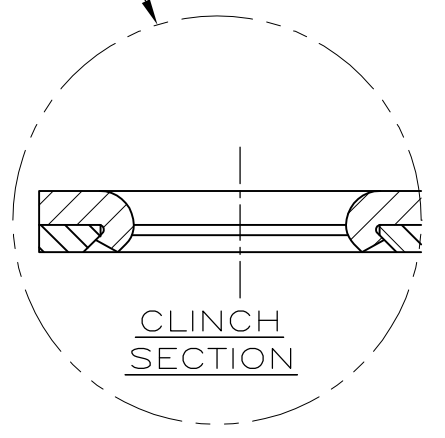


NOTES:

- 1 THIS RECEPTACLE ACCEPTS SIZE 22 REC. CONTACTS.
- 2 RETENTION TINES ARE AN INTEGRAL PART OF INSERT.
- 3 CONTACT INSERTION/REMOVAL TOOL TE P.N. 91285-1 IS RECOMMENDED FOR USE WITH THESE CONNECTORS:



INSERTS: NYLON
 GLASS-FILLED
 SELF-EXTINGUISHING
 COLOR: BLACK



SEE DRAWING	SEE DRAWING	216165-1
FINISH	MATERIAL	PARTNUMBER

THIS DRAWING IS A CONTROLLED DOCUMENT.		DWN	07-12-88	TE Connectivity	
		CHK	02-01-89		
		APVD	04-01-89		
		PRODUCT SPEC			
DIMENSIONS: mm		TOLERANCES UNLESS OTHERWISE SPECIFIED:		NAME HDP-22 REC. CONNECTOR, SIZE 2, (26 POSITION)	
0 PLC ± - 1 PLC ± - 2 PLC ± - 3 PLC ± - 4 PLC ± - ANGLES ± -		APPLICATION SPEC -		SIZE A3	
WIRE RANGE -		INSUL. RANGE -		CAGE CODE 00779	
		WEIGHT -		DRAWING NO C-216165	
CUSTOMER DRAWING			SCALE	SHEET	REV
			NTS	1 OF 1	B

单击下面可查看定价，库存，交付和生命周期等信息

[>>TE Connectivity\(泰科\)](#)