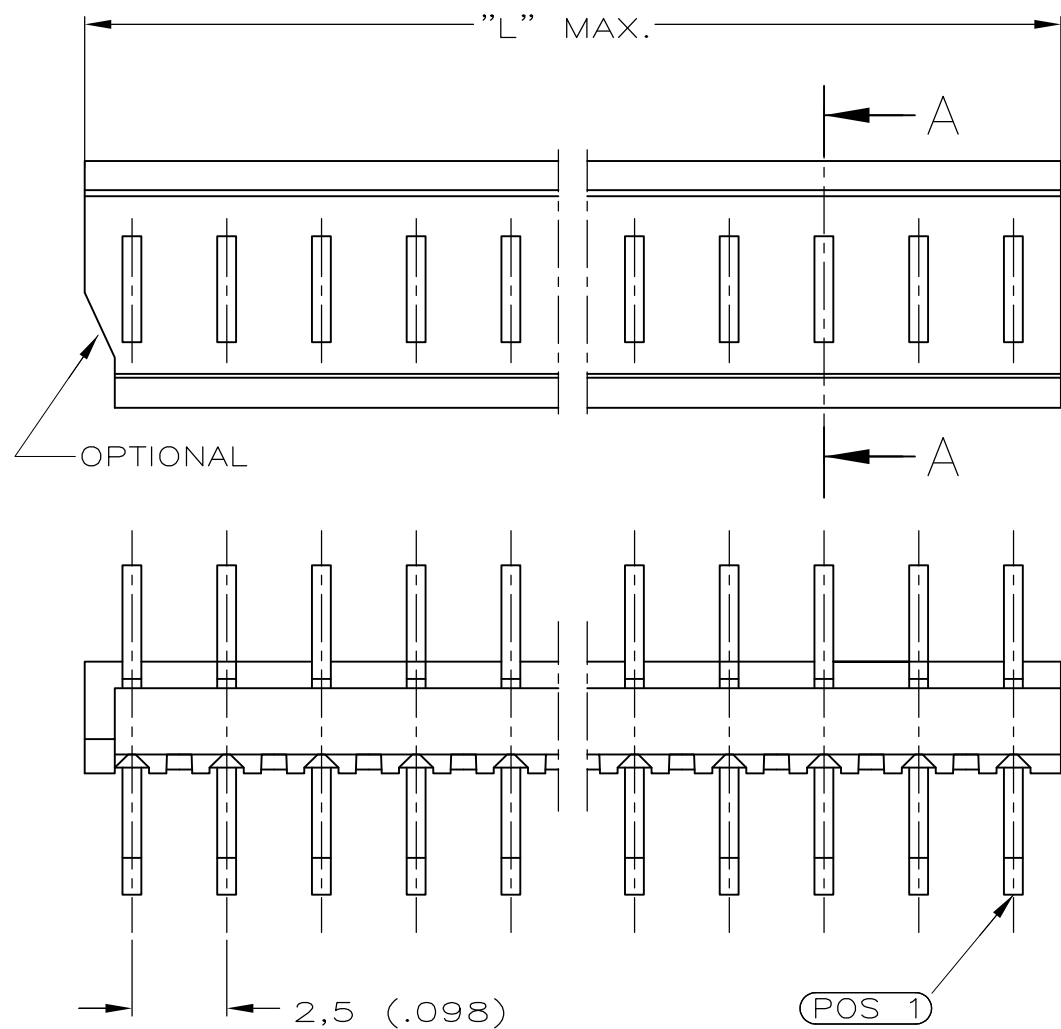
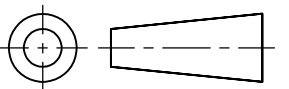


DO NOT SCALE
DIMENSIONS IN mm

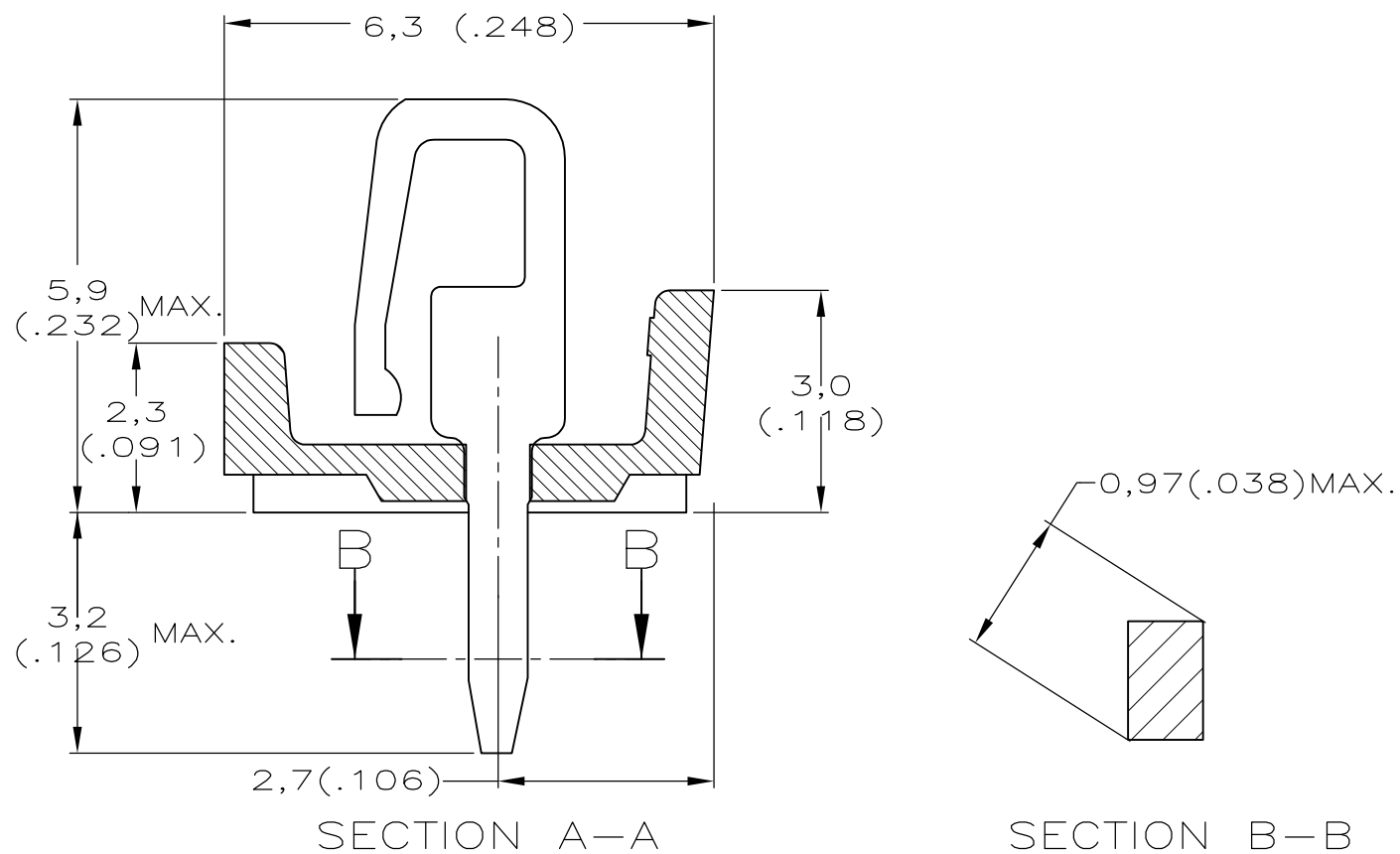
METRIC

THIRD ANGLE
PROJECTION



| | PARTNUMBER | NUMBER OF POS. | "L" MAX. | |
|------------|-----------------------|----------------|----------|-------|
| | | | mm | INCH |
| | 0-164713-2 | 2 | 5,0 | .197 |
| | 0-164713-3 | 3 | 7,5 | .295 |
| | 0-164713-4 | 4 | 10,0 | .394 |
| | 0-164713-5 | 5 | 12,5 | .492 |
| | 0-164713-6 | 6 | 15,0 | .591 |
| | 0-164713-7 | 7 | 17,5 | .689 |
| △ OBSOLETE | 0-164713-8 | 8 | 20,0 | .787 |
| | 0-164713-9 | 9 | 22,5 | .886 |
| | 1-164713-0 | 10 | 25,0 | .984 |
| | 1-164713-1 | 11 | 27,5 | 1.083 |
| | 1-164713-2 | 12 | 30,0 | 1.181 |
| OBSOLETE | 1-164713-3 | 13 | 32,5 | 1.280 |
| OBSOLETE | 1-164713-4 | 14 | 35,0 | 1.378 |
| | 1-164713-5 | 15 | 37,5 | 1.476 |
| OBSOLETE | 1-164713-6 | 16 | 40,0 | 1.575 |
| OBSOLETE | 1-164713-7 | 17 | 42,5 | 1.673 |
| △ OBSOLETE | 1-164713-8 | 18 | 45,0 | 1.772 |
| OBSOLETE | 1-164713-9 | 19 | 47,5 | 1.870 |
| △ OBSOLETE | 2-164713-0 | 20 | 50,0 | 1.969 |

△ OBSOLETE PARTS: OBSOLETE CIS STREAMLINING PER D.RENAUD/D.SINISI



| | | | | | |
|---|-------------------|------------------|----------------|-------------|---|
| HOUSING: PBT 20% GLASSFILLED | | | | | SEE TABLE |
| CONTACT: TIN-LEAD (93/7) OVER NICKEL PLATED BRASS | | | | | |
| MATERIAL | | | | | PARTNUMBER |
| - | - | - | - | - | CUSTOMER DRAWING FOR REFERENCE ONLY WILL NOT BE UPDATED |
| - | - | - | - | - | © COPYRIGHT 19 - BY AMP HOLLAND B.V. ALL INTERNATIONAL RIGHTS RESERVED. AMP PRODUCTS MAY BE COVERED BY U.S. AND FOREIGN AND/OR PATENTS PENDING. |
| - | - | - | - | - | THIS DRAWING IS UNPUBLISHED RELEASED FOR PUBLICATION _____, 19 _____ |
| - | - | - | - | - | AMP AMP HOLLAND B.V. 's-Hertogenbosch, The Netherlands. |
| K1 | ECO-09-021826 | KK | AEG | 24AUG09 | NAME MINI-MATCH CONN. ASS'Y 2-20 POS. 2,5mm PITCH |
| K | EH-1081-97 | D.K. | R.H. | 06 OCT 96 | |
| J | EH-0777-96 | D.K. | HvD | 04 JUL 96 | |
| LTR. | REVISION RECORD | DR. | CHK. | DATE | |
| DR.: D. KESSLER | CHK.: H. v. DELFT | APP.: E. LEUTENS | DWG.No. 164713 | REV.LTR. K1 | SHEET 1 OF 1 A3 |
| DATE: 04 JUL 96 | DATE: - | DATE: - | | | |

单击下面可查看定价，库存，交付和生命周期等信息

[>>TE Connectivity\(泰科\)](#)