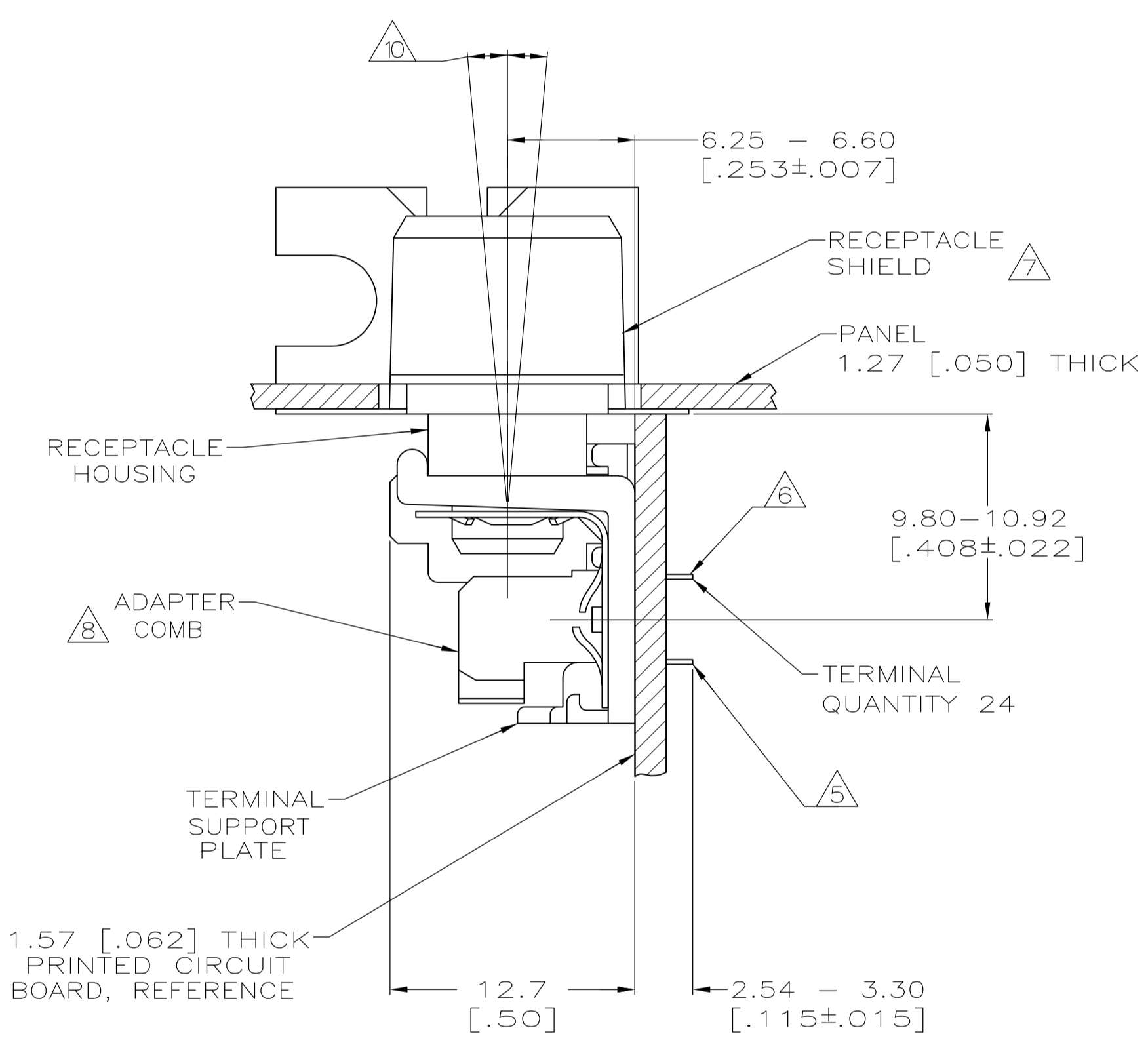
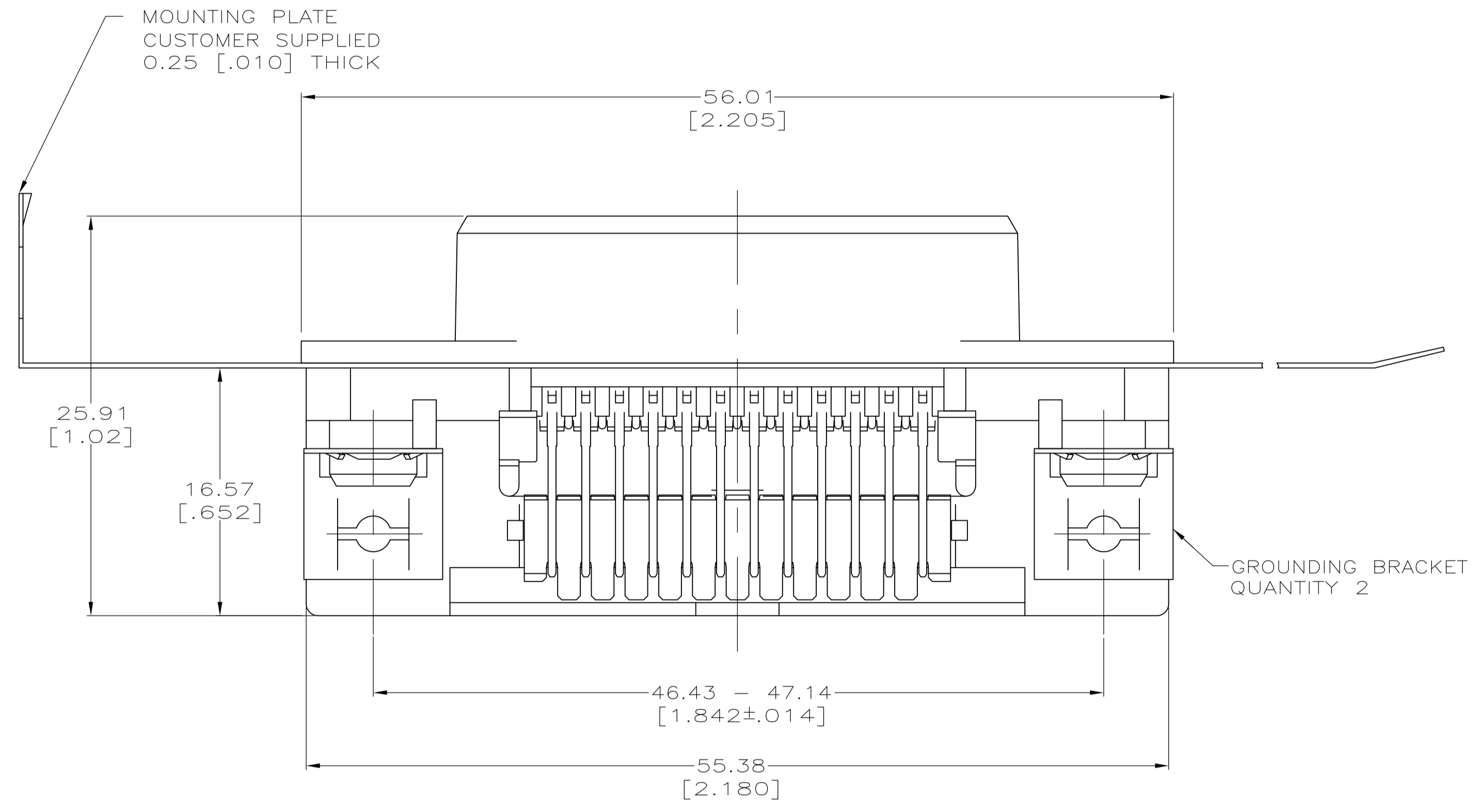
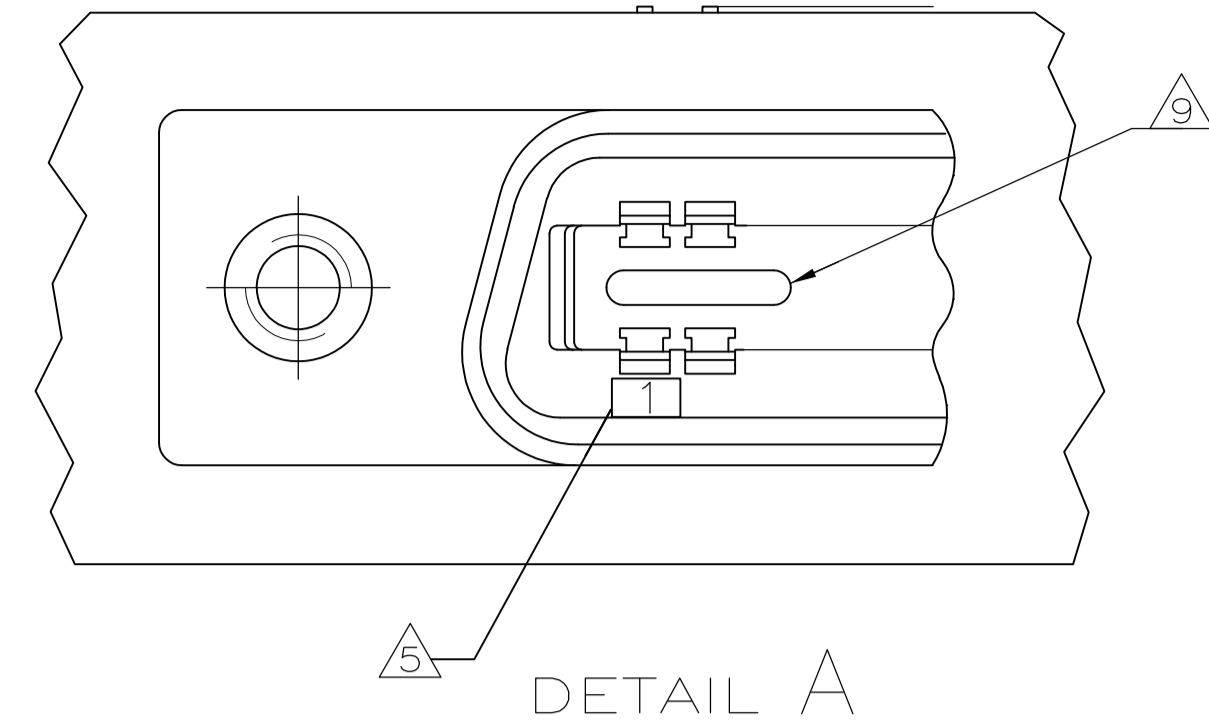
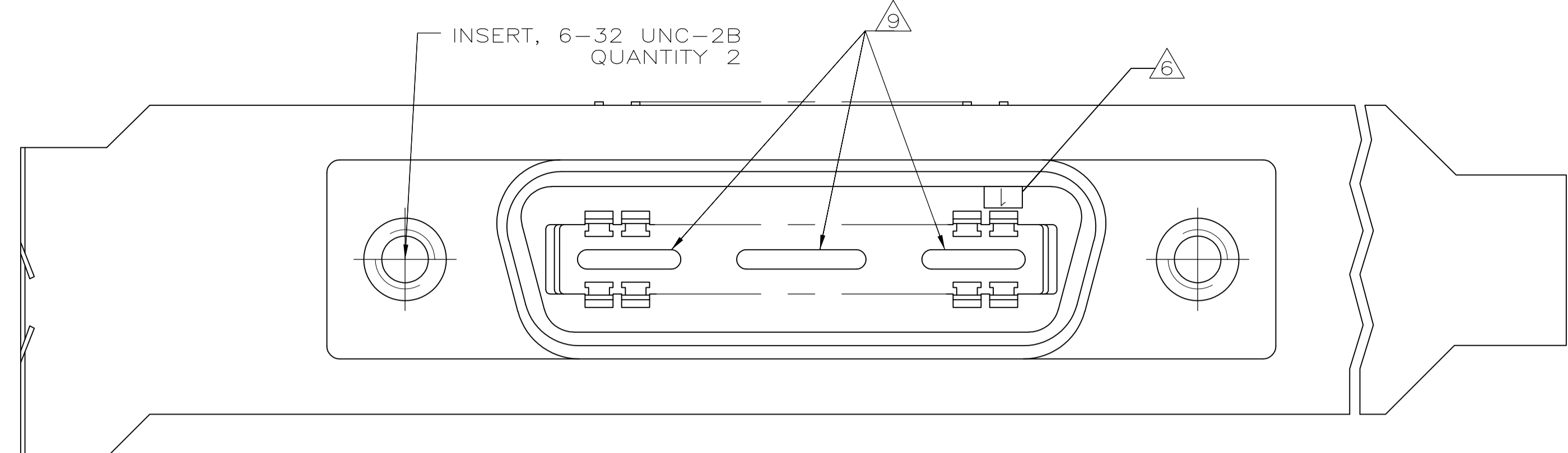
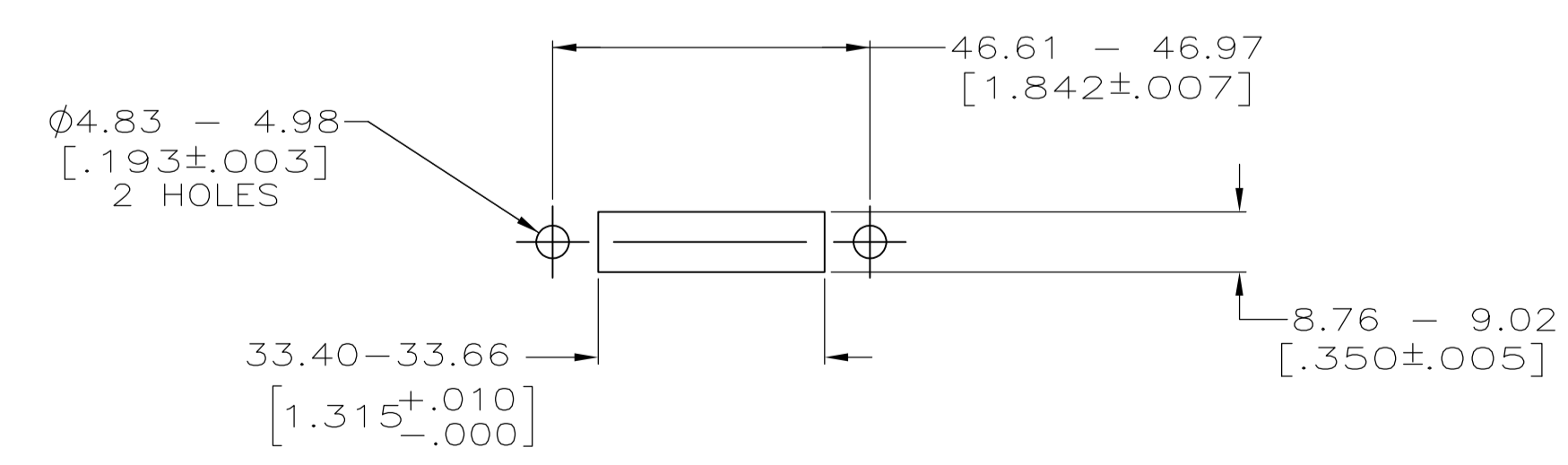
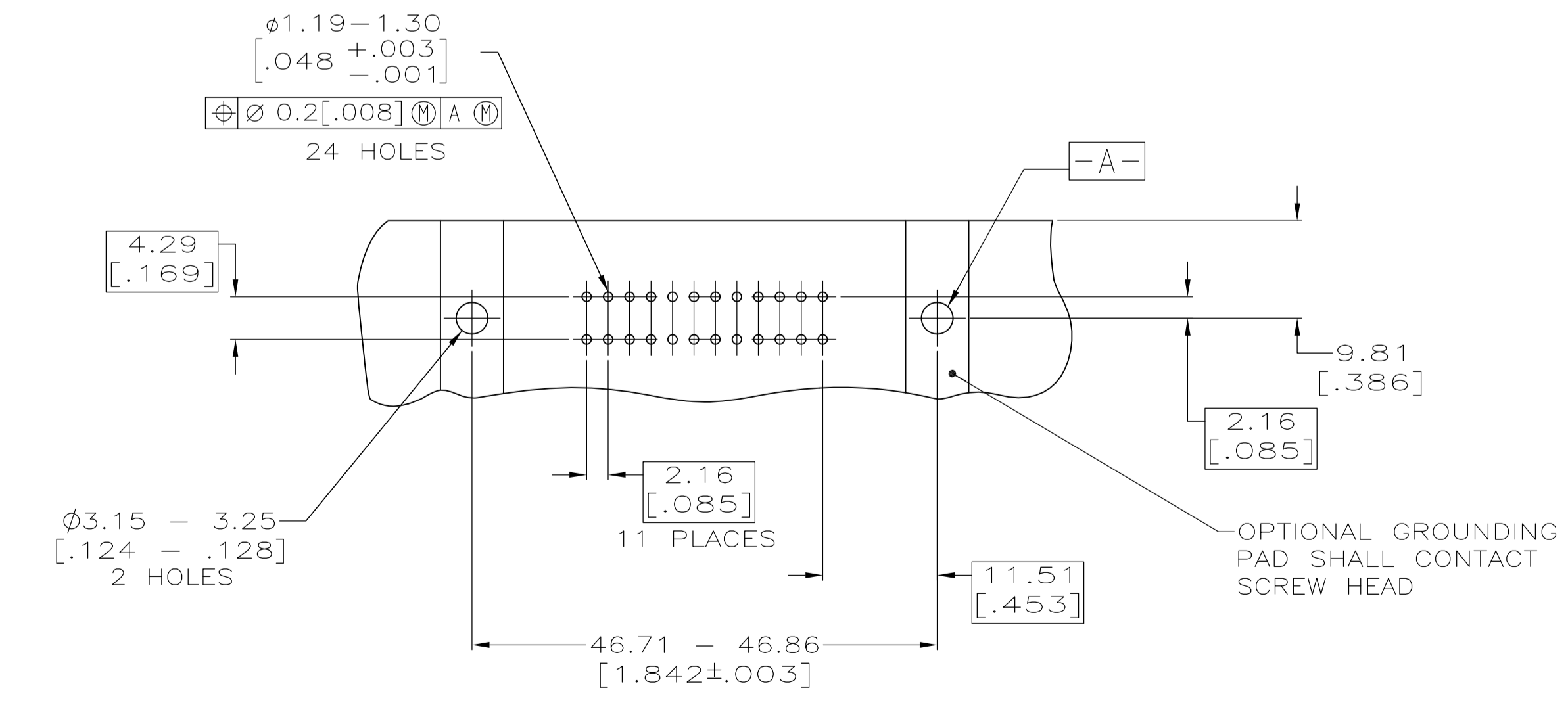


LOC		DIST		REVISIONS			
GP	00	REV	DATE	BY	APPV	DATE	BY
B		REVISED PER ECO-08-007327	17APR08	BM	WM		



- 1 MATERIAL:
 SUPPORT PLATE, HOUSING & ADAPTER COMB - POLYESTER, BLACK.
 RECEPTACLE SHIELD - NICKEL OVER COPPER PLATED ZINC.
 TERMINALS - HIGH STRENGTH COPPER ALLOY PLATED WITH EITHER 0.76µm [.000030] MIN GOLD PLATE OR GOLD FLASH OVER PALLADIUM NICKEL PLATE, 0.76µm [.000030] MIN TOTAL ON MATING SURFACE. 3.05µm [.000120] MIN TIN PLATE ON TAILS. ALL OVER 1.27µm [.000050] MIN NICKEL UNDERPLATE OVER ENTIRE TERMINAL.
 GROUND BRACKET - ZINC PLATED CARBON STEEL.
2. THE CONTACT SURFACES OF THE TERMINALS ARE COATED WITH LUBRICANT.
3. CENTER-TO-CENTER SPACING OF TERMINALS IS 2.16 [.085] NOMINAL.
4. DIMENSIONS ARE MAXIMUM UNLESS OTHERWISE SPECIFIED.
5. TERMINAL 1 LOCATED IN THIS ROW FOR STANDARD ORIENTATION.
6. TERMINAL 1 LOCATED IN THIS ROW FOR REVERSE ORIENTATION.
7. SHIELD SHIPPED NOT ASSEMBLED.
8. ADAPTER COMB SHALL BE PARTIALLY RETRACTED BEFORE INSERTING CONNECTOR INTO PRINTED CIRCUIT BOARD.
9. THIS FEATURE IS A CORED AREA AND IS OPTIONAL ON PART.
10. CONNECTOR MATING FACE MAY VARY UP TO 5 DEGREES IN EITHER DIRECTION FROM NOMINAL.



SUGGESTED BRACKET MOUNTING CUTOUT DIMENSIONS
 SCALE 1:1

SUGGESTED PRINTED CIRCUIT BOARD MOUNTING DIMENSIONS
 SCALE 2:1

SEE DETAIL "A"	STANDARD	5555139-2
AS SHOWN	REVERSE	5555139-1
DESCRIPTION	ORIENTATION	PART NUMBER

THIS DRAWING IS A CONTROLLED DOCUMENT.		DIN B MCMASTER 24AUG05	Tyco Electronics Corporation	
DIMENSIONS: mm [INCHES]		CIK W MILLHIMES 24AUG05	Harrisburg, Pa 17105-3608	
TOLERANCES UNLESS OTHERWISE SPECIFIED:		APVD W MILLHIMES 24AUG05	NAME	
0 PLC ± -	1 PLC ± -	RECEPTACLE ASSEMBLY, 24 POSITION, RIGHT ANGLE, SHIELDED, LOW PROFILE, WITH GROUNDING BRACKET, CHAMP		
2 PLC ± -	3 PLC ± -	APPLICATION SPEC		
4 PLC ± -	ANGLES ± -	SIZE	CAGE CODE	DRAWING NO
MATERIAL		WEIGHT	A1 00779	5555139
FINISH		CUSTOMER DRAWING		

单击下面可查看定价，库存，交付和生命周期等信息

[>>TE Connectivity\(泰科\)](#)