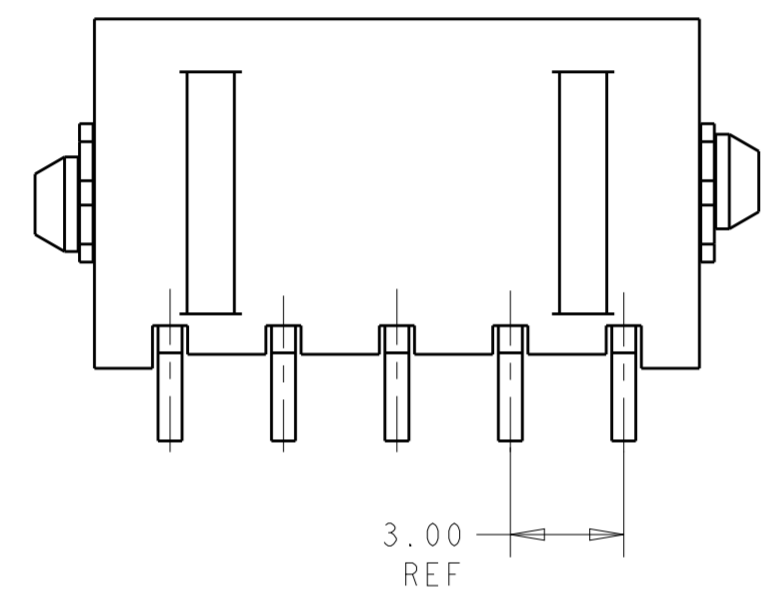
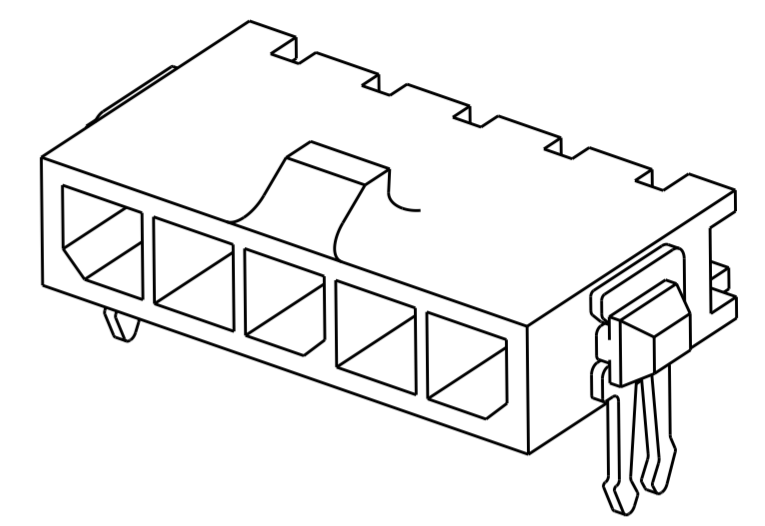
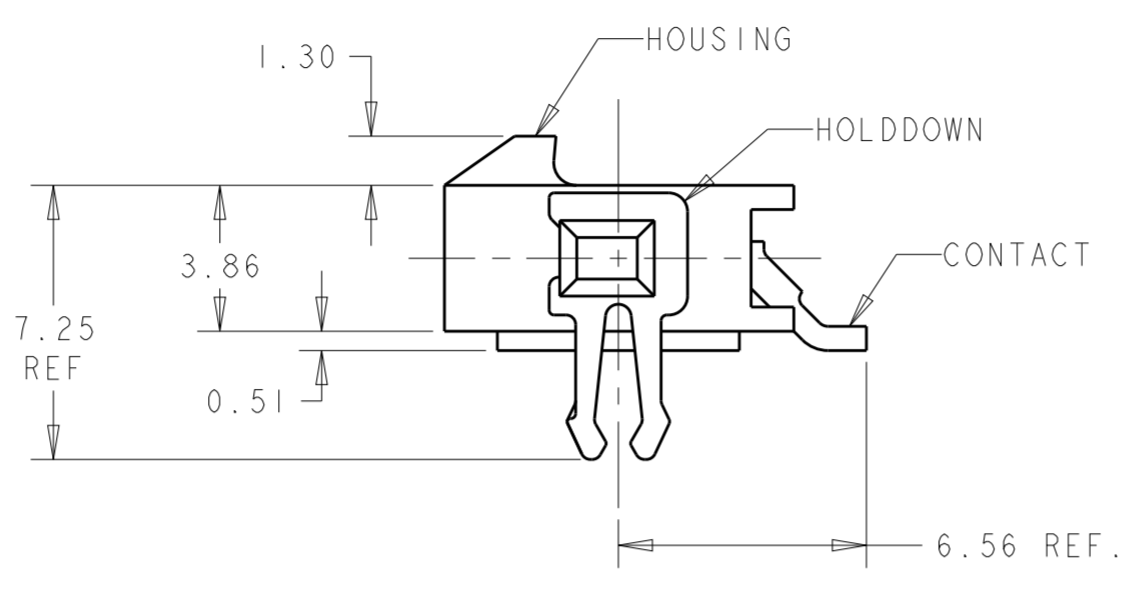
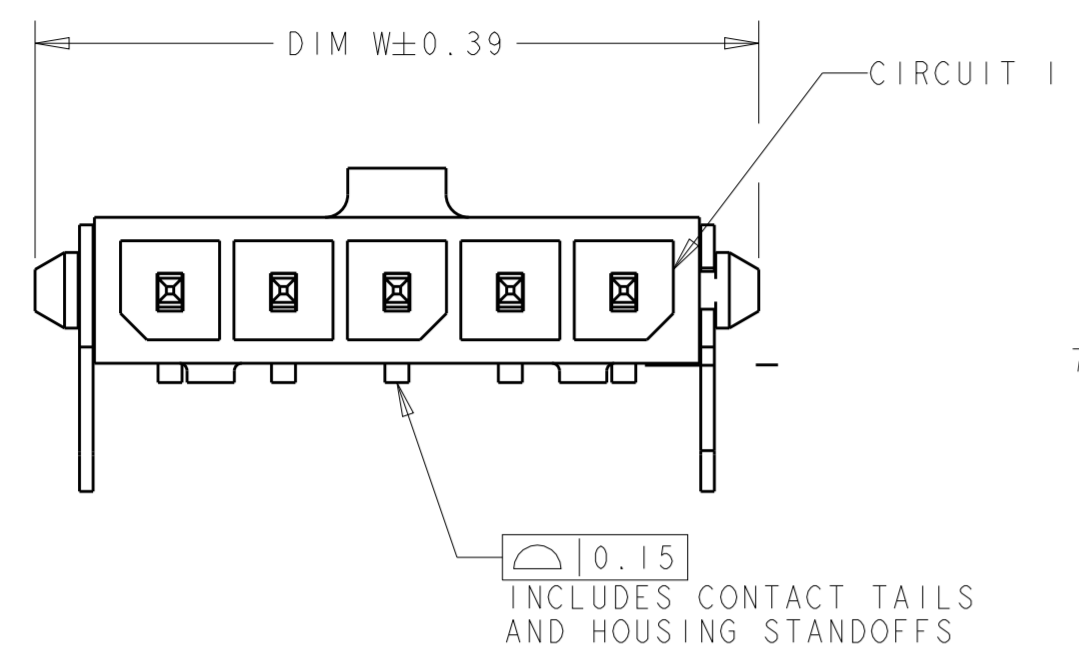


THIS DRAWING IS UNPUBLISHED. RELEASED FOR PUBLICATION 20
 © COPYRIGHT 20 BY - ALL RIGHTS RESERVED.

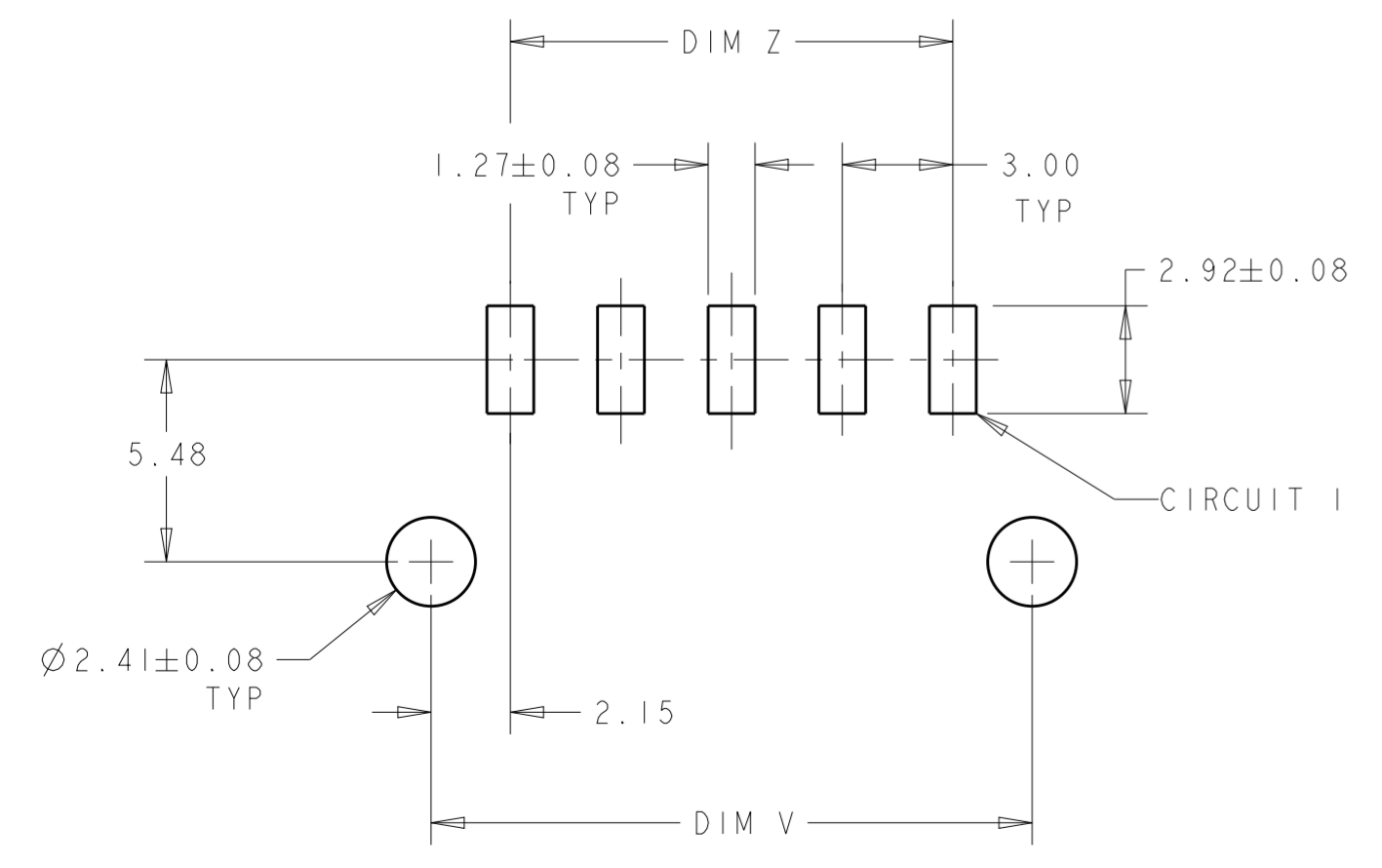
REVISIONS					
P	LTR	DESCRIPTION	DATE	DWN	APVD
C2		REVISED PER ECR-16-011494	20JUN2017	NK	CX
C3		ECO-19-006934	13MAY2019	AP	WLS
C4		REVISED PER ECO-20-010933	05AUG2020	WLS	VS



- 1 MATERIAL: CONTACTS - BRASS
HOUSING - UL 94V-0 RATED HIGH TEMP NYLON, COLOR BLACK.
HOLDDOWNS: - PHOSPHOR BRONZE.
- 2 PLATING: CONTACTS - 2.54µm MINIMUM TIN LEAD OVER 1.27µm MINIMUM NICKEL.
HOLDDOWNS: 2.54µm MINIMUM TIN-LEAD OVER 1.27µm MINIMUM NICKEL.
- 4 RECOMMENDED PC BOARD THICKNESS OF 1.57.
- 5 PLATING: CONTACTS - 2.54µm MINIMUM MATTE TIN OVER 1.27µm MINIMUM NICKEL.
HOLDDOWNS: 2.54µm MINIMUM MATTE TIN OVER 1.27µm MINIMUM NICKEL.

FINISH	DIM Z	DIM V	DIM W	NO. OF POSN	PART NUMBER
5	33.00	37.43	40.00	12	3-1445056-2
5	30.00	34.43	37.00	11	3-1445056-1
5	27.00	31.43	34.00	10	3-1445056-0
5	24.00	28.43	31.00	9	2-1445056-9
5	21.00	25.43	28.00	8	2-1445056-8
5	18.00	22.43	25.00	7	2-1445056-7
5	15.00	19.43	22.00	6	2-1445056-6
5	12.00	16.43	19.00	5	2-1445056-5
5	9.00	13.43	16.00	4	2-1445056-4
5	6.00	10.43	13.00	3	2-1445056-3
5	3.00	7.43	10.00	2	2-1445056-2
2	33.00	37.43	40.00	12	3-1445056-2
2	30.00	34.43	37.00	11	3-1445056-1
2	27.00	31.43	34.00	10	3-1445056-0
2	24.00	28.43	31.00	9	2-1445056-9
2	21.00	25.43	28.00	8	2-1445056-8
2	18.00	22.43	25.00	7	2-1445056-7
2	15.00	19.43	22.00	6	2-1445056-6
2	12.00	16.43	19.00	5	2-1445056-5
2	9.00	13.43	16.00	4	2-1445056-4
2	6.00	10.43	13.00	3	2-1445056-3
2	3.00	7.43	10.00	2	2-1445056-2

SUPERSEDED BY 3-1445056-2
 SUPERSEDED BY 3-1445056-1
 SUPERSEDED BY 3-1445056-0
 SUPERSEDED BY 2-1445056-9
 SUPERSEDED BY 2-1445056-8
 SUPERSEDED BY 2-1445056-7
 SUPERSEDED BY 2-1445056-6
 SUPERSEDED BY 2-1445056-5
 SUPERSEDED BY 2-1445056-4
 SUPERSEDED BY 2-1445056-3
 SUPERSEDED BY 2-1445056-2



PCB LAYOUT COMPONENT SIDE 4

THIS DRAWING IS A CONTROLLED DOCUMENT.

DWN: J. ROOT 03OCT2000
 CHK: K. WHITAKER 13-MAR-2001
 APVD: K. WHITAKER 13-MAR-2001

TE Connectivity

RT ANGLE SURFACE MOUNT HEADER ASSY, TIN CONTACTS W/THRU HOLE HOLDDOWNS, SINGLE ROW, MICRO MATE-N-LOK™

SIZE: A2 CAGE CODE: 00779 DRAWING NO: C-1445056

SCALE: 5:1 SHEET: 1 OF 1 REV: C4

单击下面可查看定价，库存，交付和生命周期等信息

[>>TE Connectivity\(泰科\)](#)