

DRAWING MADE IN THIRD ANGLE PROJECTION

3

2

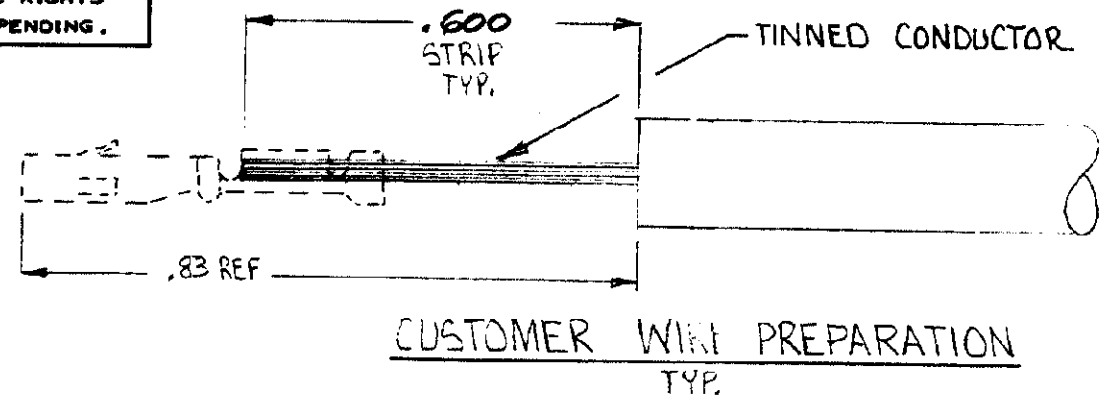
1

LOC L 37 DIST 37

THIS DRAWING IS UNPUBLISHED. RELEASED FOR PUBLICATION . 19 .
 © COPYRIGHT 19 BY AMP INCORPORATED, HARRISBURG, PA. ALL INTERNATIONAL RIGHTS RESERVED. AMP PRODUCTS MAY BE COVERED BY U.S. AND FOREIGN PATENTS AND/OR PATENTS PENDING.

REVISIONS					
P	F	ZONE	LTR	DESCRIPTION	DATE APPROVED
		0		RELEASED WAS SK-01930A-2	RN 7/2/81 M.B.
		A		REV. & ADDED DIM.	RN 7/2/81 M.B.

PART NO.	FIG.	A DIM
867157-1	I	.115DIA.
867157-2	II	.170DIA.



CUSTOMER WIRE PREPARATION TYP.

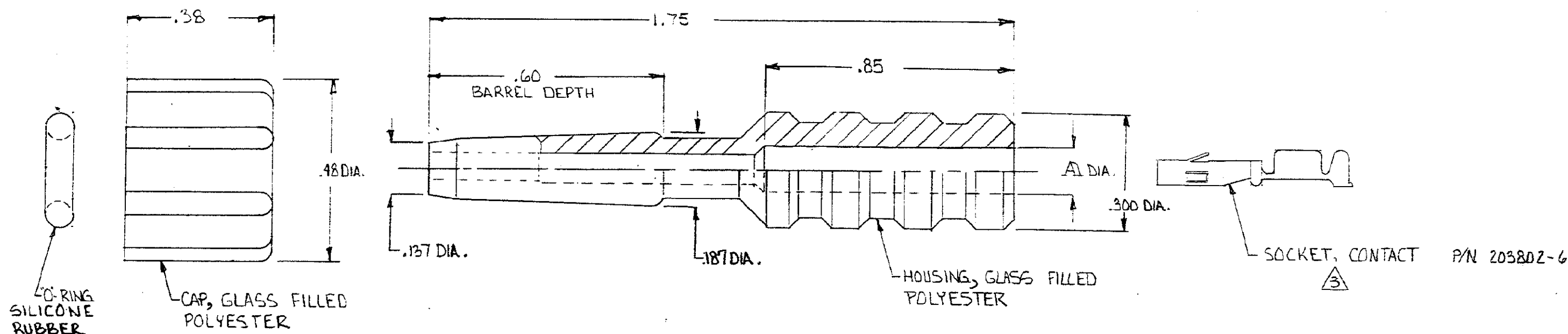


FIG. I

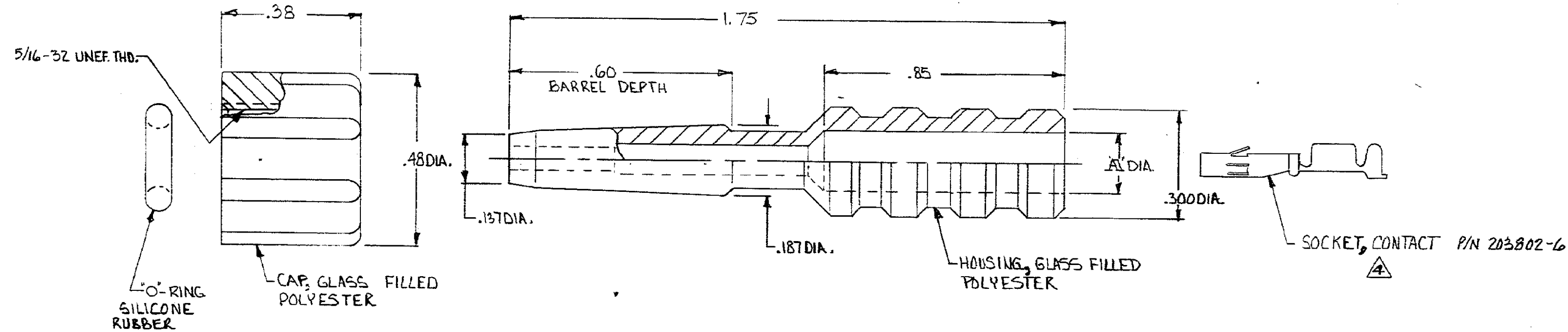


FIG. II

1. HAND TOOL: AMP 90260-1
2. EXTRACTION TOOL: AMP 91038-3
- ⊠ CONTACT TO ACCEPT #20-#22 AWG. WIRE, WITH MAX. INSULATION DIA. OF .105
- ⊠ CONTACT TO ACCEPT #20-#22 AWG. WIRE, WITH MAX. INSULATION DIA. OF .160
5. TO MATE WITH 867156 & 867158

UNLESS OTHERWISE SPECIFIED DIMENSIONS ARE IN INCHES. TOLERANCES ON: DECIMALS .XX ± .03 ANGLES .XXX ± .015	CONTRACT NO	AMP AMP INCORPORATED Harrisburg, Pa. 17105		
	DR <i>M. J. 7-6-81</i>			
	MATERIAL	NAME	COMMERCIAL PLUG KIT	
	FINISH	SIZE	FSCM NO	DRAWING NO
	OTHER APPD	C	00779	867157
		SCALE	SHEET 1 OF 1	

CUSTOMER DRAWING

单击下面可查看定价，库存，交付和生命周期等信息

[>>TE Connectivity\(泰科\)](#)