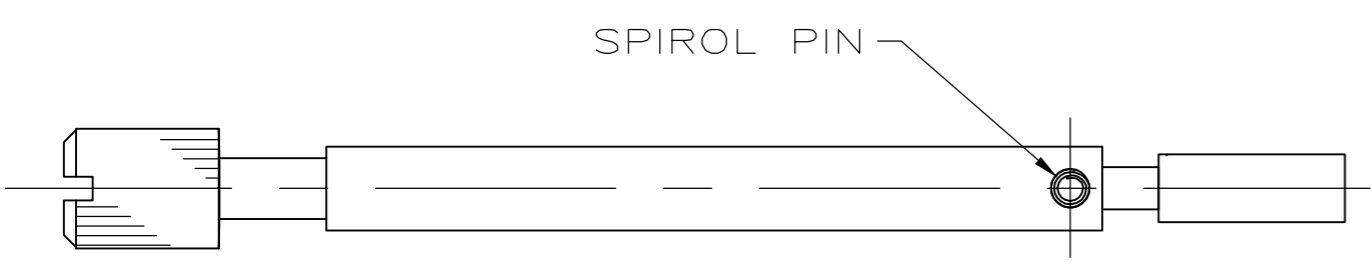
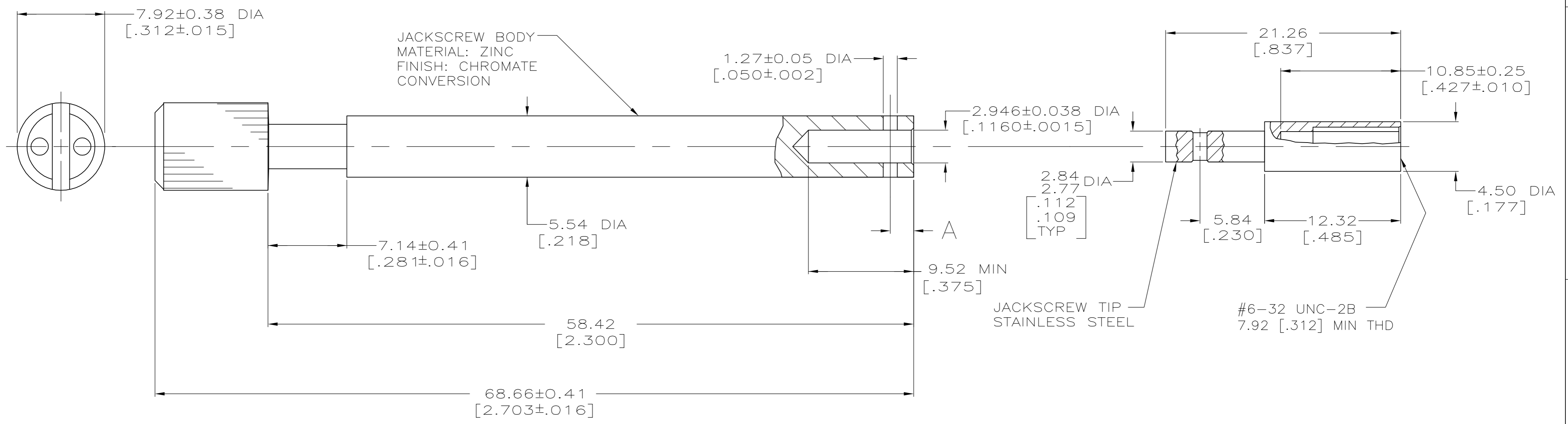


THIS DRAWING IS UNPUBLISHED. RELEASED FOR PUBLICATION  
 © COPYRIGHT BY TYCO ELECTRONICS CORPORATION. ALL RIGHTS RESERVED.

LOC	DIST	REVISIONS			
P	LTR	DESCRIPTION	DATE	DWN	APVD
FT	0	B1	REVISED PER ECO-06-25037	11/7/06	SS GS



ASSEMBLED VIEW

- ⚠ CHROMATE CONVERSION WITH HEXAVALENT CHROMATE.
- ⚠ CHROMATE CONVERSION WITHOUT HEXAVALENT CHROMATE.

OBSOLETE	⚠	3.38 [.113]	207235-5
	⚠	2.11 [.083]	207235-3
	⚠	3.38 [.113]	207235-1
NOTE	A	PART NUMBER	

THIS DRAWING IS A CONTROLLED DOCUMENT.		DWN	B.CARBO	14 MAR 96	 Tyco Electronics Corporation Harrisburg, PA 17105-3608	
DIMENSIONS: mm [INCHES]		CHK	R. STONE	18 MAR 96		
TOLERANCES UNLESS OTHERWISE SPECIFIED:		APVD	G. STEINHAUER	17 APR 96		
0 PLC ± - 1 PLC ± - 2 PLC ± 0.13 [.005] 3 PLC ± - 4 PLC ± - ANGLES ± - FINISH -		PRODUCT SPEC	-			NAME
MATERIAL	-	APPLICATION SPEC	-		SIZE	A2
-		WEIGHT	-		CAGE CODE	00779
-		CUSTOMER DRAWING	-		DRAWING NO	C=207235
-		SCALE	4:1		SHEET	1 of 1
-		REV	-		REV	B1

单击下面可查看定价，库存，交付和生命周期等信息

[>>TE Connectivity\(泰科\)](#)