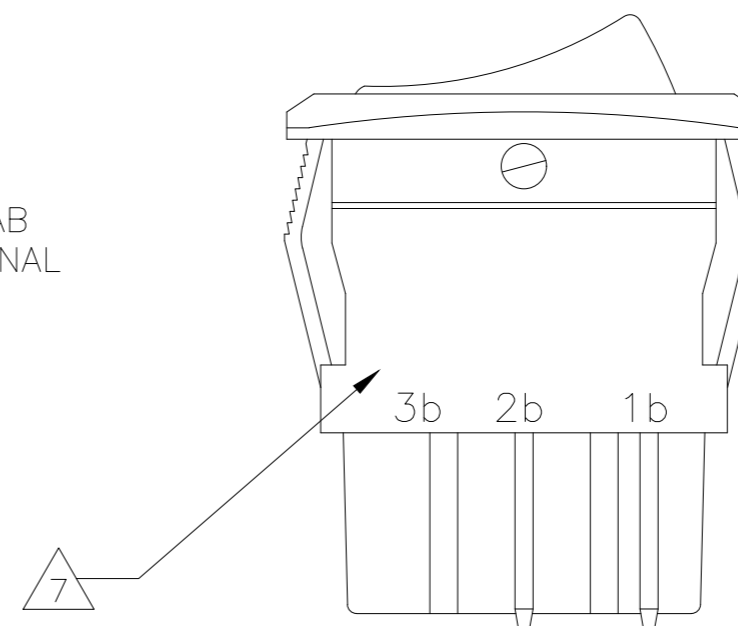
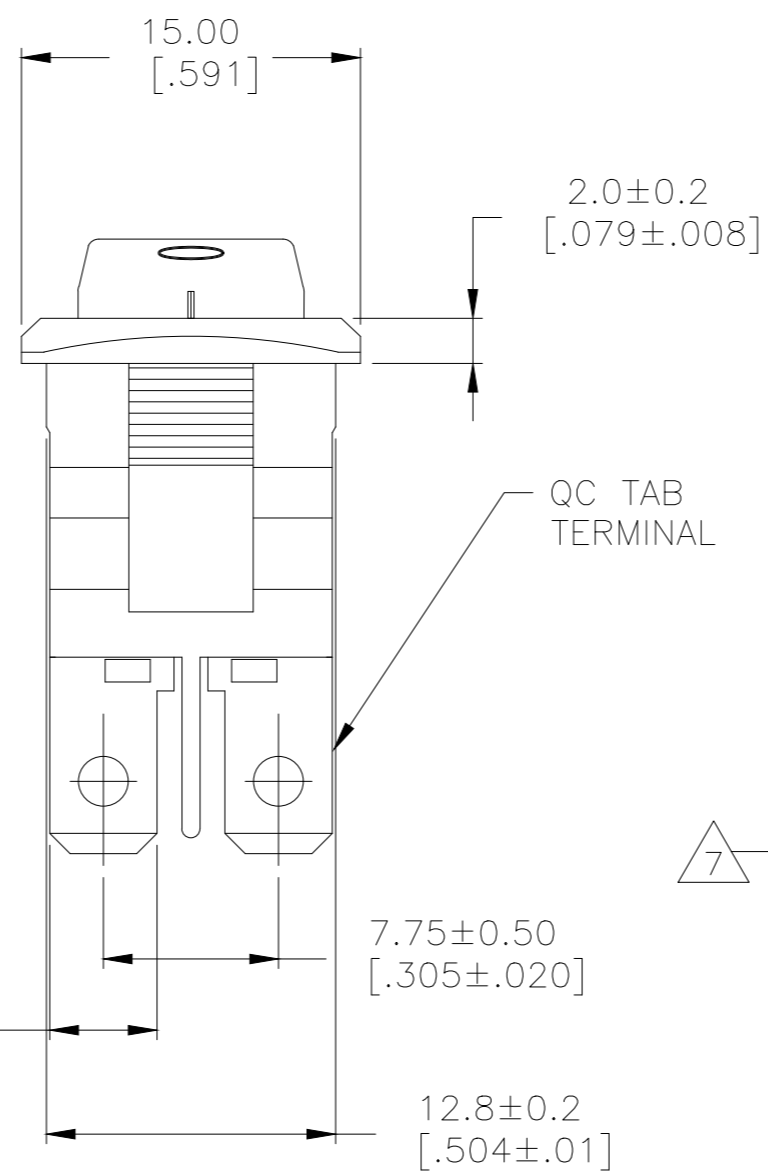
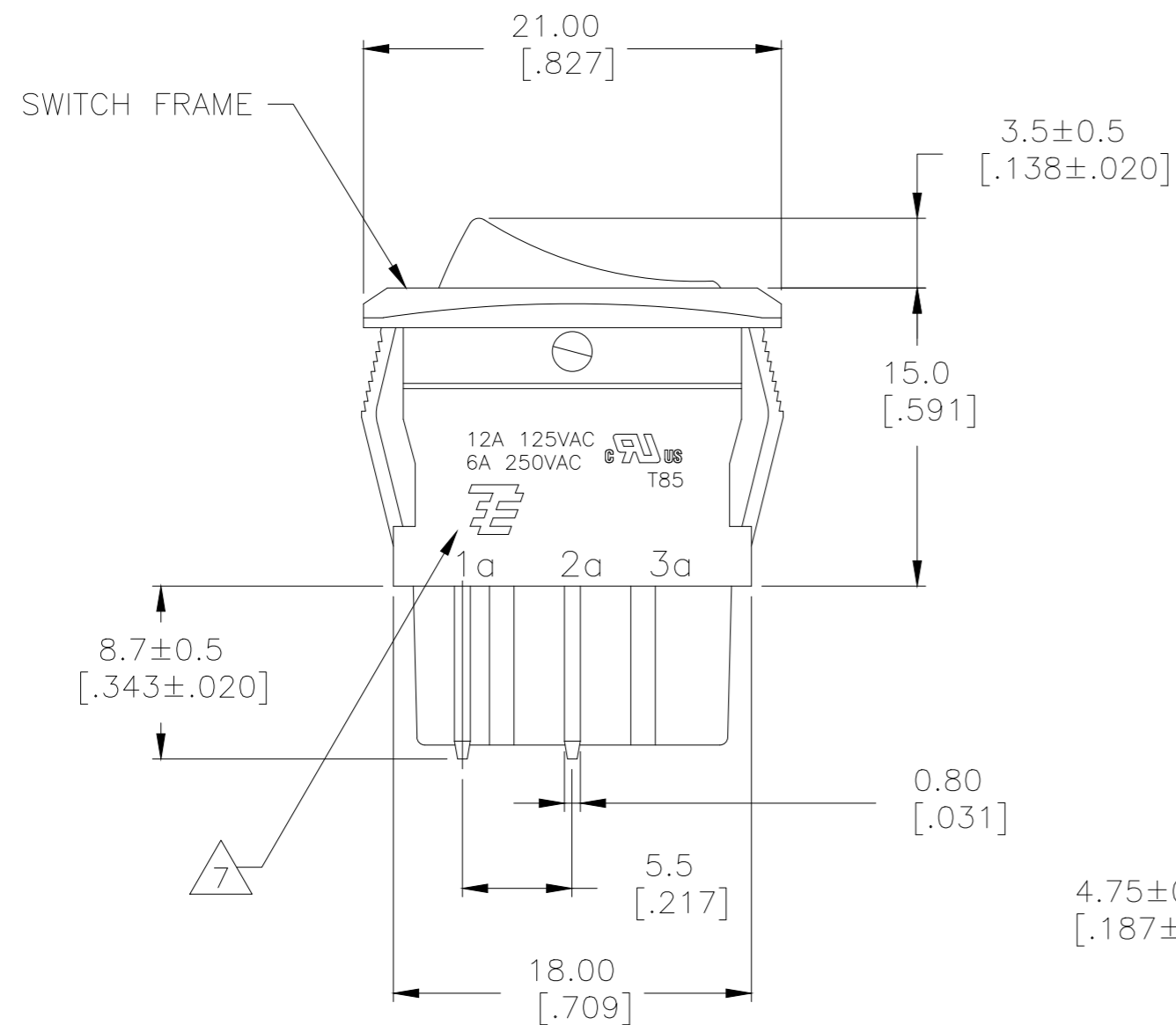
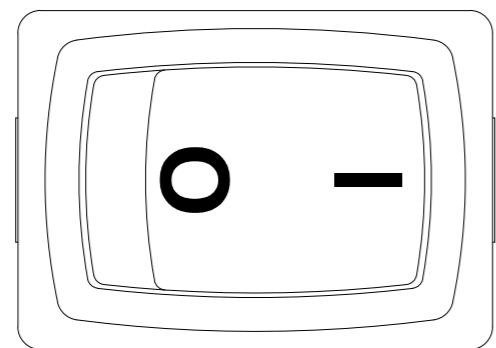
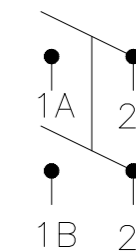


THIS DRAWING IS UNPUBLISHED. RELEASED FOR PUBLICATION  
 © COPYRIGHT - By - ALL RIGHTS RESERVED.

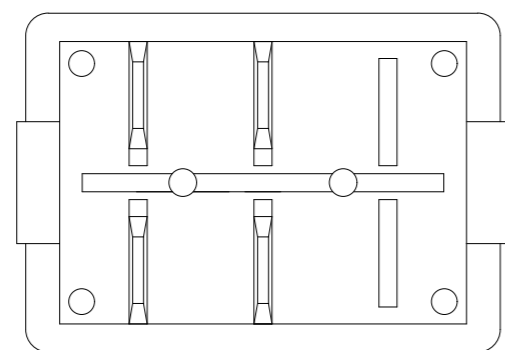
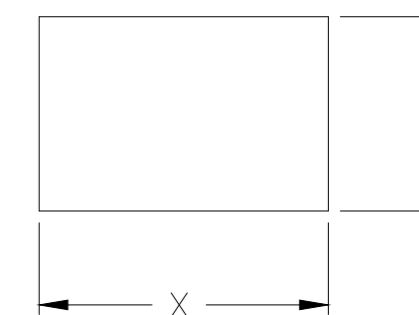
REVISIONS				
P	LTR	DESCRIPTION	DATE	APVD
A		ECO-07-019301	21AUG07	MB DR
A1		REVISED PER ECO-16-017354	10MAR2017	RK AS



SWITCH FUNCTION A1  
CIRCUIT DIAGRAM



PANEL CUT OUT



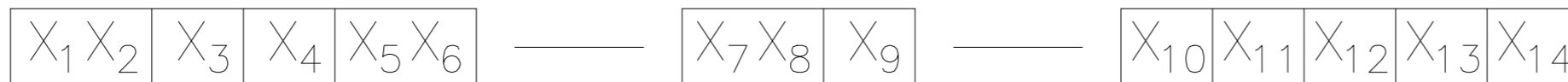
1977068-2 SHOWN

2.00-4.00 [.079-.158]	19.8-0.1 [.780-.004]	13.0+0.1 [.512+.004]
1.25-2.00 [.049-.079]	19.4-0.1 [.764-.004]	13.0+0.1 [.512+.004]
0.75-1.25 [.030-.049]	19.2-0.1 [.756-.004]	13.0+0.1 [.512+.004]
PANEL THICKNESS	X	Y

THIS DRAWING IS A CONTROLLED DOCUMENT.		DWN M. BINNER	03APR2007	<b>STE</b> TE Connectivity	
DIMENSIONS: mm [INCHES]		CHK D.ROHDE	APVD -		
TOLERANCES UNLESS OTHERWISE SPECIFIED:		PRODUCT SPEC NOT APPLICABLE		SIZE A2	CAGE CODE 00779
0 PLC ± -		APPLICATION SPEC NOT APPLICABLE		DRAWING NO C-1977068	RESTRICTED TO -
1 PLC ± 0.30 [.012]		WEIGHT		SCALE 3:1	SHEET 1 of 2
2 PLC ± 0.05 [.002]		CUSTOMER DRAWING		REV A1	
3 PLC ± -					
4 PLC ± -					
ANGLES ± -					
FINISH					

REVISIONS				
P	LTR	DESCRIPTION	DATE	APVD
-	-	SEE SHEET 1	-	-

### LEGACY PART NUMBER



SWITCH TYPE: X<sub>1</sub>X<sub>2</sub> = PR - POWER ROCKER

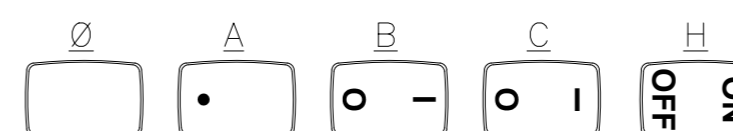
SECONDARY ROCKER COLOR: X<sub>12</sub> = Ø - NOT APPLICABLE

NOMINAL PANEL CUT OUT SIZE: X<sub>3</sub> = A - 13.0x19.2 [.512x.756]

NUMBER OF POLES: X<sub>4</sub> = D - DOUBLE

SWITCH FUNCTION: X<sub>5</sub>X<sub>6</sub> = A1 - ON-OFF, WITH OPAQUE, SINGLE-COLOR ROCKER BUTTON.

LEGEND TEXT PATTERN: X<sub>13</sub> =



CURRENT RATING: X<sub>7</sub>X<sub>8</sub> = 12 - △6

TERMINAL TYPE: X<sub>9</sub> = E - QC TAB

LEGEND TEXT COLOR: X<sub>14</sub> =

- Ø - NOT APPLICABLE
- G - GREEN
- R - RED
- B - BLACK
- W - WHITE

FRAME COLOR: X<sub>10</sub> = B - BLACK  
W - WHITE

ROCKER COLOR: X<sub>11</sub> = B - BLACK  
G - GREEN  
R - RED  
W - WHITE

- 1. **MATERIALS:**  
ROCKER BUTTON & HOUSING FRAME: NYLON 66, UL 94 V-2.  
TERMINAL, ACTIVE CONTACTOR: COPPER ALLOY PER ASTM B152/B152M  
PLUNGER: BRASS PER ASTM B036  
SPRING: STEEL WIRE PER ASTM A228/A228M
- 2. **FINISH:**  
PLUNGER: 1.02µm[.000040]MIN NICKEL
- 3. **ELECTRICAL SPECIFICATIONS:**  
CURRENT AND VOLTAGE: △6  
CONTACT RESISTANCE: (INITIAL): <100mΩ  
DIELECTRIC STRENGTH (INITIAL): >1000 VAC, 1 MINUTE  
INSULATION RESISTANCE (INITIAL): >100MΩ (500 VDC BETWEEN OPEN CONTACTS)  
ELECTRICAL LIFE ENDURANCE: >6000 OPERATIONS, VOLTAGE DROP: <100mV  
TEMPERATURE RISE AT TERMINALS: <30°C, 6000 OPERATIONS  
(AMBIENT CONDITIONS: 25±2°C AND 65±5%R.H)
- 4. **MECHANICAL SPECIFICATIONS:**  
ACTUATING FORCE: 400g MIN, 800g MAX  
OPERATING LIFE ENDURANCE: >100,000 OPERATIONS  
TERMINAL RETENTION FORCE: >6.8kg- QC TAB

- 5. **ENVIRONMENTAL SPECIFICATIONS:**  
AMBIENT TEMPERATURE: -20°C TO +85°C  
HUMIDITY: MAX 85%  
SALT SPRAY: NO REMARKABLE RUST ON METAL PARTS  
(5% SALT/ 35°C, 24HRS)  
SHOCK: NO MECHANICAL DEFECT OR DAMAGE  
(500G 11MSEC / X,Y,Z, 3 TIMES)
- 6. 12A@125VAC/6A@250VAC
- 7. ELECTRICAL RATINGS, APPROVED AGENCY LOGOS, TERMINAL IDENTIFICATION NUMBERS, AND THE TE LOGO MOLDED APPROXIMATELY AS SHOWN ON THE SIDES OF THE SWITCH HOUSING.
- 8. COMPONENT RECOGNIZED TO US & CANADIAN STANDARDS, UL FILE NO. E46765.
- 9. ROHS 2002/95/EC COMPLIANT.

OBSOLETE	PRADA1-12F-BROBW	1977068-5
	PRADA1-12F-BR000	1977068-4
	PRADA1-12F-BB0CW	1977068-3
	PRADA1-12F-BB0BW	1977068-2
	PRADA1-12F-BB000	1977068-1
	LEGACY PART NUMBER	PART NUMBER

THIS DRAWING IS A CONTROLLED DOCUMENT.		DWN M. BINNER	03APR2007	<b>STE</b> TE Connectivity	
DIMENSIONS: mm [INCHES]		CHK D.ROHDE	APVD -		
TOLERANCES UNLESS OTHERWISE SPECIFIED:		PRODUCT SPEC NOT APPLICABLE		APPLICATION SPEC NOT APPLICABLE	
MATERIAL <u>△1</u>		FINISH <u>△2</u>		SIZE A2	CAGE CODE 00779
				DRAWING NO C-1977068	RESTRICTED TO -
CUSTOMER DRAWING				SCALE 3:1	SHEET 2 of 2
				REV A1	

单击下面可查看定价，库存，交付和生命周期等信息

[>>TE Connectivity\(泰科\)](#)