

4

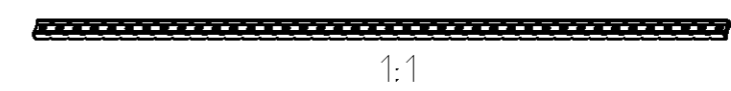
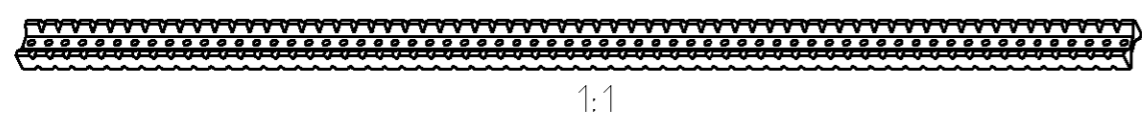
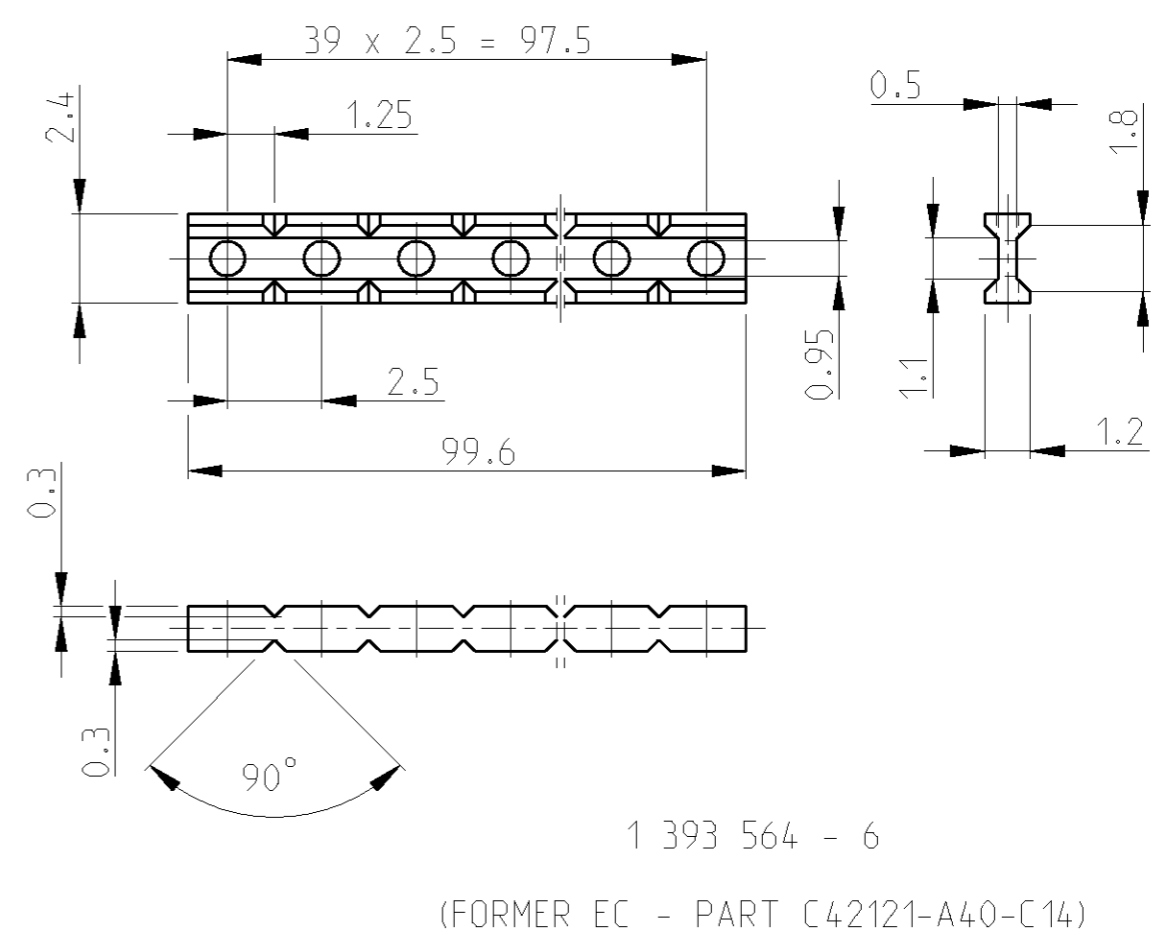
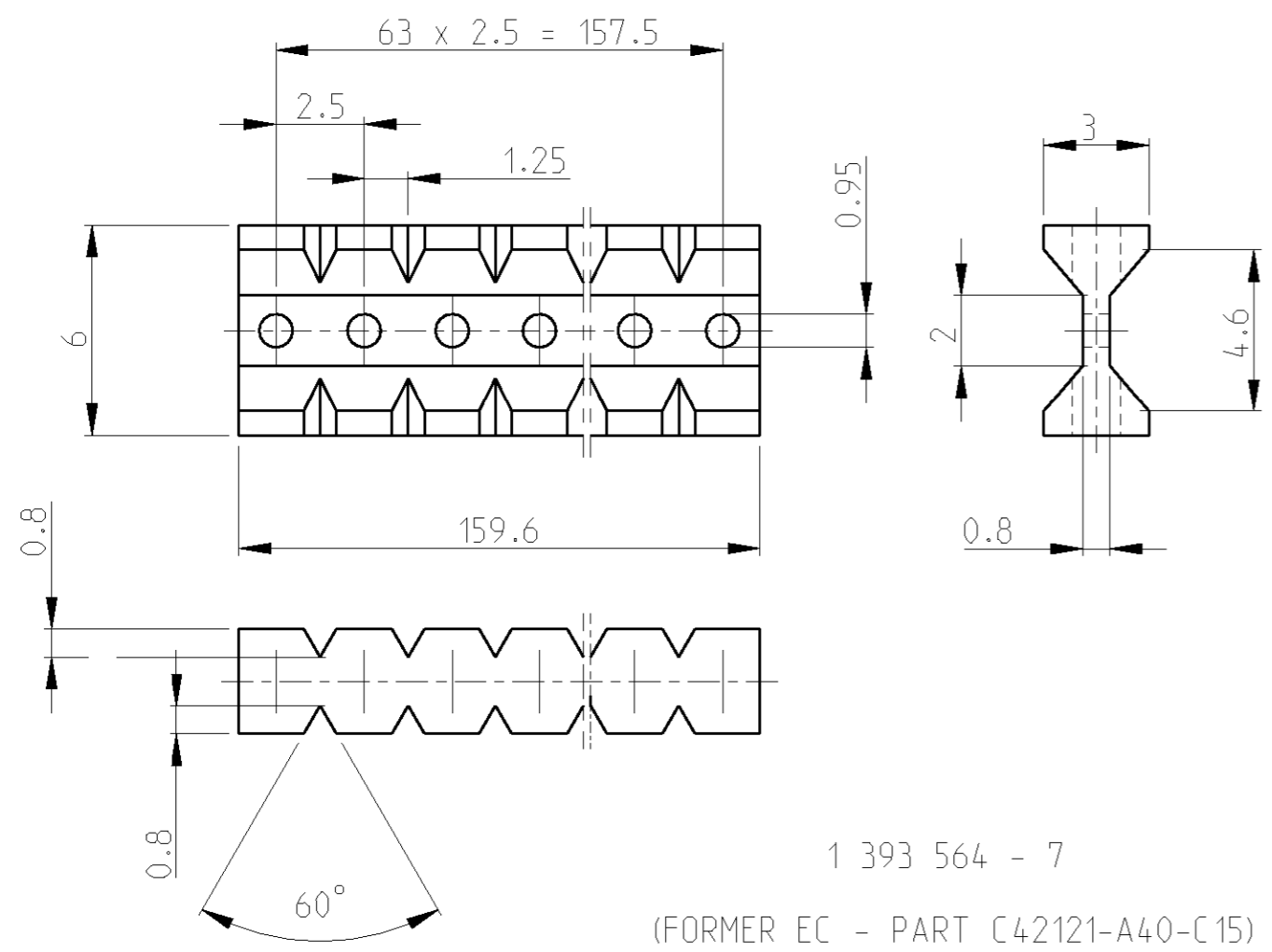
3

2

1

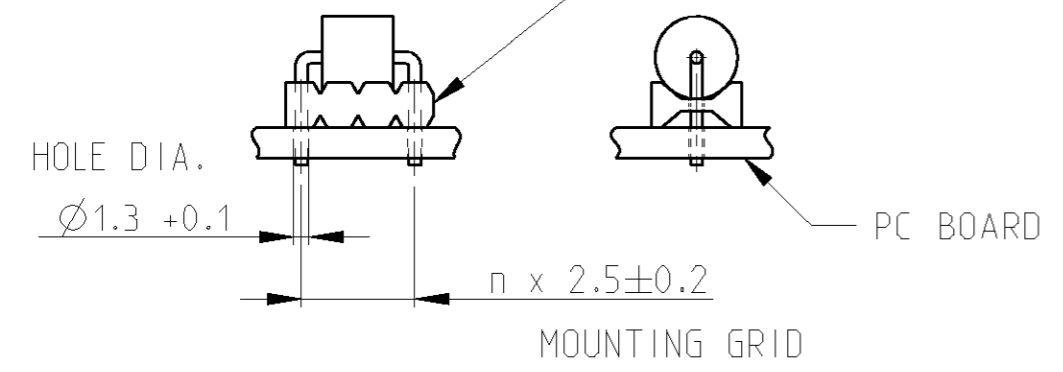
THIS DRAWING IS UNPUBLISHED. RELEASED FOR PUBLICATION 2000  
 © COPYRIGHT 2000 BY TYCO ELECTRONICS CORPORATION. ALL RIGHTS RESERVED.

LOC	DIST	REVISIONS					
		P	LTR	DESCRIPTION	DATE	DWN	APVD
A1	-		A	PART NUMBERS CHANGED TO TYCO ELECTRONICS	11SEP2001	ACK	GF



APPLICATION EXAMBLE  
2:1

CUTTED TO LENGHT  
BEFORE MOUNTING



<small>THIS DRAWING IS A CONTROLLED DOCUMENT FOR TYCO ELECTRONICS CORPORATION IT IS SUBJECT TO CHANGE AND THE CONTROLLING ENGINEERING ORGANIZATION SHOULD BE CONTACTED FOR THE LATEST REVISION.</small>		DWN G. ACKERMANN 11SEP2001 CHK M. SCHLEIHAUF APVD G. FELDMER PRODUCT SPEC APPLICATION SPEC WEIGHT -	<b>tyco</b> <b>Electronics</b> tyco Electronics AMP GmbH D - 67346 Speyer
DIMENSIONS: mm 	TOLERANCES UNLESS OTHERWISE SPECIFIED: $\pm 0.2$ 0 PLC 1 PLC 2 PLC 3 PLC 4 PLC ANGLES FINISH	NAME MOUNTING FIXTURES HALTERUNG	RESTRICTED TO
MATERIAL PC	FINISH -	SIZE A3 CAGE CODE 00779 DRAWING NO C=1393564-7	SCALE 5:1 SHEET 1 OF 1 REV A

单击下面可查看定价，库存，交付和生命周期等信息

[>>TE Connectivity\(泰科\)](#)