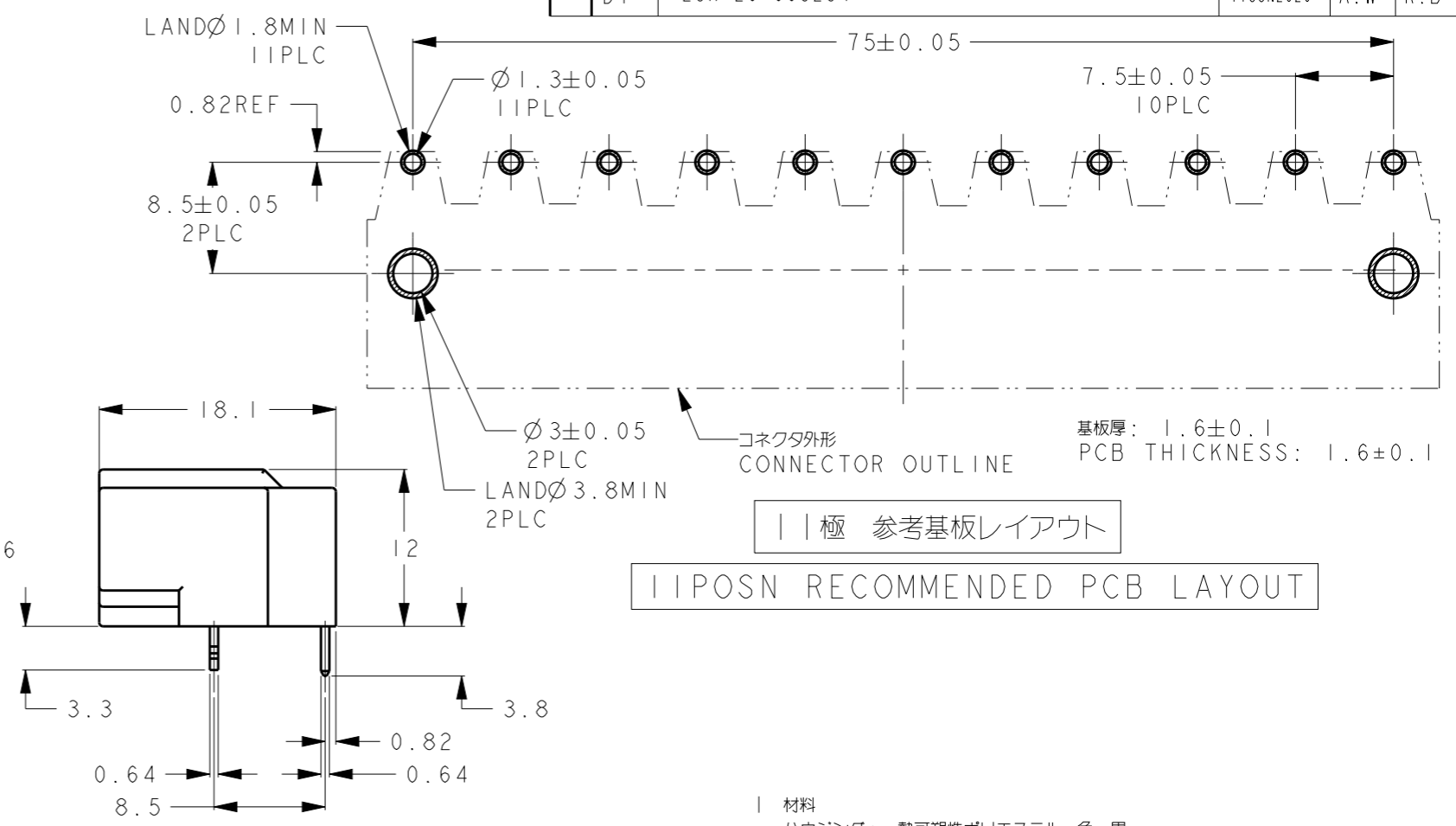
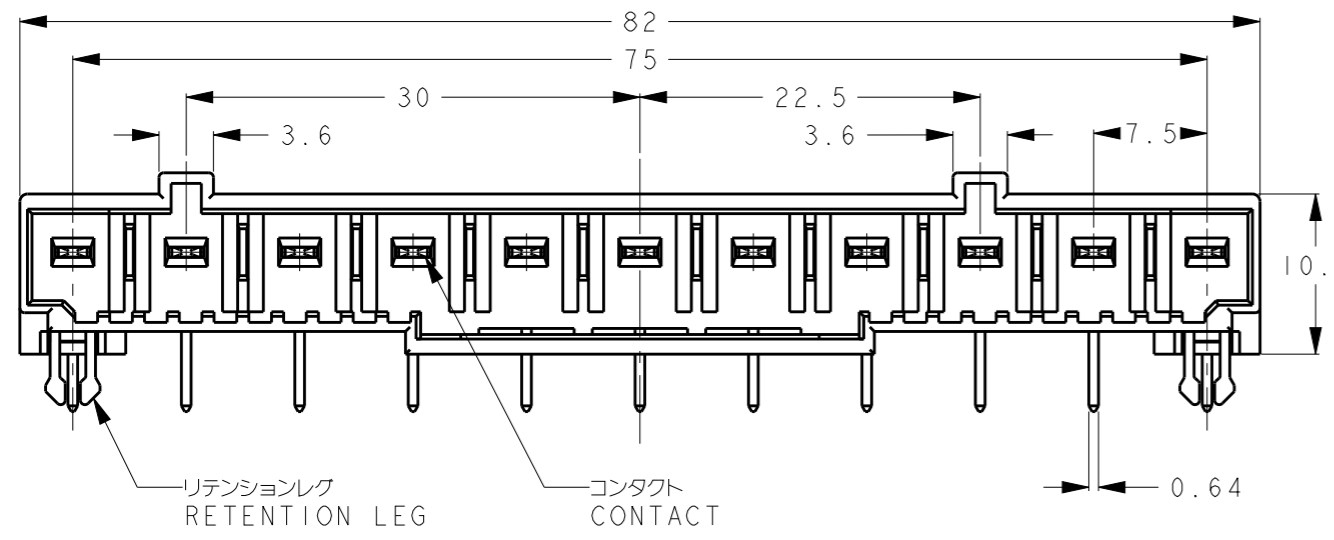
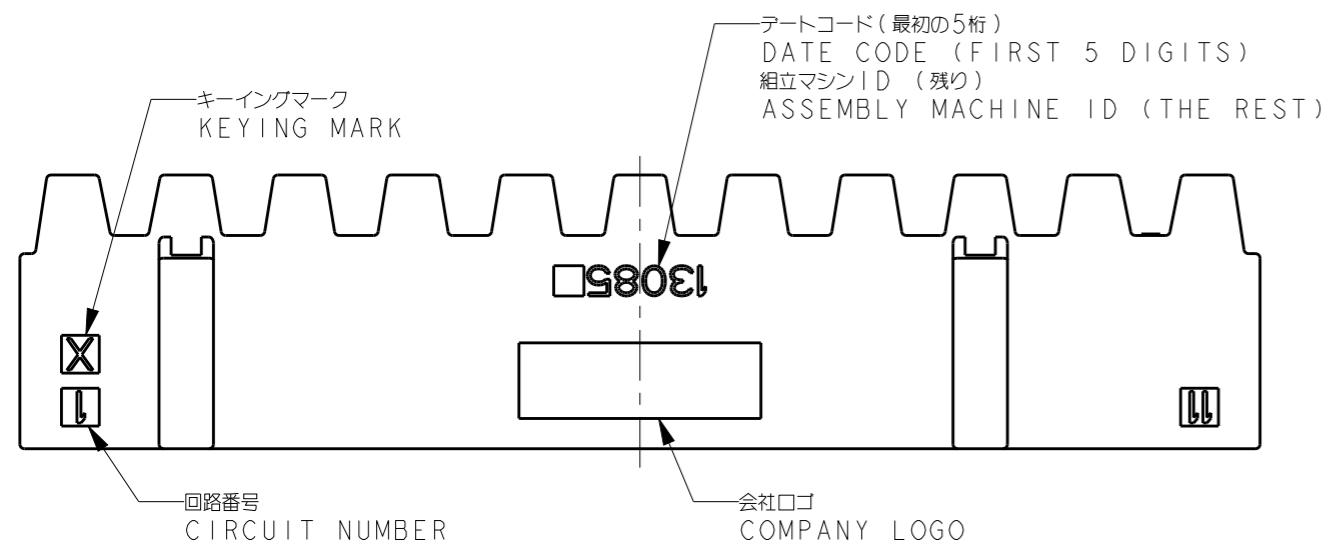


THIS DRAWING IS UNPUBLISHED. RELEASED FOR PUBLICATION XXXXX2011
 © COPYRIGHT 2011 BY Tyco Electronics Japan G.K. ALL RIGHTS RESERVED.

LOC	DIST	REVISIONS					
J	-	P	LTR	DESCRIPTION	DATE	DWN	APVD
		B		REVISED	12JUN2018	K.T	E.I
		C		REVISED PER ECR-ECR-19-008211	23MAY2019	T.S	E.I
		D		REVISED PER ECR-ECR-19-009365	14JUN2019	K.T	E.I
		DI		ECR-20-008284	11JUN2020	A.W	R.B



- 材料
ハウジング: 熱可塑性ポリエステル, 色: 黒
コンタクト: 銅合金
リテンションレグ: 銅合金
- めっき
コンタクト接点部: ニッケル下地めっき上に金めっき
リテンションレグおよびコンタクトはんだ付け部: ニッケル下地めっき上に錫めっき

- MATERIAL
HOUSING: THERMOPLASTIC POLYESTER, COLOR: BLACK.
CONTACT: COPPER ALLOY
RETENSION LEG: COPPER ALLOY
- PLATING
CONTACT POINT: UNDER Ni PLATING.
OVER Au PLATING.
RETENSION LEG AND TINE : UNDER Ni PLATING.
OVER Tin PLATING.

Y	7	1-2229803-2
X	11	1-2229803-1
X	3	3-2229803-1
キーイング KEYING	極数 POS	型番 PART NUMBER

THIS DRAWING IS A CONTROLLED DOCUMENT.

DWN Y. OKADA 20FEB2013
 CHK S. YAMADA 20FEB2013
 APVD N. YAMASAKI 20FEB2013

PRODUCT SPEC 108-78997
 APPLICATION SPEC 411-78272

WEIGHT -

Customer Drawing

SCALE 2:1
 SHEET 1 OF 2
 REV DI

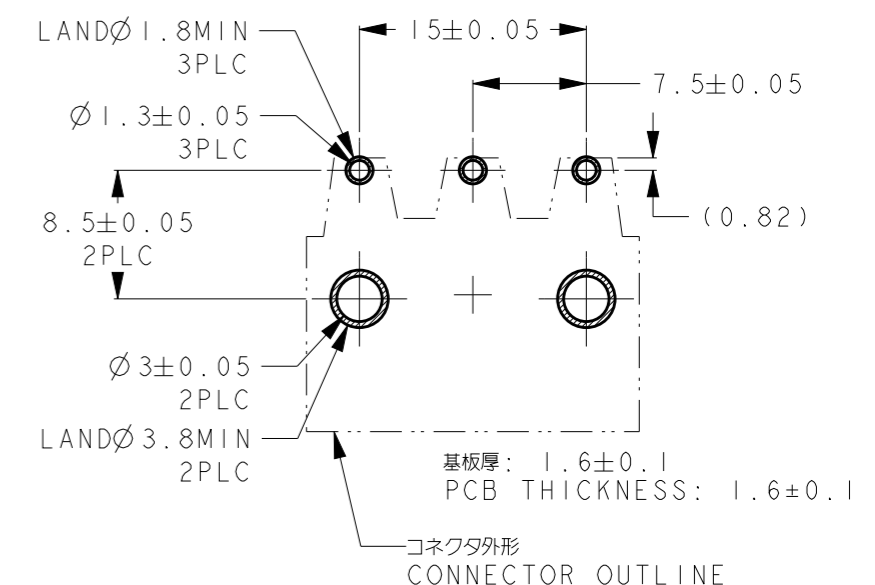
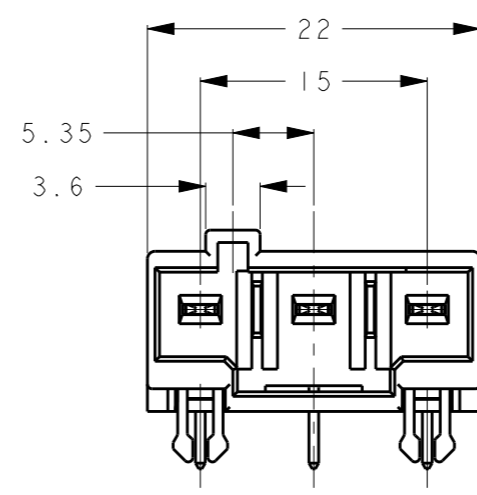
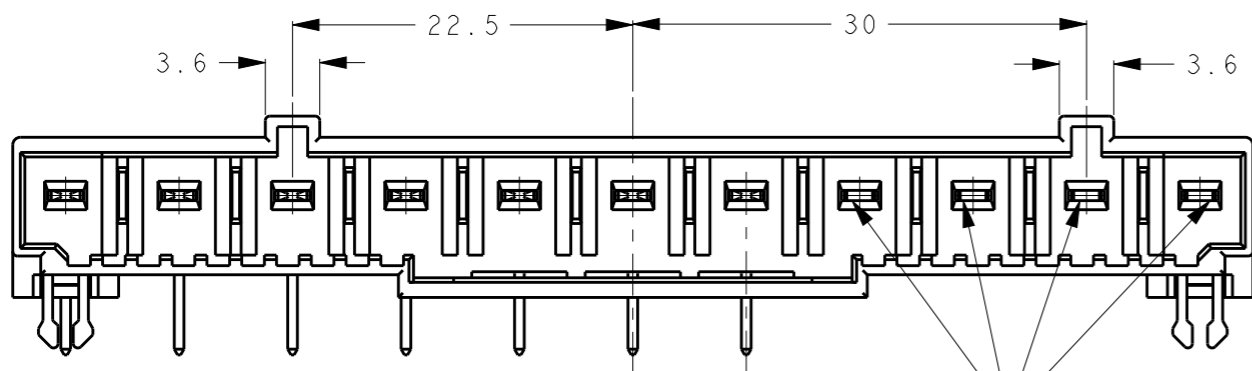
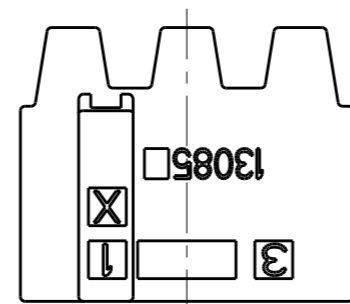
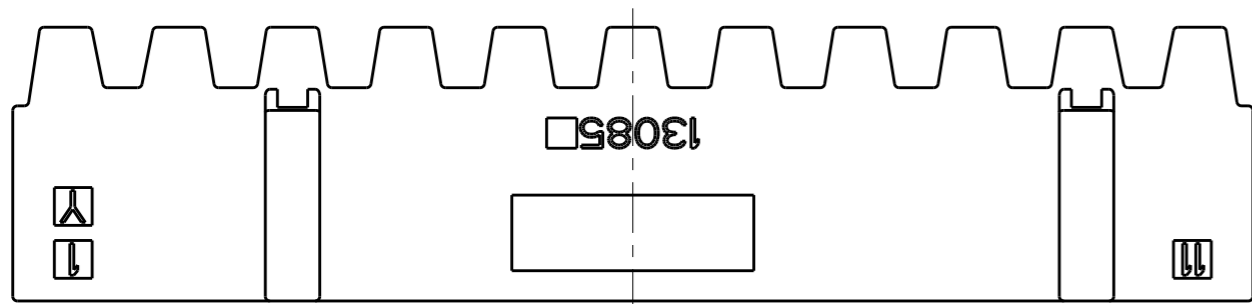
TE Connectivity

DYNAMIC D3950
 HEADER ASSEMBLY

SIZE A300779
 CAGE CODE G-2229803
 DRAWING NO
 RESTRICTED TO


THIS DRAWING IS UNPUBLISHED. RELEASED FOR PUBLICATION XXXXX2011
 © COPYRIGHT 2011 BY Tyco Electronics Japan G.K. ALL RIGHTS RESERVED.

LOC	DIST	REVISIONS					
		P	LTR	DESCRIPTION	DATE	DWN	APVD
J	-			SEE SHEET 1			



1-2229803-2 (7POSN KEYING: Y)

3-2229803-1 (3POSN KEYING: X)

THIS DRAWING IS A CONTROLLED DOCUMENT.		DWN Y. OKADA 20FEB2013	 TE Connectivity	
DIMENSIONS: 単位: 丸 mm		CHK S. YAMADA 20FEB2013		
TOLERANCES UNLESS OTHERWISE SPECIFIED: 一般公差 ± 0.3		APVD N. YAMASAKI 20FEB2013	NAME 名称 DYNAMIC D3950 HEADER ASSEMBLY	
0 PLC \pm		PRODUCT SPEC 108-78997	SIZE A300779	
1 PLC ± 0.5		APPLICATION SPEC 411-78272	CAGE CODE G-2229803	
2 PLC ± 0.13		WEIGHT -	DRAWING NO. 2229803	
3 PLC ± 0.013		Customer Drawing	RESTRICTED TO -	
4 PLC ± 0.000			SCALE 2:1	
ANGLES ± 5			SHEET 2 OF 2	
MATERIAL 材料 SEE NOTE			REV D1	
FINISH 仕上 SEE NOTE				

单击下面可查看定价，库存，交付和生命周期等信息

[>>TE Connectivity\(泰科\)](#)