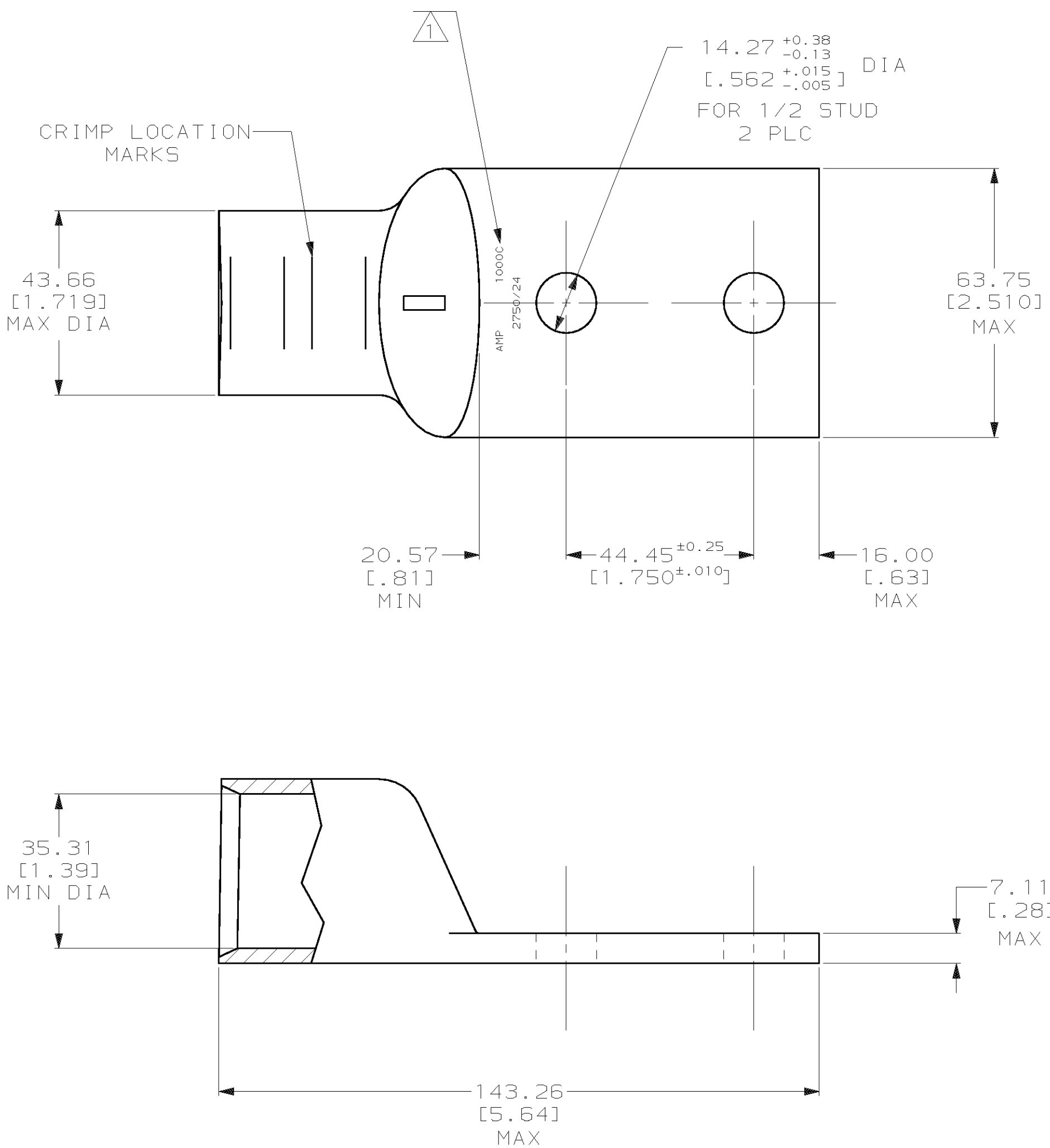


THIS DRAWING IS UNPUBLISHED. RELEASED FOR PUBLICATION, 19 .
 © COPYRIGHT 19 BY AMP INCORPORATED. ALL INTERNATIONAL RIGHTS RESERVED.

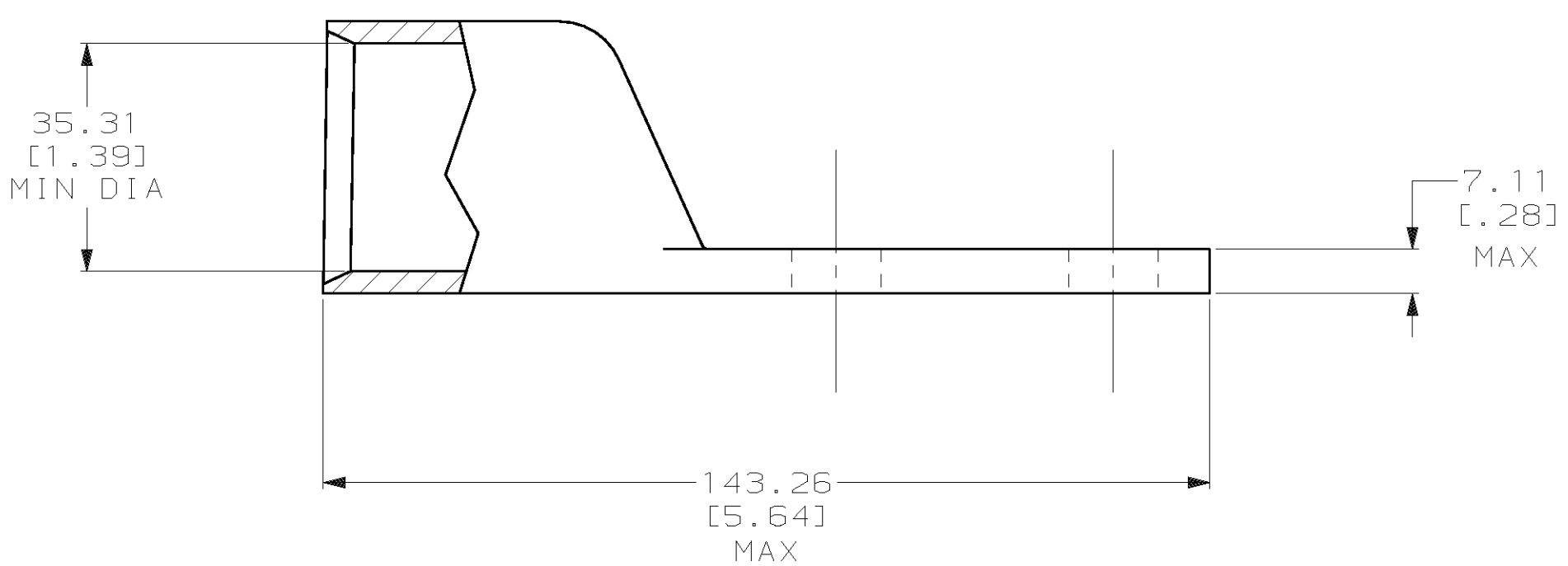
LOC	DIST	P	F	ZONE	LTR	DESCRIPTION	DATE	APPD
G	86				B	REV PER 063A-0561-01	09OCT02	JR TM

METRIC
 DIMENSIONS LISTED IN mm [INCHES]



△ STAMP AMP 1000C 2750/24 APPROX AS SHOWN

AMP WIRE RANGE	UL Listed	LR7189 Certified	MILITARY P/N AND CLASS
525.7mm ² [1000] MCM STRANDED	525.7mm ² [1000] MCM STRANDED	525.7mm ² [1000] MCM STRANDED	NOT APPLICABLE



AMP INCORPORATED CUSTOMER SERVICE SYSTEMS		MAX RECOMMENDED OPERATING TEMPERATURE: 170°C MAX	DO NOT SCALE PRINT. UNLESS SPECIFIED DIMENSIONS IN mm [INCHES] TOLERANCES ON: 2 PLC DEC ± 0.20 [0.008] 3 PLC DEC ± - ANGLES ± -	DR 10/19/90 DK SCHRUM	AMP AMP Incorporated Harrisburg, PA 17105-3608	
FOR ADDITIONAL PRODUCT INFORMATION OR COPIES OF DRAWINGS AND TECHNICAL DOCUMENTS	PRODUCT INFORMATION CENTER 1-800-522-6752	VOLTAGE RATING: -	MATERIAL COPPER ASTM B-75 ANNEALED	CHK 8/17/92 AJ KAUFMAN	NAME TERMINAL, RECTANGULAR TONGUE, AMPOWER™	
FOR APPLICATION TOOLING INFORMATION	CUSTOMER SERVICE HOTLINE 1-800-722-1111	CIRCULAR MIL AREA: 950 - 1125 MCM STRANDED	FINISH SEE TABLE	APPD 8/17/92 WJ VOCKROTH	PRODUCT SPEC 108-30200	SIZE C 00779
FOR ORDER ENTRY	1-800-526-5142	THIS DRAWING IS A CONTROLLED DOCUMENT FOR AMP INCORPORATED. IT IS SUBJECT TO CHANGE AND THE CONTROLLING ENGINEERING ORGANIZATION SHOULD BE CONTACTED FOR THE LATEST REVISION.		APPD 8/17/92 CR RHOADS	APPLICATION SPEC -	DRAWING NO C-327294
				WEIGHT 1.11 lbs.	SCALE 1:1	SHEET 1 OF 1

单击下面可查看定价，库存，交付和生命周期等信息

[>>TE Connectivity\(泰科\)](#)