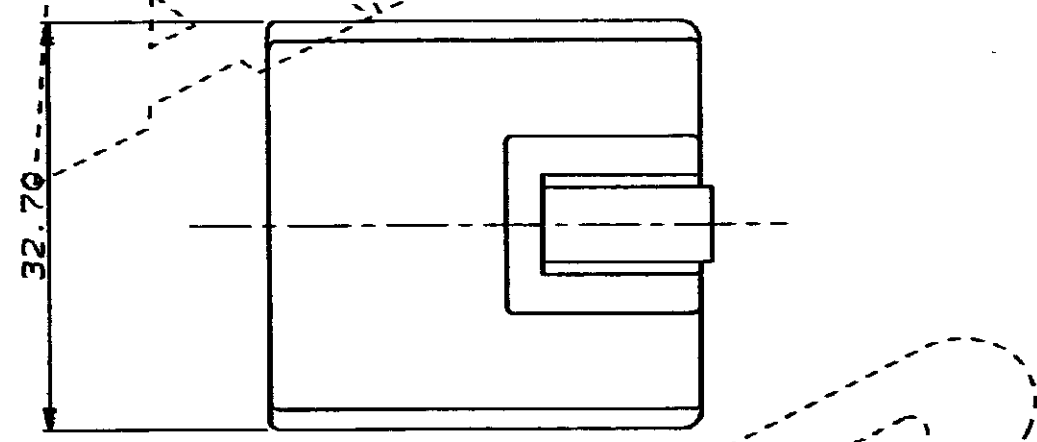
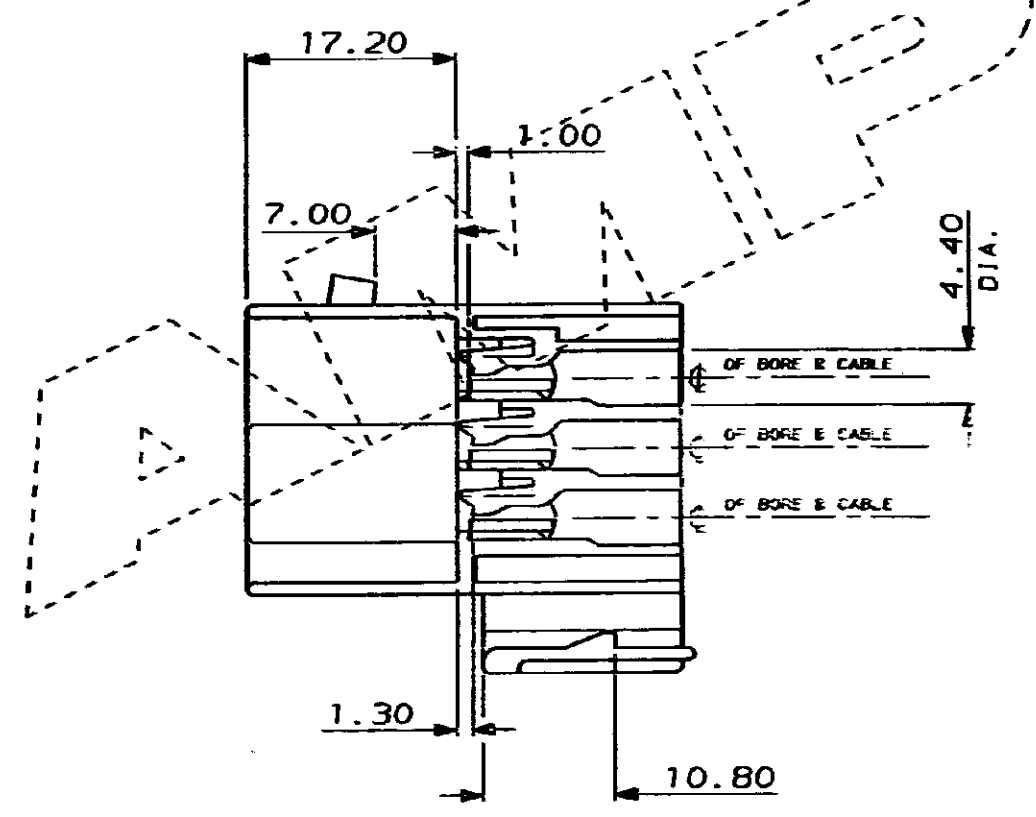
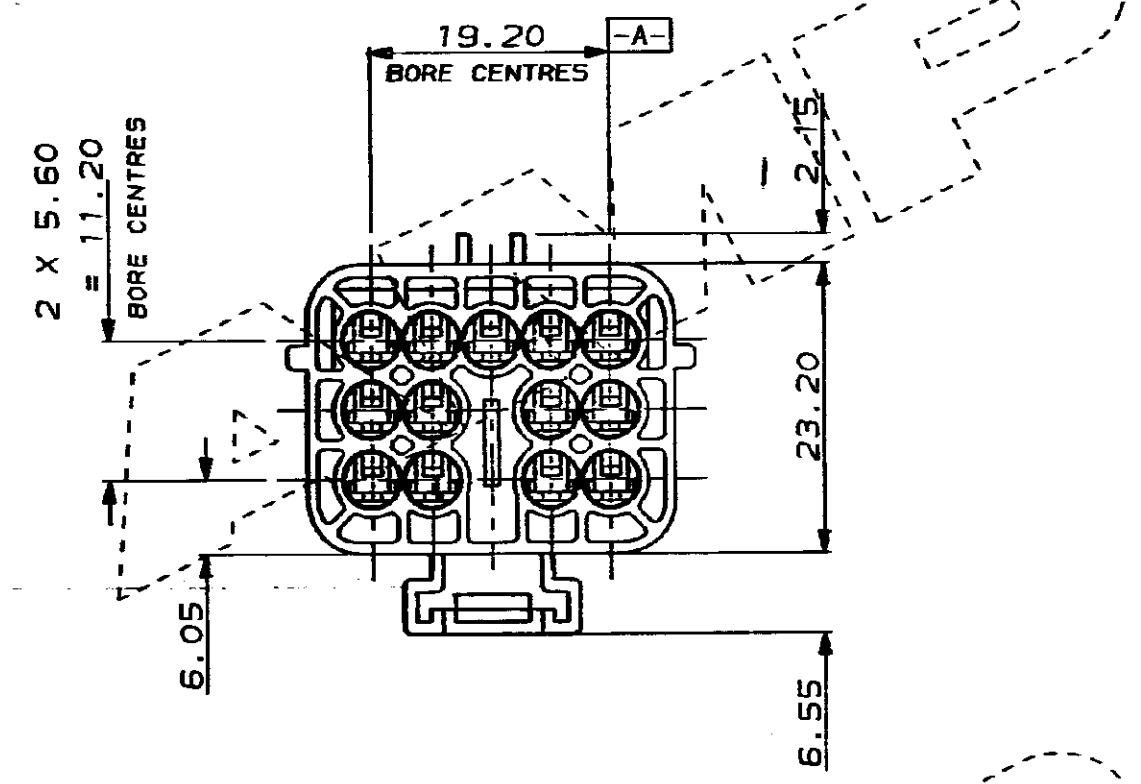
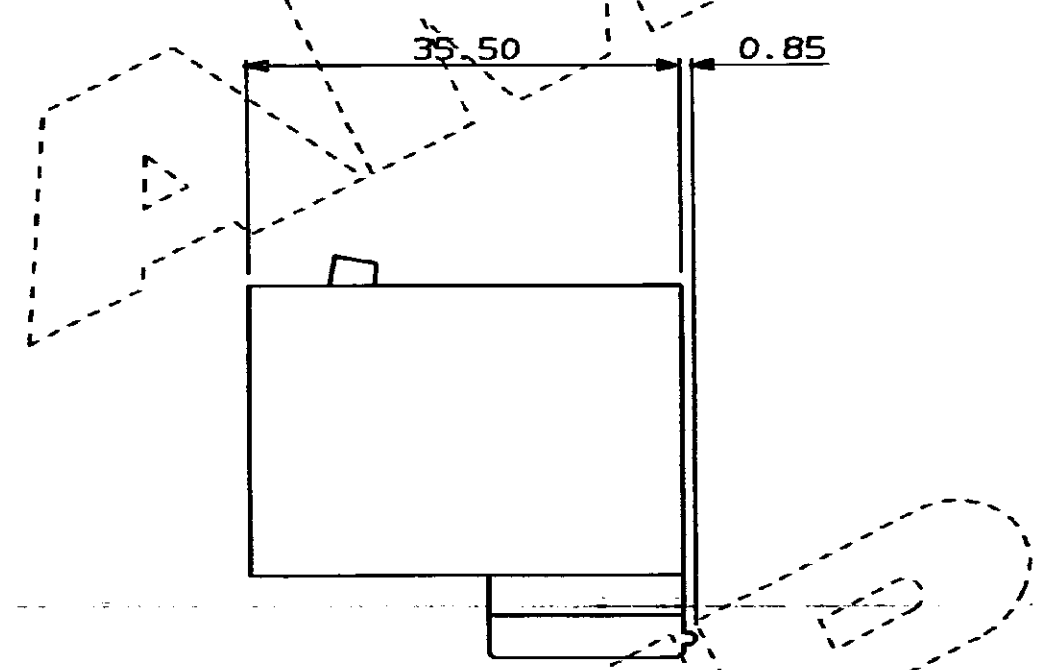
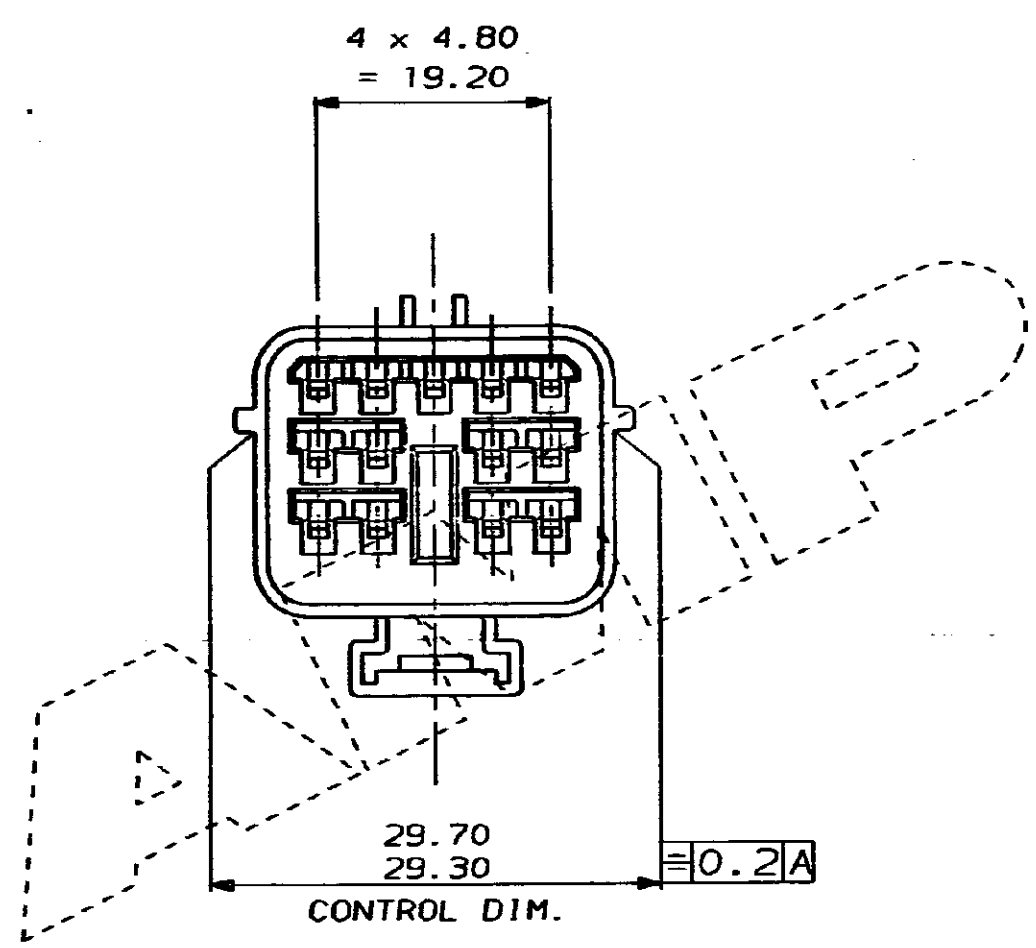


C.A.D. FILE CODE  
S. C344260.E

DO NOT SCALE DIMENSIONS IN MM.



|   |           |                                   |
|---|-----------|-----------------------------------|
| BLUE  | NYLON 6.6 | 344260-3                          |
| WHITE   | NYLON 6.6 | 344260-2                          |
| BLACK   | NYLON 6.6 | 344260-1                          |
| FINISH  | MATERIAL  | PART NUMBER                       |
| CUSTOMER DWG FOR REFERENCE ONLY                 |           | RELEASED FOR PUBLICATION 3/11/87  |
| TOLERANCES UNLESS OTHERWISE STATED              |           | DR. I. J. 27 OCT 1987             |
| DEC ± 0.5                                       |           | CH. R. J. S. APP. B. J.           |
| ANGLES ± 1°                                     |           | AMP TERMINAL HOUSE STANMORE HIDD. |
| NAME 13 WAY TAB HOUSING ECONOSEAL 3 LOW CURRENT |           |                                   |
| SCALE 2/1                                       | LOC E     | SIZE A2                           |
| DWG. No. C344260                                | REV E     | SHEET 1/1                         |
| REV CHANGE DETAILS                              | ECN       | DATE                              |

单击下面可查看定价，库存，交付和生命周期等信息

[>>TE Connectivity\(泰科\)](#)