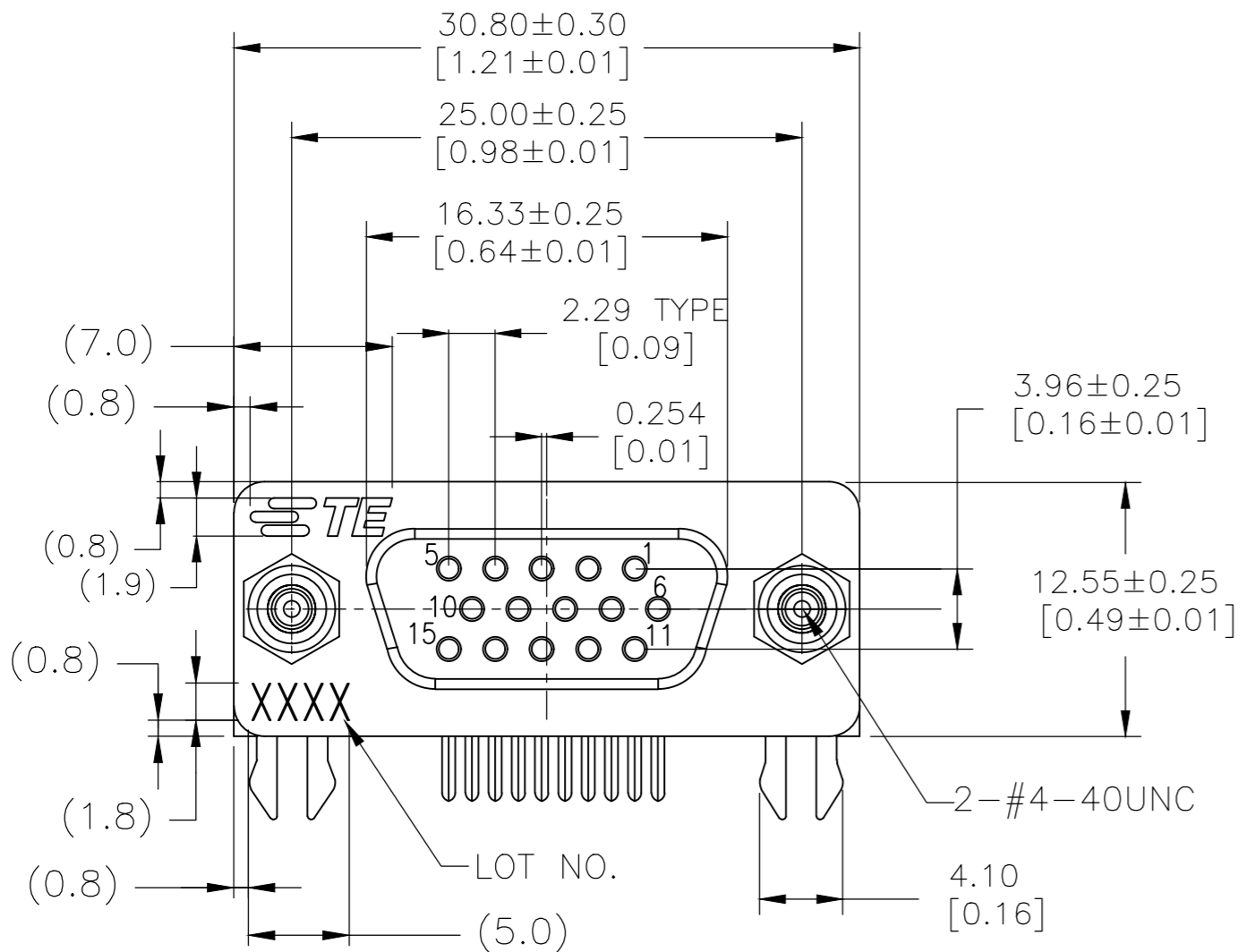
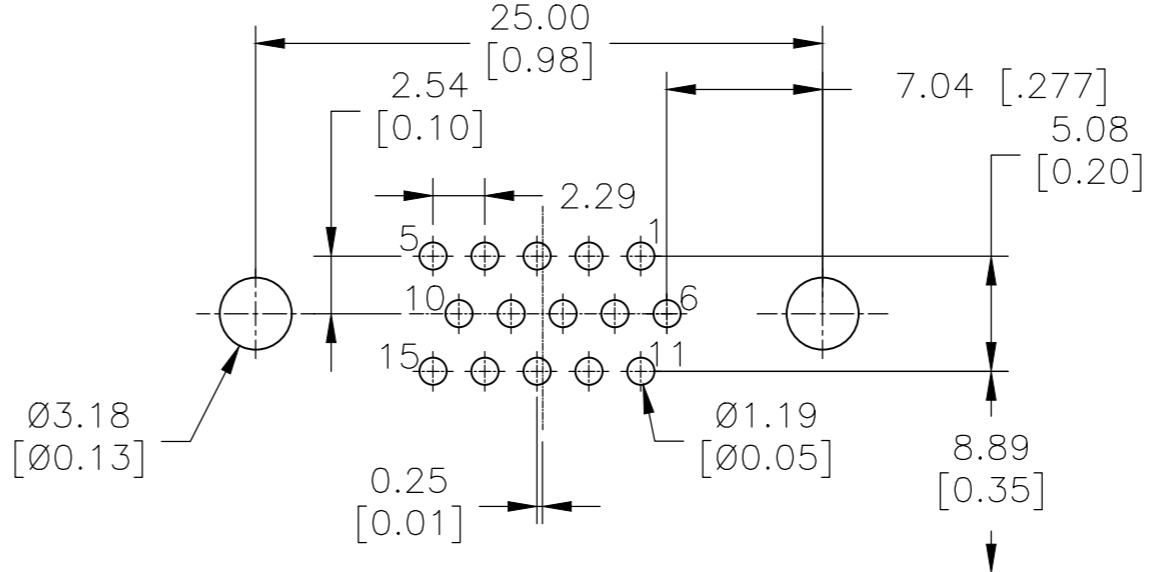


THIS DRAWING IS UNPUBLISHED. RELEASED FOR PUBLICATION
 © COPYRIGHT - TE Connectivity ALL RIGHTS RESERVED.

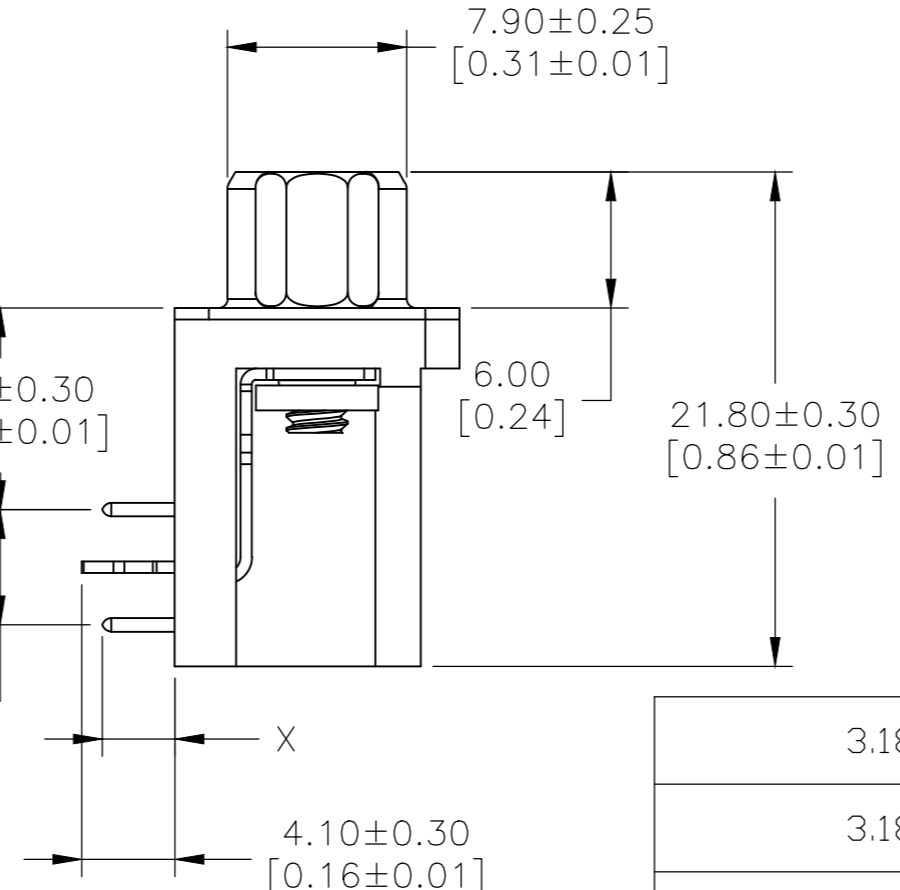
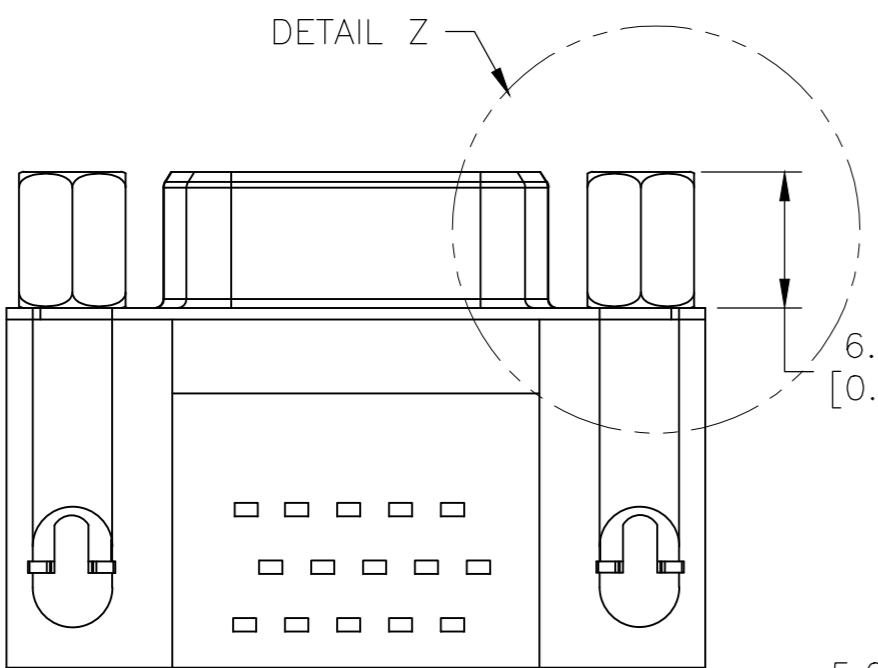
REVISIONS				
P	LTR	DESCRIPTION	DATE	APVD
D		REVISED PER ECO-18-008015	24MAY2018	AP DG



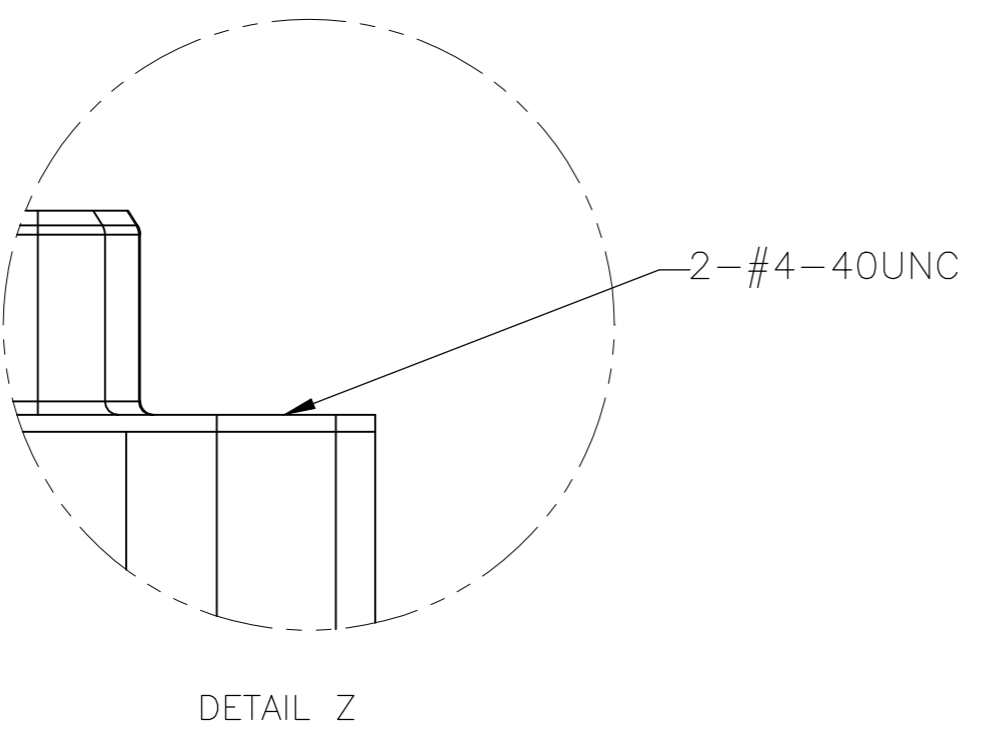
RECOMMENDED P.C.B LAYOUT(TOP SIDE)
 (PCB BOARD TOLERANCE±0.05)



NOTES:
 INSULATOR:PA9T+G.F UL94V-0
 CONTACT:PHOSPHOR BRONZE
 " GOLD PLATING ON CONTACT AREA
 100u" MATTE TIN PLATING ON SOLDERTAIL
 50u" NICKEL UNDERPLATED OVERALL
 HOLDDOWN:BRASS,100u" TIN OVER 50u" NICKEL
 SHEEL:SPCC,50u" NICKEL PLATING OVERALL
 RIVET:BRASS,NICKEL PLATING OVERALL
 SCREWLOCK:BRASS,NI PLATED



LOT NUMBER "XXXX"
 STANDS FOR CALENDAR YEAR
 STANDS FOR WEEK NUMBER



3.18 [0.13]	300U BLUE	NO SEE DETAIL Z	30µ" Au	2311586-5
3.18 [0.13]	300U BLUE	NO SEE DETAIL Z	Au Flash	2311586-4
2.7 [0.11]	BLACK	YES	15µ" Au	2311586-3
2.7 [0.11]	661C BLUE	YES	Au Flash	2311586-2
3.18 [0.13]	300U BLUE	YES	Au Flash	2311586-1
X ± 0.38 [± 0.015]	HOUSING COLOR	SCREWLOCK	Contact Area Plating	P/N

THIS DRAWING IS A CONTROLLED DOCUMENT.

DWN	AJITH PAI	20FEB2017	TE Connectivity								
CHK	DANIEL GORENC	20FEB2017									
APVD	DANIEL GORENC	20FEB2017									
NAME	AMPLIMITE RECEPTACLE, HD22, RIGHT ANGLE, 15P										
PRODUCT SPEC	108-130023		SIZE	A2	CAGE CODE	00779	DRAWING NO	C=2311586	RESTRICTED TO	-	
APPLICATION SPEC	-		WEIGHT	-		SCALE	3:1	SHEET	1 of 1	REV	D
MATERIAL	-		CUSTOMER DRAWING								

单击下面可查看定价，库存，交付和生命周期等信息

[>>TE Connectivity\(泰科\)](#)