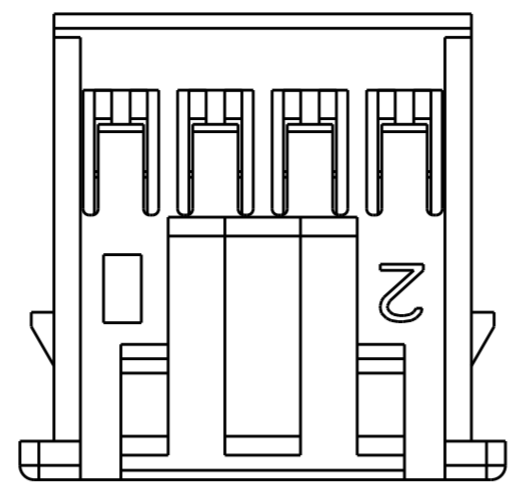
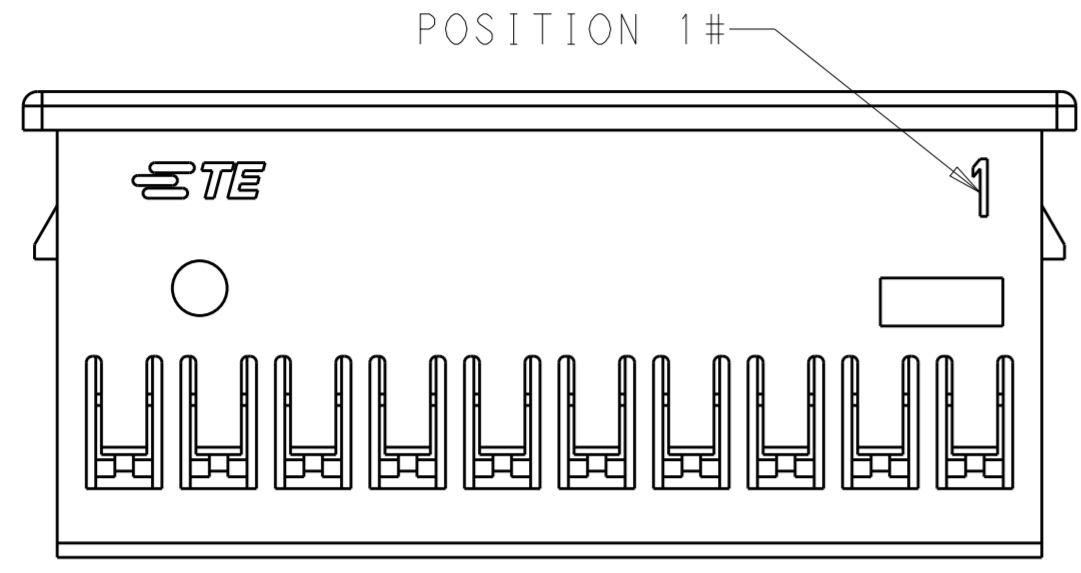
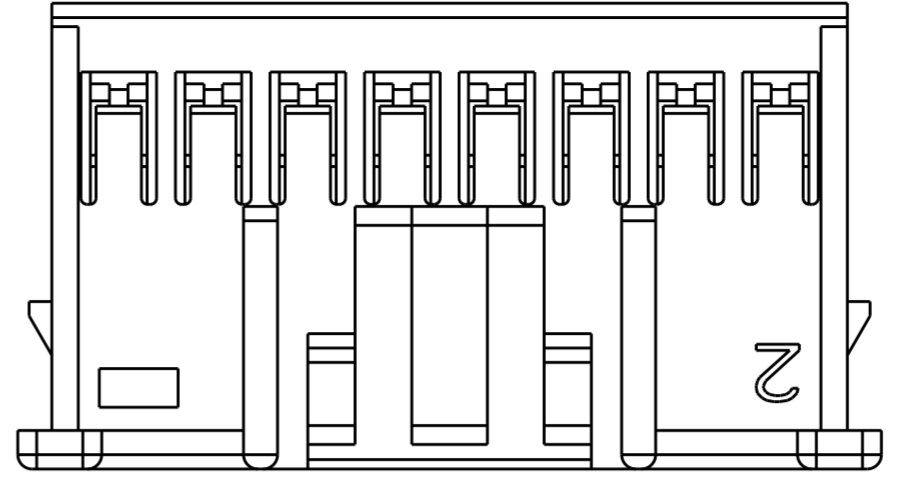


THIS DRAWING IS UNPUBLISHED. RELEASED FOR PUBLICATION 20
 © COPYRIGHT 20 BY - ALL RIGHTS RESERVED.

REVISIONS				
P	LTR	DESCRIPTION	DATE	APVD
A		FIRST RELEASED	16AUG2019	WH DZ



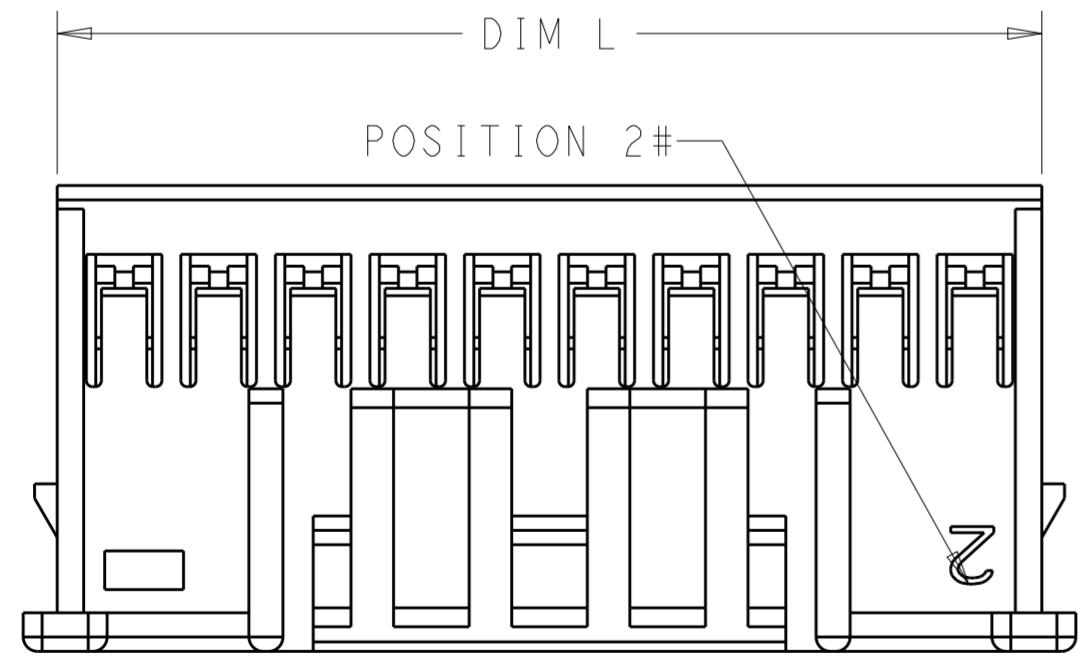
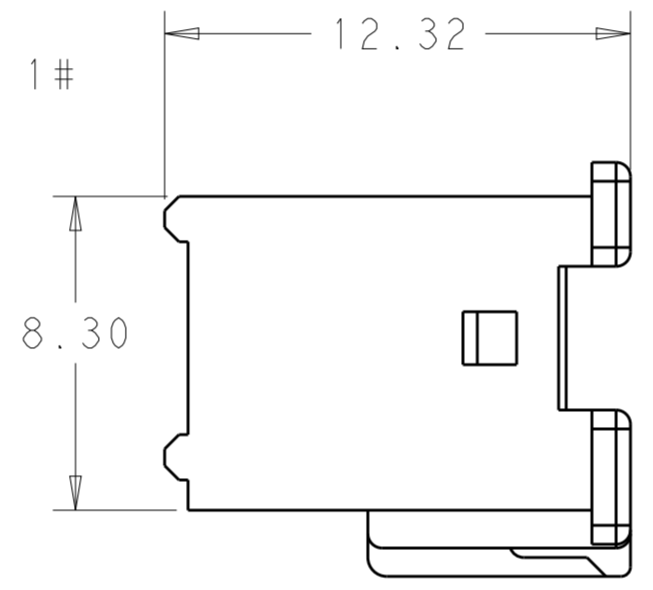
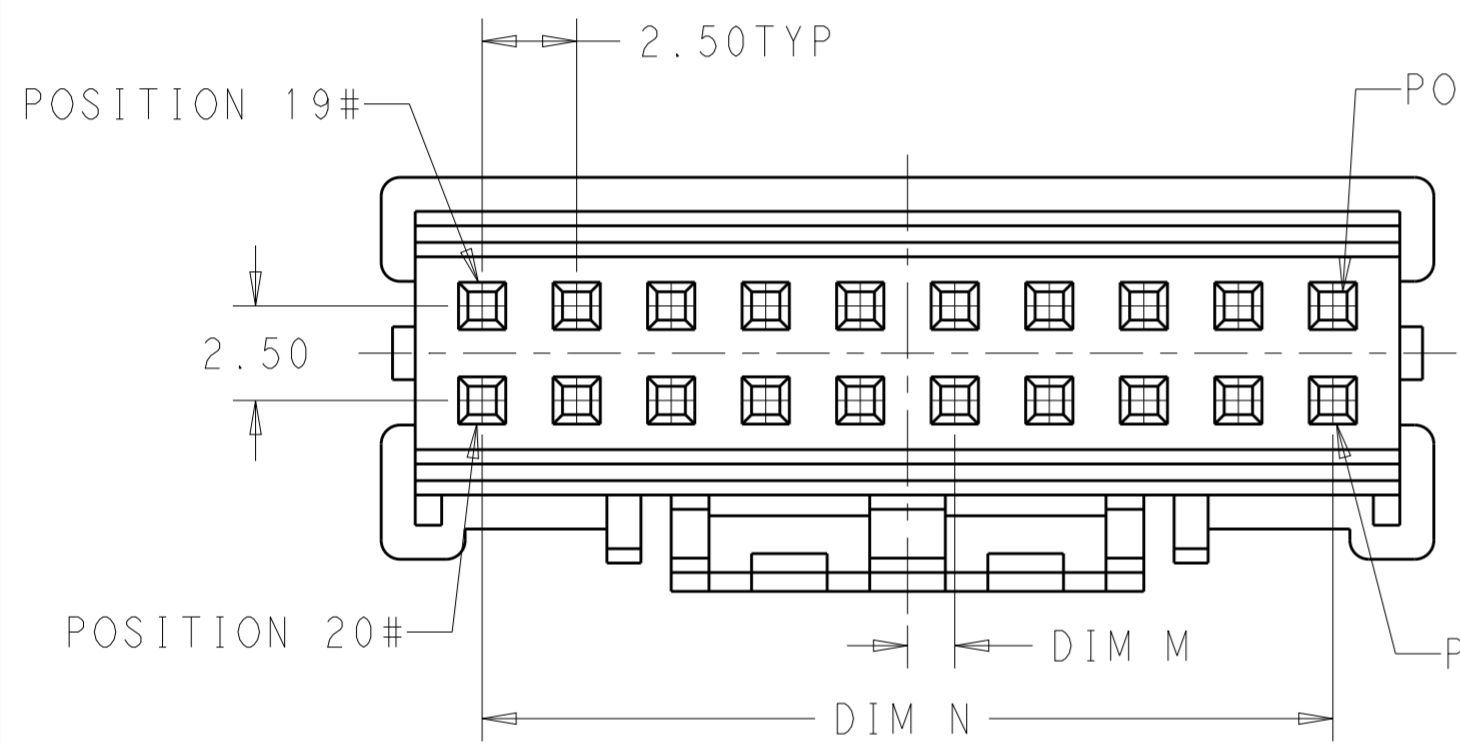
SINGLE LATCH DETAIL FOR
2323743-8 AND 1-2323743-0



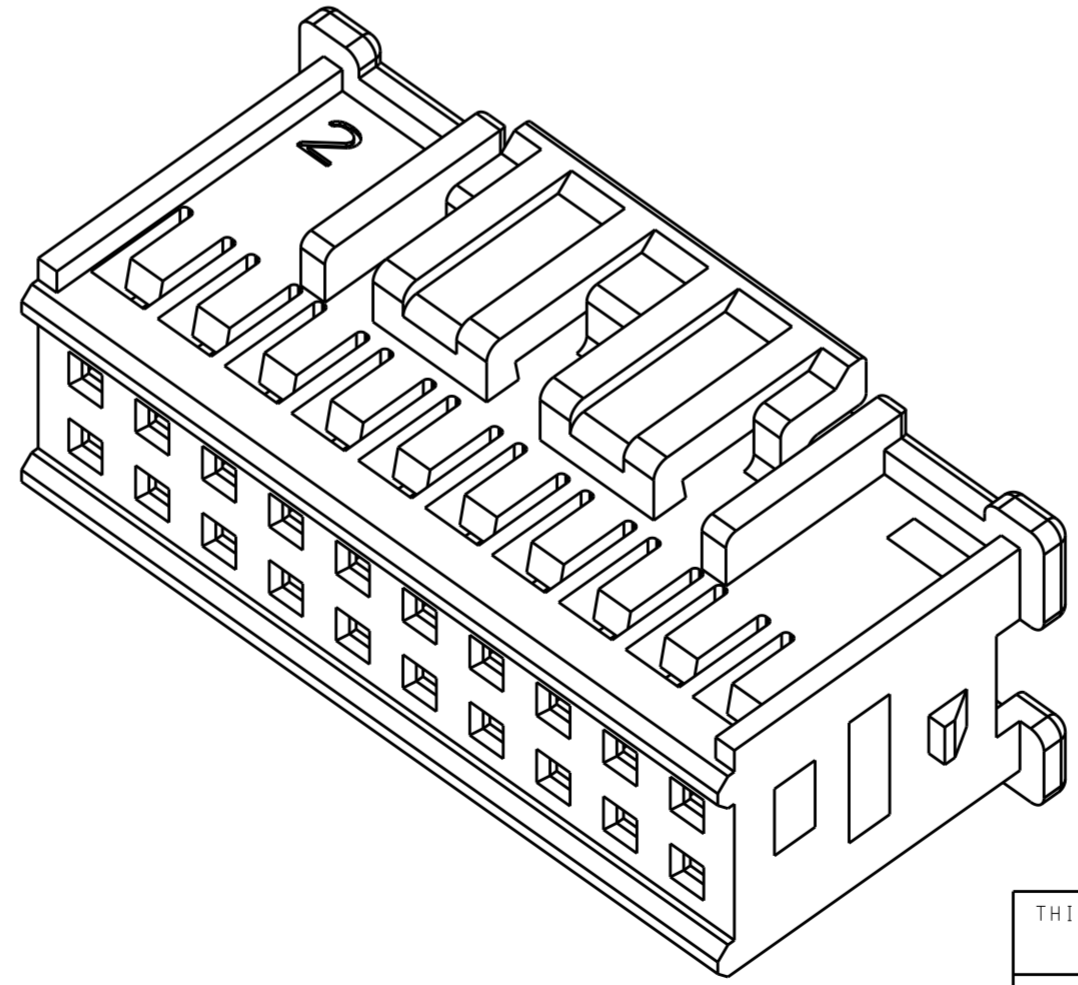
SINGLE LATCH DETAIL FOR
1-2323743-2 THRU 1-2323743-6

NOTES:

- 1. MATERIAL: NYLON 66, UL94V-0, COLOR:NATURAL.
- 2. DIMENSIONS SHOWN REPRESENT PRODUCT IN DRY, AS MOLDED, CONDITION. ADDITIONAL 2% GROWTH DUE TO SUBSEQUENT MOISTURE ABSORPTION MAY OCCUR AND SHOULD BE ACCOUNTED FOR.
- 3. RECOMMENDED MATING CAP:[]-2323745-[] AND []-2324201-[]
HEADER:[]-2323245-[], []-2323751-[] AND []-2323750-[]
- 4. THE HOUSING ACCEPTS TERMINALS : 2110989-1 OR 2232905-1
1744423-1 OR 2232983-1
- 5. ACCEPT OPTIONAL TPA: []-1969443-[] OR []-1969825-[]
- 6. COMPLY WITH GLOW WIRE REQUIREMENTS FOR PARTS OF NON-METALLIC MATERIAL SUPPORTING A CURRENT-CARRYING CONNECTION DETAILED IN IEC 60335-1, SECTION 30(GWT)



DUAL LATCH DETAIL FOR
1-2323743-8 THRU 4-2323743-0



2-2323743-0 SHOWN

DIM M	DIM N	DIM L	POSITION	PART NO.
1.25	47.50	51.04	40	4-2323743-0
0.00	45.00	48.54	38	3-2323743-8
1.25	42.50	46.04	36	3-2323743-6
0.00	40.00	43.54	34	3-2323743-4
1.25	37.50	41.04	32	3-2323743-2
0.00	35.00	38.54	30	3-2323743-0
1.25	32.50	36.04	28	2-2323743-8
0.00	30.00	33.54	26	2-2323743-6
1.25	27.50	31.04	24	2-2323743-4
0.00	25.00	28.54	22	2-2323743-2
1.25	22.50	26.04	20	2-2323743-0
0.00	20.00	23.54	18	1-2323743-8
1.25	17.50	21.04	16	1-2323743-6
0.00	15.00	18.54	14	1-2323743-4
1.25	12.50	16.04	12	1-2323743-2
0.00	10.00	13.54	10	1-2323743-0
1.25	7.50	11.04	8	2323743-8

THIS DRAWING IS A CONTROLLED DOCUMENT.

DIMENSIONS: mm	TOLERANCES UNLESS OTHERWISE SPECIFIED: 0 PLC ± 1 PLC ± 2 PLC ±0.25 3 PLC ± 4 PLC ± ANGLES ±5° FINISH	DWN 26AUG2018 WARREN HUO CHK 27AUG2018 DANIEL ZHANG APVD 27AUG2018 DANIEL ZHANG PRODUCT SPEC 108-106357 APPLICATION SPEC 114-13315 WEIGHT - CUSTOMER DRAWING	NAME PLUG HOUSING, EP 2.5 DUAL ROW WTW AND WTB, GWT SIZE CAGE CODE DRAWING NO RESTRICTED TO A200779 C-2323743 - SCALE N/A SHEET 1 OF 1 REV A
-------------------	---	---	---

单击下面可查看定价，库存，交付和生命周期等信息

[>>TE Connectivity\(泰科\)](#)