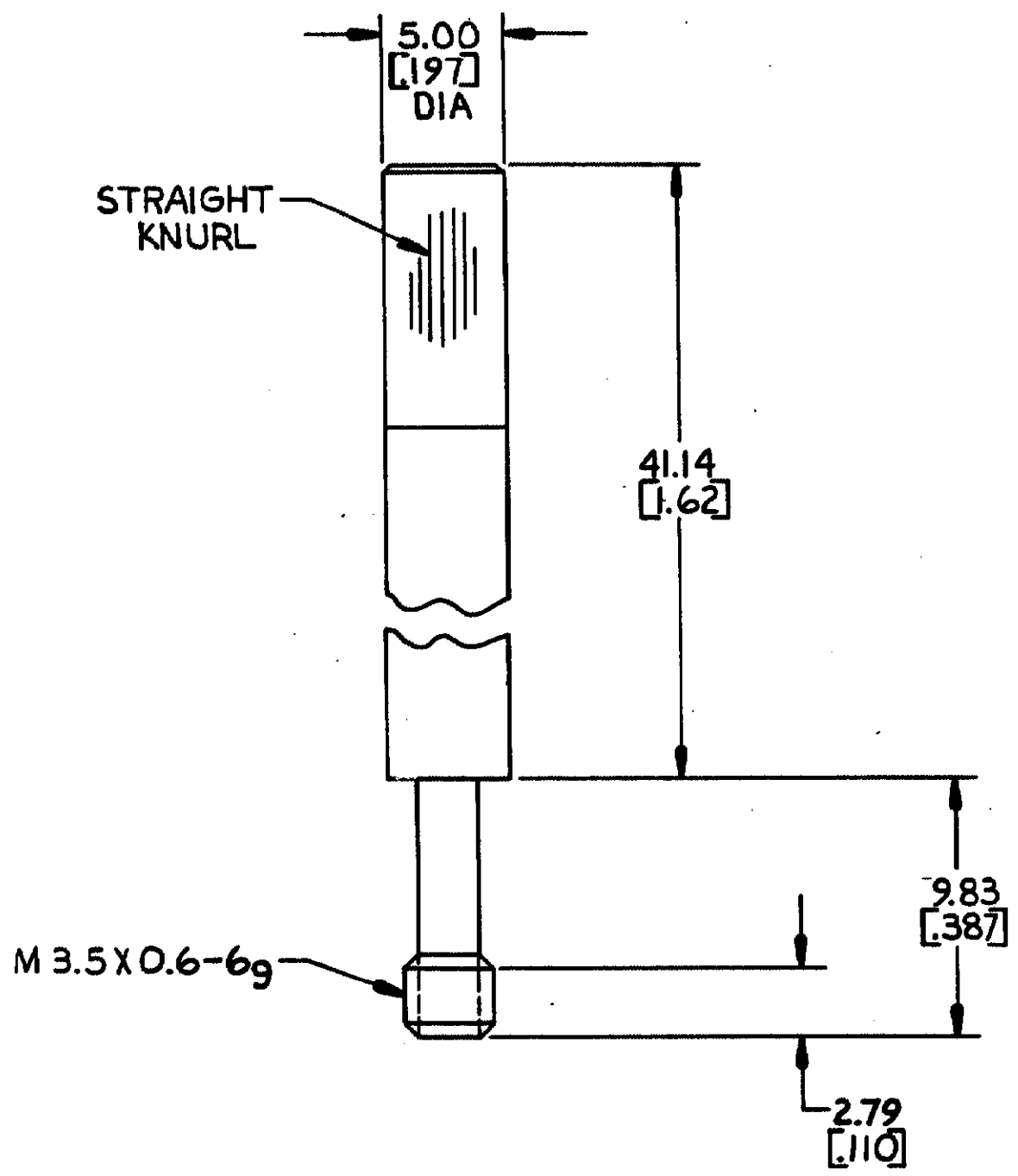


THIS DRAWING IS UNPUBLISHED. RELEASED FOR PUBLICATION . 19

© COPYRIGHT 19 BY AMP INCORPORATED, HARRISBURG, PA. ALL INTERNATIONAL RIGHTS RESERVED. AMP PRODUCTS MAY BE COVERED BY U.S. AND FOREIGN PATENTS AND/OR PATENTS PENDING.

		REVISIONS				
P	F	ZONE	LTR	DESCRIPTION	DATE	APPROVED
4	✓		A	REV: ECLN AA-3115	6-26-84	SD



1. DIMENSIONS IN BRACKETS [] ARE IN INCHES.
2. MATERIAL: BLACK OXIDE PLATED CARBON STEEL.
3. ALL DIMENSIONS SHOWN ARE MAXIMUM UNLESS OTHERWISE SPECIFIED.
4. PARTS COATED WITH AMP APPROVED CORROSION PREVENTATIVE.

554411-1 AS SHOWN

METRIC

UNLESS OTHERWISE SPECIFIED DIMENSIONS ARE IN MM TOLERANCES ON: DECIMALS ± .001 ANGLES ± 0.5°		CONTRACT NO	AMP AMP INCORPORATED Harrisburg, Pa.	
MATERIAL	FINISH	DR M. D. Byerly 3/23/84	NAME SCREW, STUD, SHOULDER	
		CHK B. Fox 4-2-84	APPD W. Reel 4/4/84	SIZE B
		APPD M. H. H. 4/3/84	OSGN APPD	FSCM NO 00779
		OTHER APPD	DRAWING NO 554411	DRAWING NO 554411
			SCALE 4:1	SHEET 1 OF 1

CUSTOMER DRAWING

单击下面可查看定价，库存，交付和生命周期等信息

[>>TE Connectivity\(泰科\)](#)