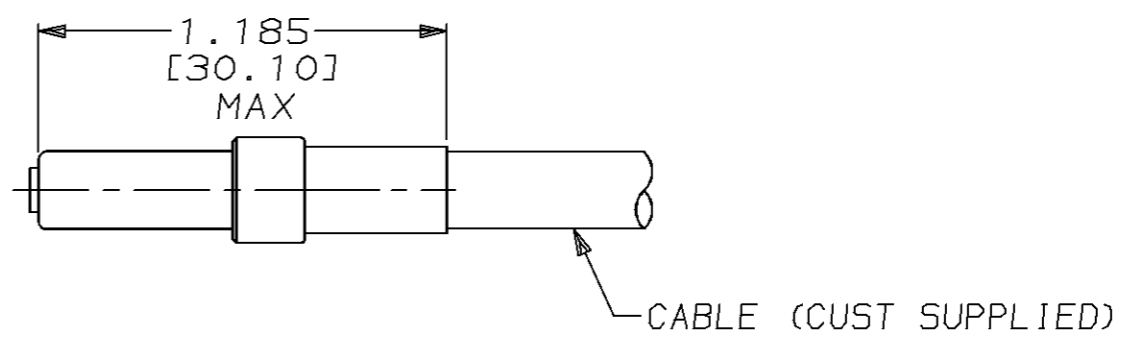
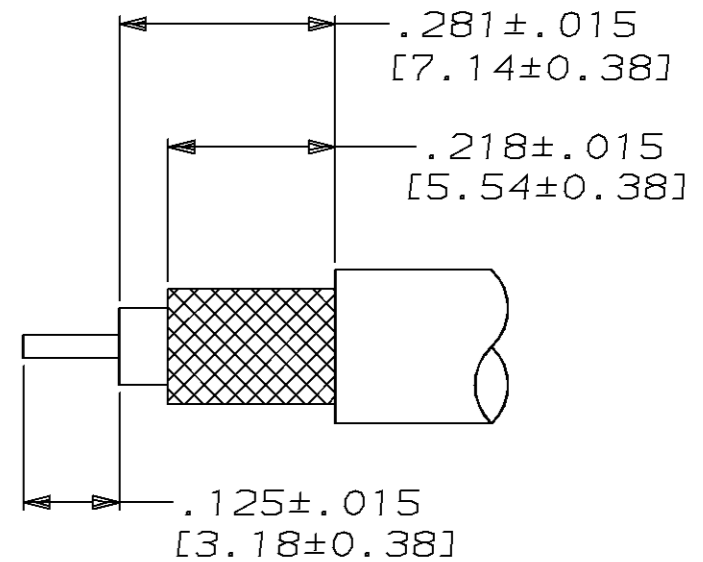
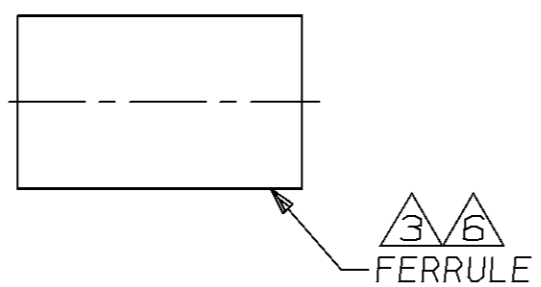
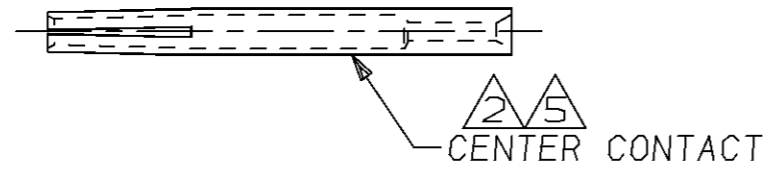
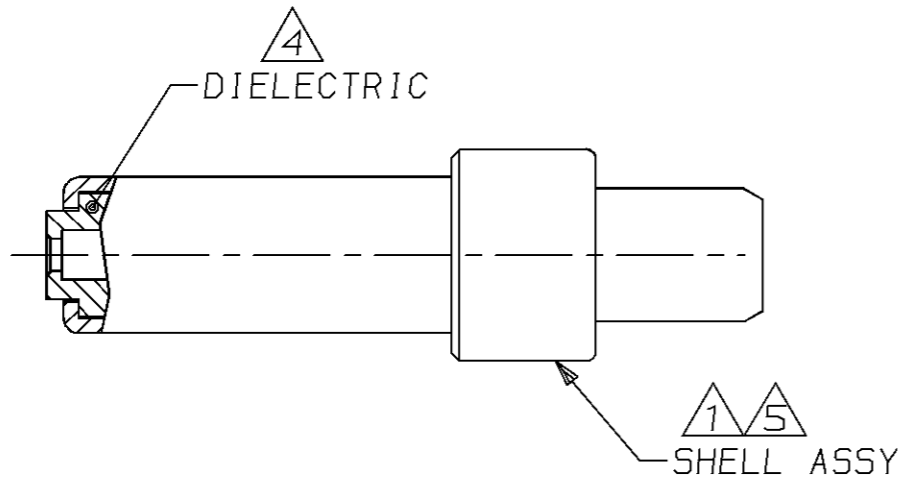


THIS DRAWING IS UNPUBLISHED. RELEASED FOR PUBLICATION, 19
 © COPYRIGHT 19 BY AMP INCORPORATED. ALL INTERNATIONAL RIGHTS RESERVED.

PROD 3321 CODE	LOC DF	DIST X0	P	F	REVISIONS					
					ZONE	LTR	DESCRIPTION	DATE	APPD	
				✓		A	REV PER 0600-4013-95	CT	8-95	JD



- 1 BRASS PER ASTM-B-16.
- 2 BERYLLIUM COPPER PER ASTM-B-196.
- 3 COPPER PER ASTM-B-152.
- 4 PFTE PER ASTM-D-1710.
- 5 GOLD PLATE PER MIL-G-45204 OVER NICKEL PER QQ-N-290.
- 6 BRIGHT TIN-LEAD PLATE.
- 7. SEE I.S. 2348-3.
- 8. FOR USE WITH RG-316 DOUBLE BRAID CABLE.

ASSEMBLED VIEW
SCALE 2:1

225935-6
PART NO.

THIS DRAWING IS A CONTROLLED DOCUMENT FOR AMP INCORPORATED. IT IS SUBJECT TO CHANGE AND THE CONTROLLING ENGINEERING ORGANIZATION SHOULD BE CONTACTED FOR THE LATEST REVISION.

DO NOT SCALE PRINT. UNLESS SPECIFIED DIMENSIONS IN INCHES [mm] TOLERANCES ON: 2 PLC DEC ± - 3 PLC DEC ± .005 [0.13] ANGLES ± -	DR 11-8-93 C.C. THOMAS
	CHK 11-8-93 J. CABARLO
	APPD 11-8-93 J. CABARLO
	APPD 11-8-93 C.C. THOMAS
	PRODUCT SPEC -
MATERIAL SEE CALLOUTS	APPLICATION SPEC -
FINISH SEE CALLOUTS	WEIGHT -

AMP AMP Incorporated Harrisburg, PA 17105-3608		
NAME CONNECTOR, COAXIAL, RF, PIN, SIZE 9		
SIZE B	CAGE CODE 00779	DRAWING NO C-225935-6
SCALE 4:1	SHEET 1 OF 1	

单击下面可查看定价，库存，交付和生命周期等信息

[>>TE Connectivity\(泰科\)](#)