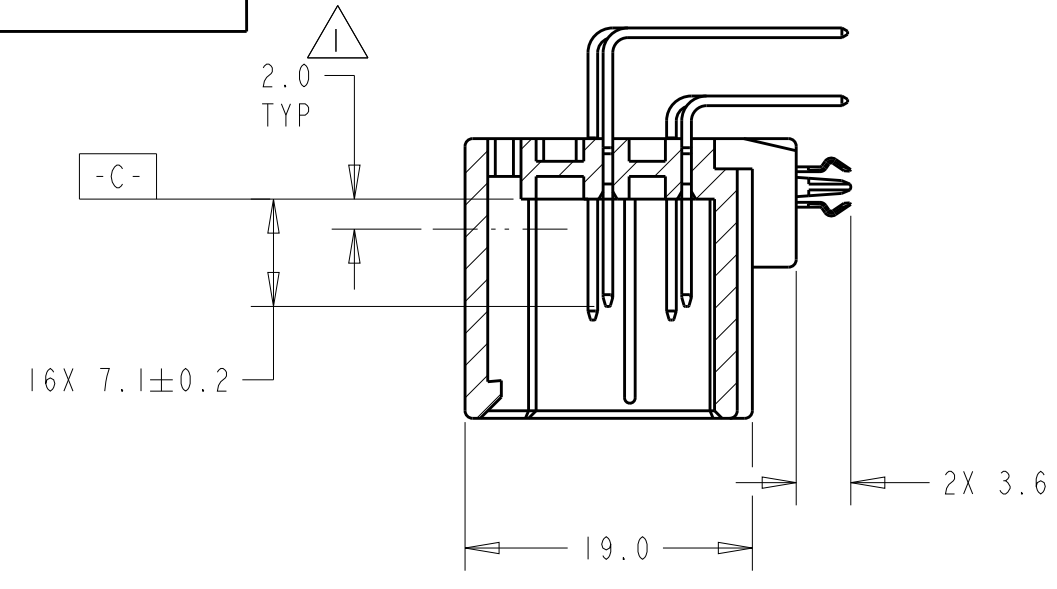
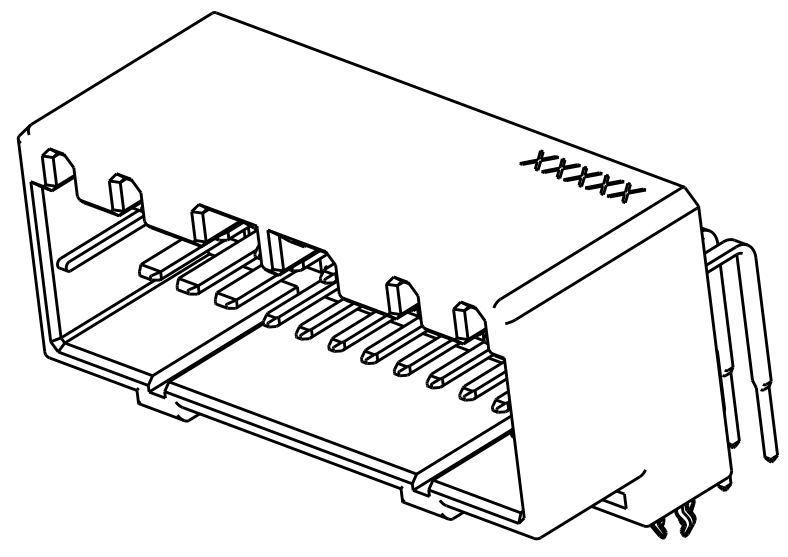


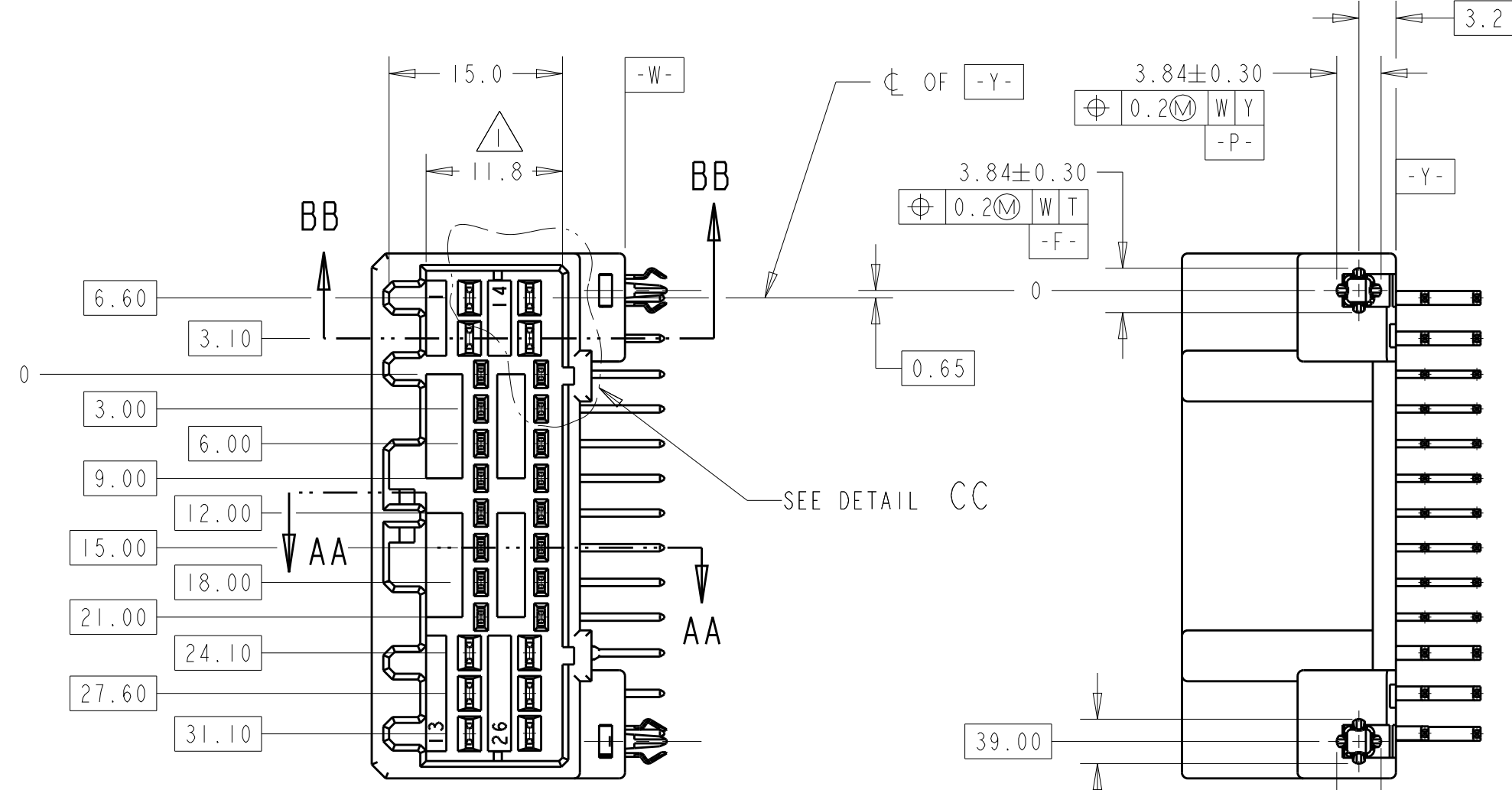
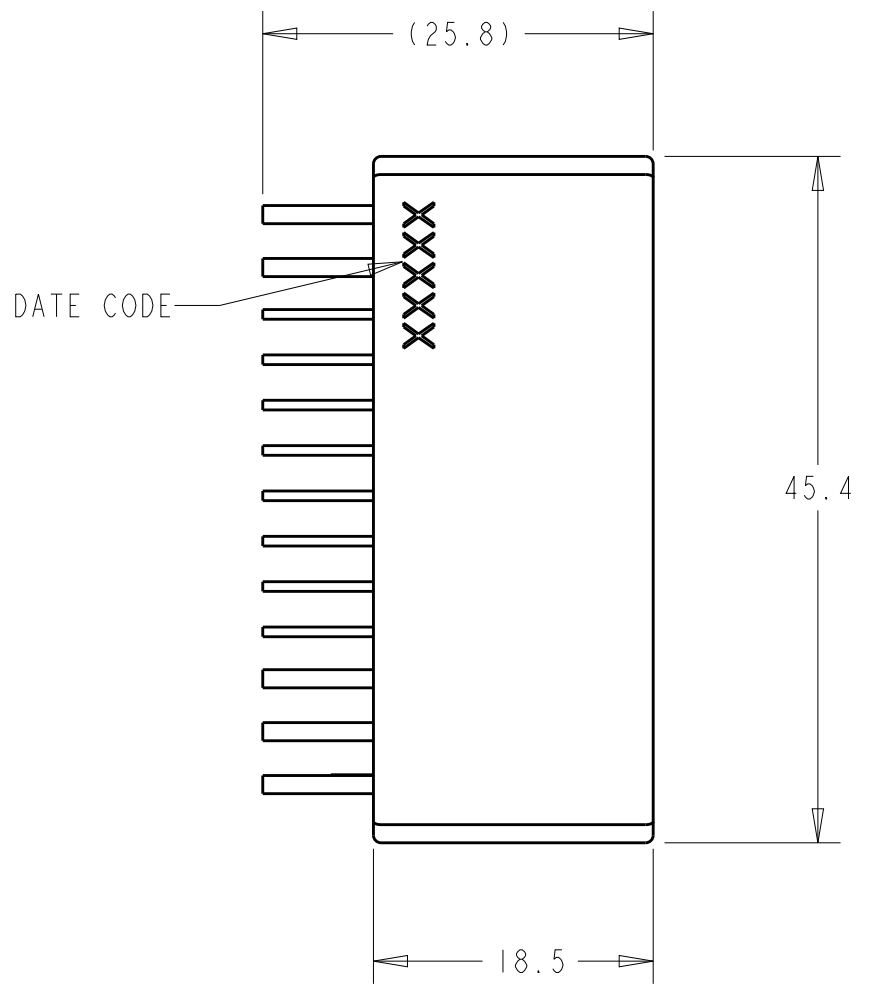
THIS DRAWING IS UNPUBLISHED. RELEASED FOR PUBLICATION 20  
 © COPYRIGHT 20 BY - ALL RIGHTS RESERVED.

LOC		DIST		REVISIONS				
P	LTR	DESCRIPTION	DATE	DWN	APVD			
	A	RELEASED PER ECR-07-029334	10DEC2007	RGV	MAS			
	A1	REVISED PER ECO-12-017789	10OCT2012	DLD	SSA			

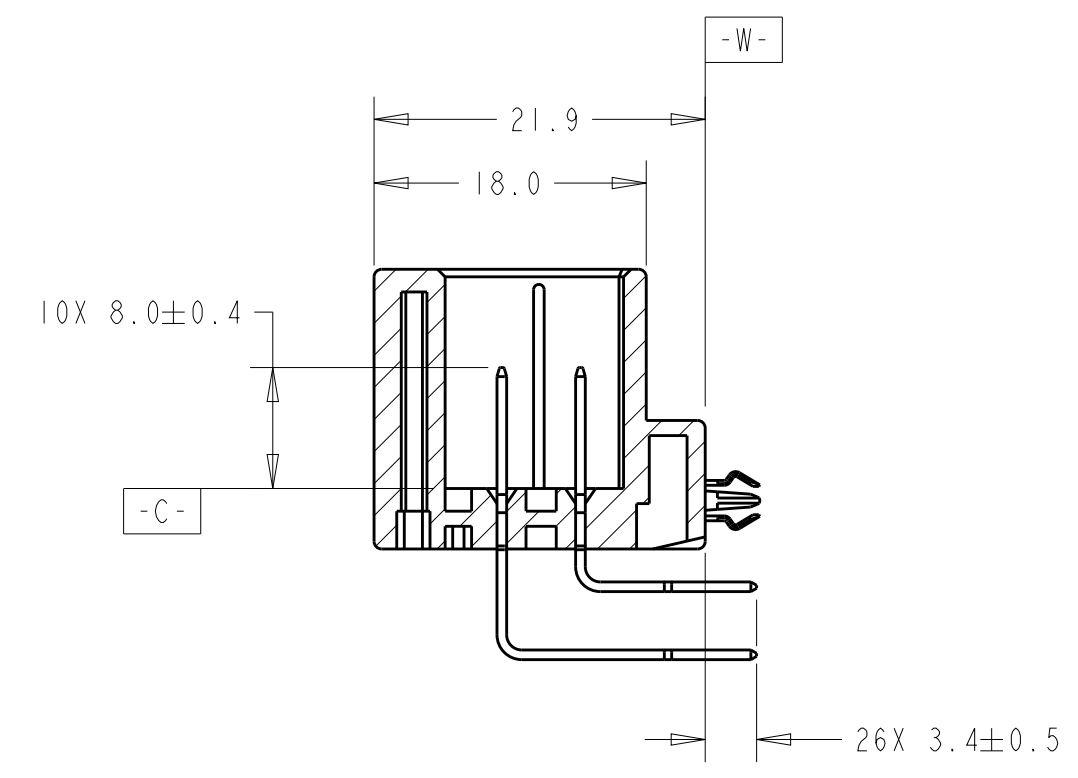


SECTION AA-AA  
(.040 TABS)

- 1 DIMENSION MUST BE HELD BETWEEN -C- AND 2mm FROM -C-
- 2 DATUMS AND BASIC DIMENSIONS ESTABLISHED BY CUSTOMER.
- 3. THE MATING PLUG PART NUMBER IS 917992.



SEE DETAIL CC

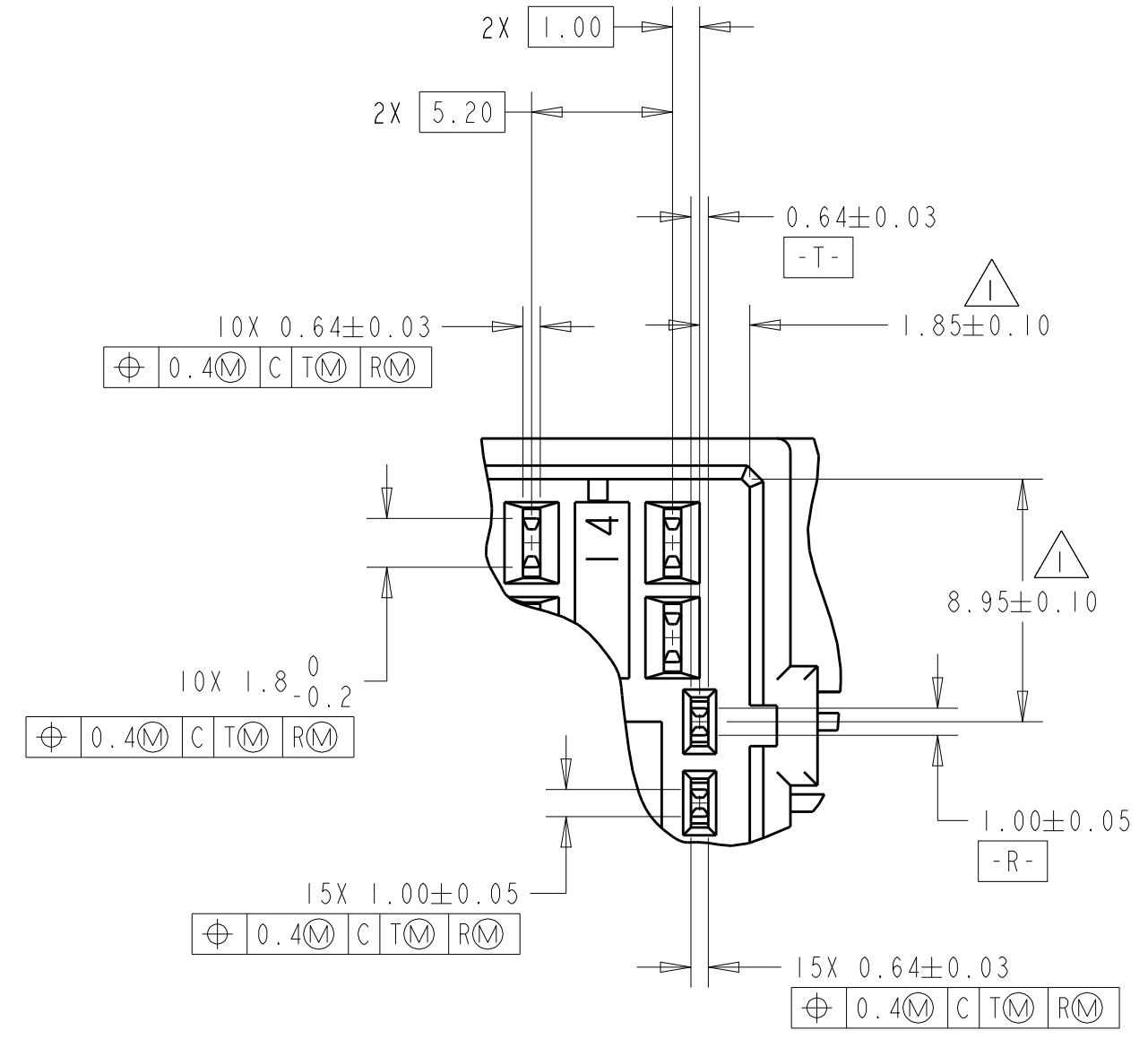


SECTION BB-BB  
(.070 TABS)

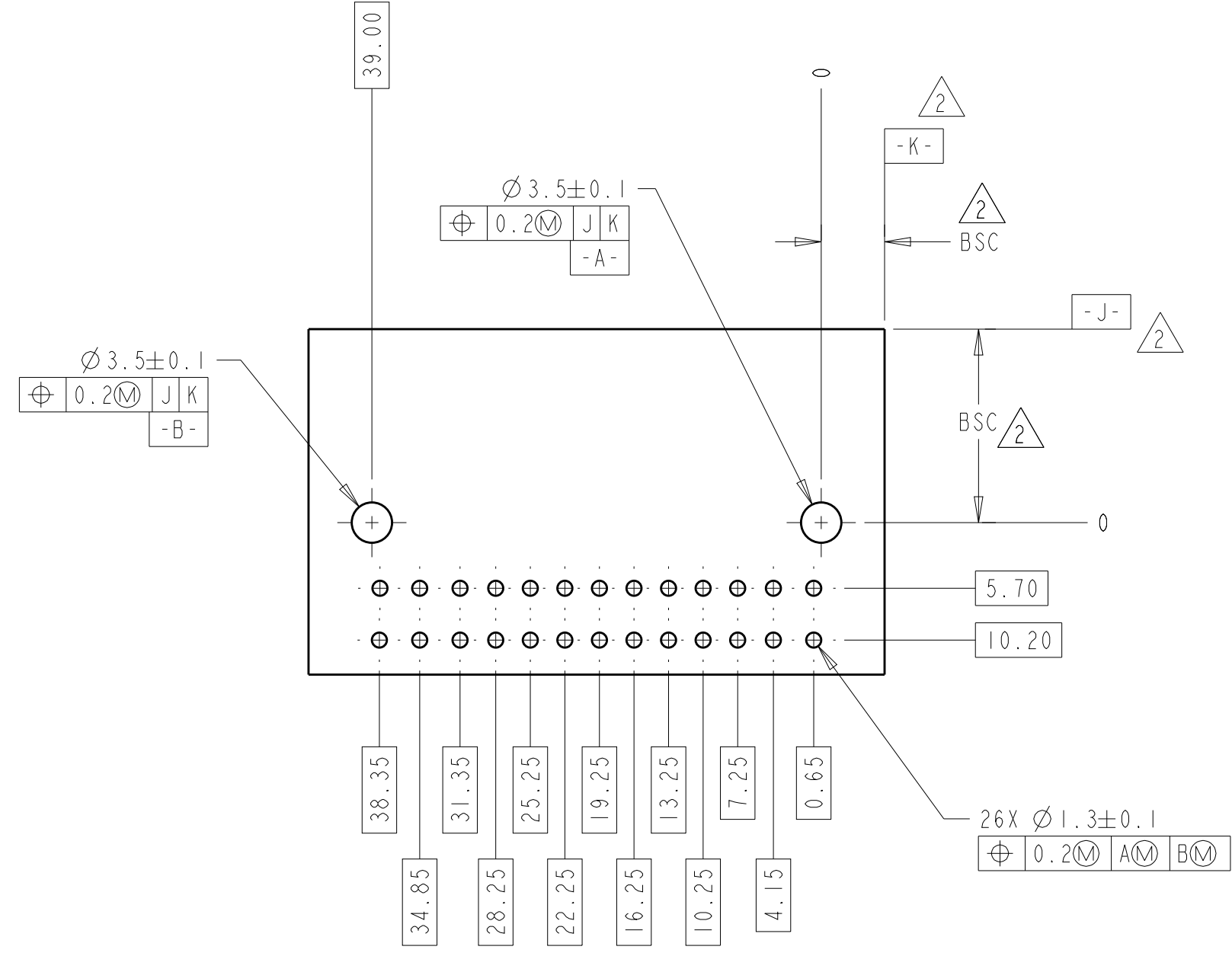
TIN	BRASS	GRAY	PCT	9-1924255-6
CONTACT FINISH	CONTACT MATERIAL	COLOR	HOUSING MATERIAL	PART NUMBER
THIS DRAWING IS A CONTROLLED DOCUMENT.				
DIMENSIONS: mm		TOLERANCES UNLESS OTHERWISE SPECIFIED:		DWN A HOLT 15JAN2007
0 PLC ±		1 PLC ±0.3		CHK T NAKAYAMA 15JAN2007
2 PLC ±0.15		3 PLC ±		APVD T NAKAYAMA 15JAN2007
4 PLC ±		ANGLES ±1°		NAME
FINISH		MATERIAL		STE TE Connectivity
SEE TABLE		SEE TABLE		CAP ASSEMBLY, 26 POSITION 040/070 HYBRID, HORIZONTAL, MULTILOCK, WITH BOARDLOCKS
MATERIAL		WEIGHT		SIZE CAGE CODE DRAWING NO RESTRICTED TO
SEE TABLE		SEE TABLE		A2 00779 C-1924255 -
CUSTOMER DRAWING				SCALE 2:1 SHEET 1 OF 2 REV A1

THIS DRAWING IS UNPUBLISHED. RELEASED FOR PUBLICATION 20  
 © COPYRIGHT 20 BY - ALL RIGHTS RESERVED.

LOC	DIST	REVISIONS				
P	LTR	DESCRIPTION	DATE	DWN	APVD	
FX	00	SEE SHEET 1	-	-	-	



DETAIL CC  
 SCALE 4:1



PC BOARD LAYOUT (SOLDER SIDE)  
 (RECOMMENDED BOARD THICKNESS 1.57mm)

THIS DRAWING IS A CONTROLLED DOCUMENT.		DWN A HOLT 15 JAN 2007	TE Connectivity	
DIMENSIONS: mm		CHK T NAKAYAMA 15 JAN 2007		
TOLERANCES UNLESS OTHERWISE SPECIFIED:		APVD T NAKAYAMA 15 JAN 2007	NAME CAP ASSEMBLY, 26 POSITION 040/070 HYBRID, HORIZONTAL, MULTILOCK, WITH BOARDLOCKS	
0 PLC ± 1 PLC ±0.3 2 PLC ±0.15 3 PLC ± 4 PLC ± ANGLES ±1° FINISH		PRODUCT SPEC -	SIZE A2	CAGE CODE 00779
MATERIAL SEE TABLE		APPLICATION SPEC -	DRAWING NO C-1924255	RESTRICTED TO -
SEE TABLE		WEIGHT -	SCALE 2:1 SHEET 2 OF 2 REV A1	
		CUSTOMER DRAWING		

单击下面可查看定价，库存，交付和生命周期等信息

[>>TE Connectivity\(泰科\)](#)