

LOC
A1

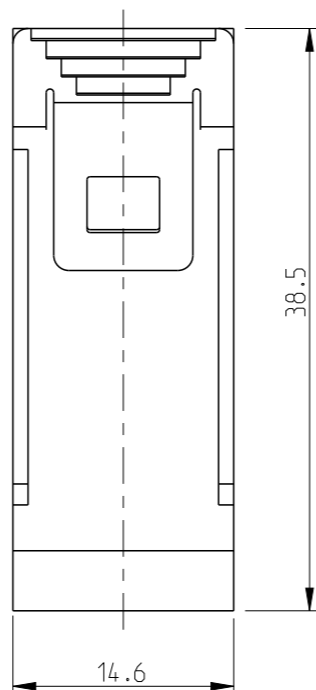
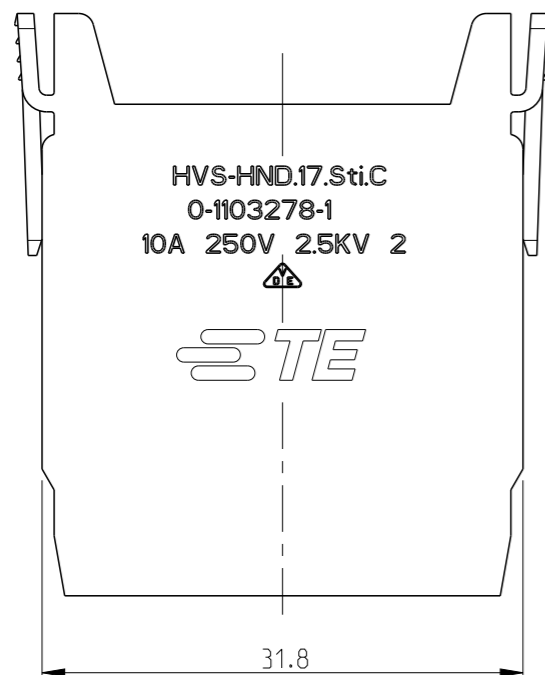
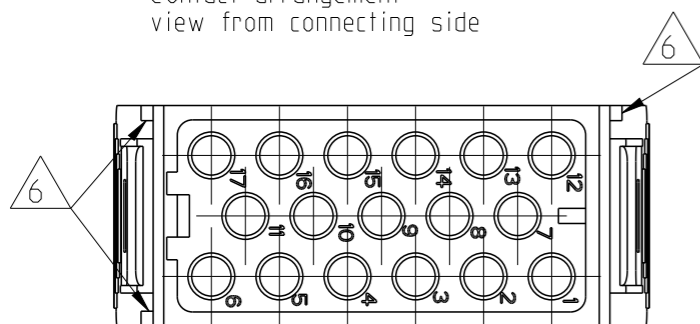
DIST

REVISIONS

P	LTR	DESCRIPTION	DATE	DWN	APVD
	C	ECR-15-007608	30MAY2015	GSK	JB

PN 0-1 As Shown

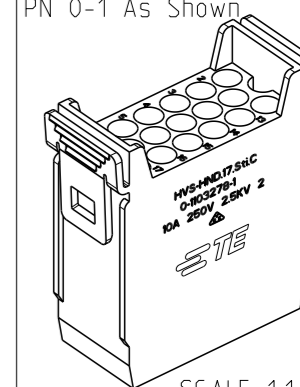
Contact arrangement
view from connecting side



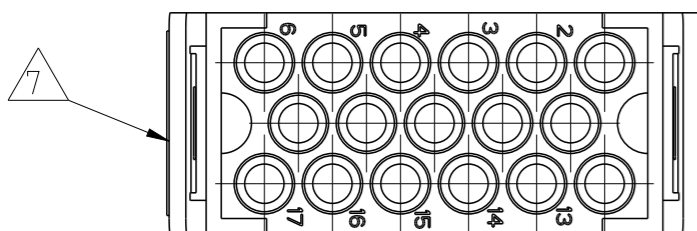
NOTES

- 1 SUITABLE CRIMP CONTACTS: SERIES HN.D
CUSTOMER DRAWING: 1105050
OUTER DIMENSIONS OF INSULATION: MAX. Ø4mm
- 2 SUITABLE MODULE FIXING FRAME: SERIES HVS SIZE 3 TO 8
CUSTOMER DRAWING: 1103250
- 3 SUITABLE INSERTION TOOL:
CUSTOMER DRAWING: 1102855
- 4 SUITABLE EXTRACTION TOOL:
CUSTOMER DRAWING: 1102855
- 5 STANDARDS:
DIN EN 61984; DIN EN 60664-1
- 6 POLARIZATION RIPS
- 7 MARKING OF POLARIZATION ACCORDING TO MARKING OF
MODULE FRAME
- 8 PACKAGING:
10 SETS IN A CARTON, PRE-MOUNTED

PN 0-1 As Shown



Contact arrangement
view from termination side



QTY	DESCRIPTION	MATERIAL	COLOR	ITEM NO
1	MALE INSERT	PBT-GF10	LIGHT GREY	1
PN 0-1 / HVS-HN.D.17.Sti.C				

THIS DRAWING IS A CONTROLLED DOCUMENT.

DIMENSIONS:	TOLERANCES UNLESS OTHERWISE SPECIFIED:
mm	ISO 8075 DIN ISO 2768 mH-E DIN 16901-120
	0 PLC ±
	1 PLC ±
	2 PLC ±
	3 PLC ±
	4 PLC ±
	ANGLES ±

MATERIAL	FINISH
9	10

DWN	20.02.2006
CHK	20.02.2006
APVD	20.02.2006
PRODUCT SPEC	108-74083
APPLICATION SPEC	114-74085
WEIGHT	

TE Connectivity		NAME	
		MALE INSERT HVS-HND.17.STI.C	
SIZE	CAGE CODE	DRAWING NO	RESTRICTED TO
A3	00779	©-1103278	

CUSTOMER DRAWING	SCALE 2:1	SHEET 1 OF 1	REV C
------------------	-----------	--------------	-------

单击下面可查看定价，库存，交付和生命周期等信息

[>>TE Connectivity\(泰科\)](#)