

4

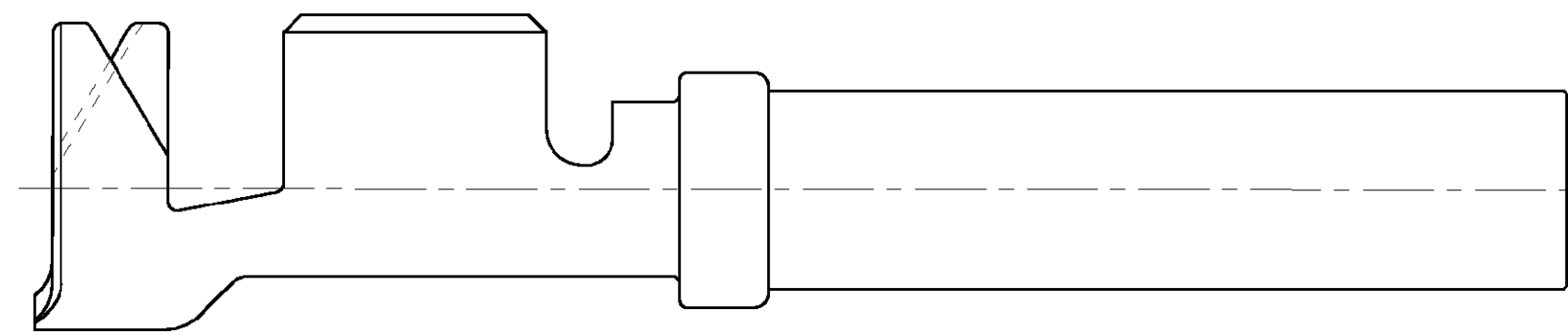
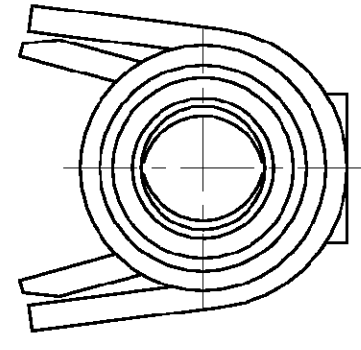
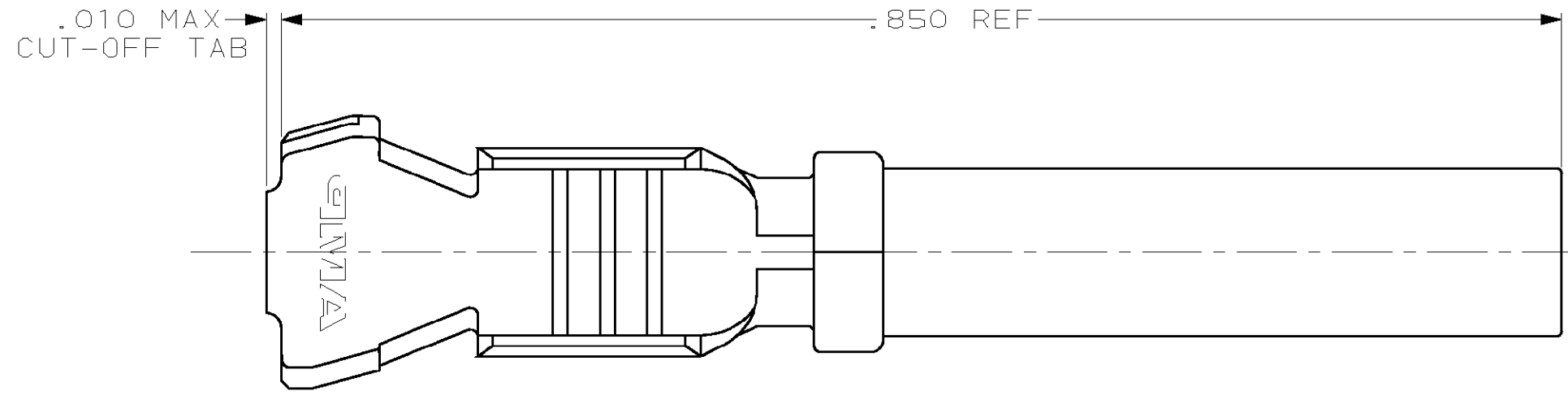
3

2

1

THIS DRAWING IS UNPUBLISHED. RELEASED FOR PUBLICATION .19
 BY AMP INCORPORATED. ALL RIGHTS RESERVED.

LOC	DIST	REVISIONS			
P	LTR	DESCRIPTION	DATE	DWN	APVD
GE	33	0	REL PER PR# 99-7	2-17-99	PC WL
		A	REV PER 0K40-0013-01	24AUG01	AG MT



1. WIRE RANGE: 18-14 AWG

DESCRIPTION	FINISH	PART NUMBER
LOOSE PIECE VERSION OF 776093-2	NICKEL	776299-2
LOOSE PIECE VERSION OF 776093-1	GOLD	776299-1

THIS DRAWING IS A CONTROLLED DOCUMENT.		DWN P. COLLINS 2-17-99		
DIMENSIONS: in		CHK W. LONG 2-17-99	NAME	
TOLERANCES UNLESS OTHERWISE SPECIFIED:		APVD G. MARPOE 2-17-99	ASSEMBLY, SOCKET CONTACT LOOSE PIECE	
0 PLC ±-	1 PLC ±-	PRODUCT SPEC	SIZE A2	CAGE CODE 00779
2 PLC ±.02	3 PLC ±.005	APPLICATION SPEC	DRAWING NO C-776299	RESTRICTED TO -
4 PLC ±-	ANGLES ±-	WEIGHT -	SCALE 10:1	SHEET 1 OF 1
MATERIAL	FINISH SEE TABLE	CUSTOMER DRAWING	REV A	

776299

单击下面可查看定价，库存，交付和生命周期等信息

[>>TE Connectivity\(泰科\)](#)