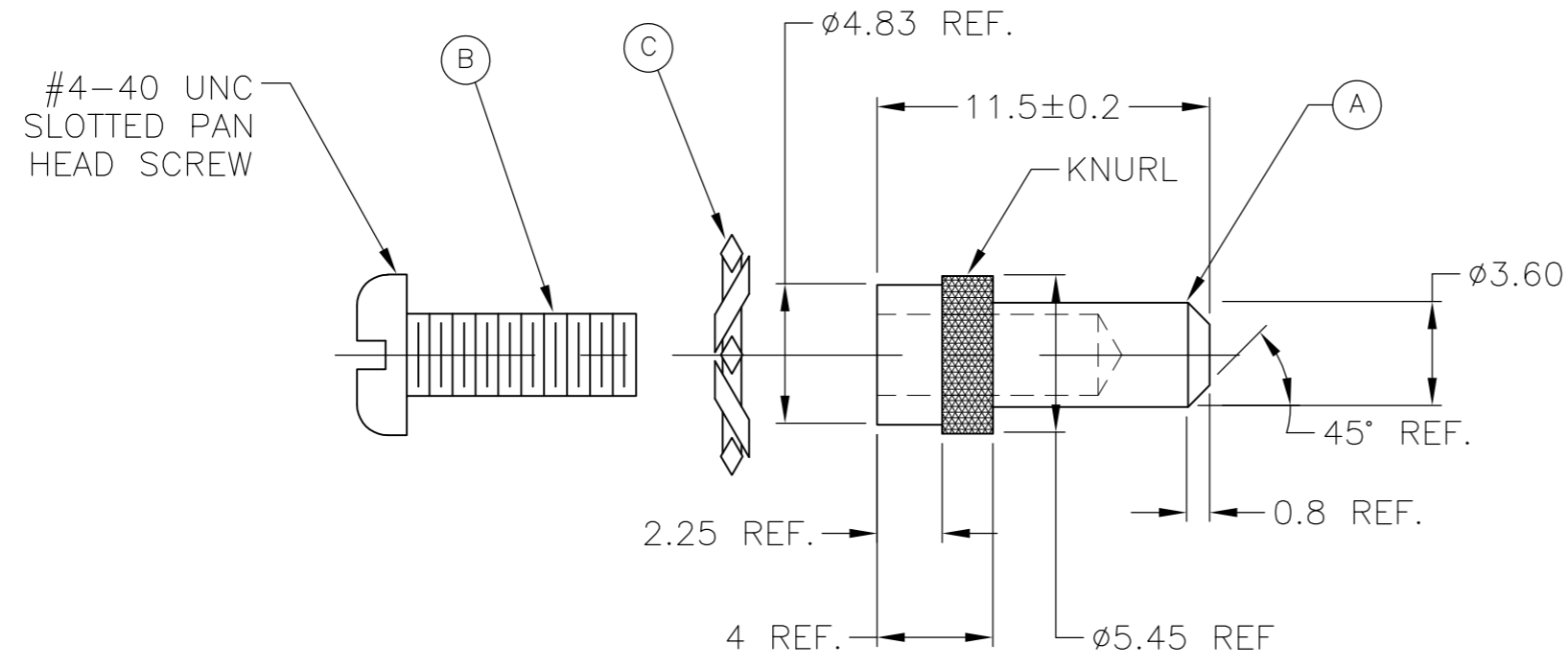


THIS DRAWING IS UNPUBLISHED. RELEASED FOR PUBLICATION  
 © COPYRIGHT BY TYCO ELECTRONICS CORPORATION. ALL RIGHTS RESERVED.

LOC	DIST	REVISIONS			
P	LTR	DESCRIPTION	DATE	DWN	APVD
AD	00	B	RELEASED PER ECO-08-003162	04FEB08	DH AS



- 1 MATERIAL:  
 A. POWER CONTACT: COPPER ALLOY  
 B. SCREW: BRASS  
 C. WASHER: PHOS BRONZE
- 2 FINISH:  
 A. POWER CONTACT: GOLD OVER NICKEL  
 B. SCREW: NICKEL  
 C. WASHER: NONE
- 3 SCREW LENGTH: 7.92 REF.

5223167-1  
 PART NUMBER

THIS DRAWING IS A CONTROLLED DOCUMENT.		DWN D. HUMBERT 020CT2007	Tyco Electronics Corporation Harrisburg, PA 17105-3608	
DIMENSIONS: mm		CHK A. SHARPE 020CT2007	NAME ASSEMBLY, CONTACT, PIN POWER WITH WASHER & SCREW	
TOLERANCES UNLESS OTHERWISE SPECIFIED:		APVD A. SHARPE 020CT2007	PRODUCT SPEC -	RESTRICTED TO -
MATERIAL		APPLICATION SPEC -	WEIGHT -	SIZE A3
FINISH		SCALE 4:1	CAGE CODE 00779	DRAWING NO 5223167
CUSTOMER DRAWING		SHEET 1 OF 1		REV B

单击下面可查看定价，库存，交付和生命周期等信息

[>>TE Connectivity\(泰科\)](#)