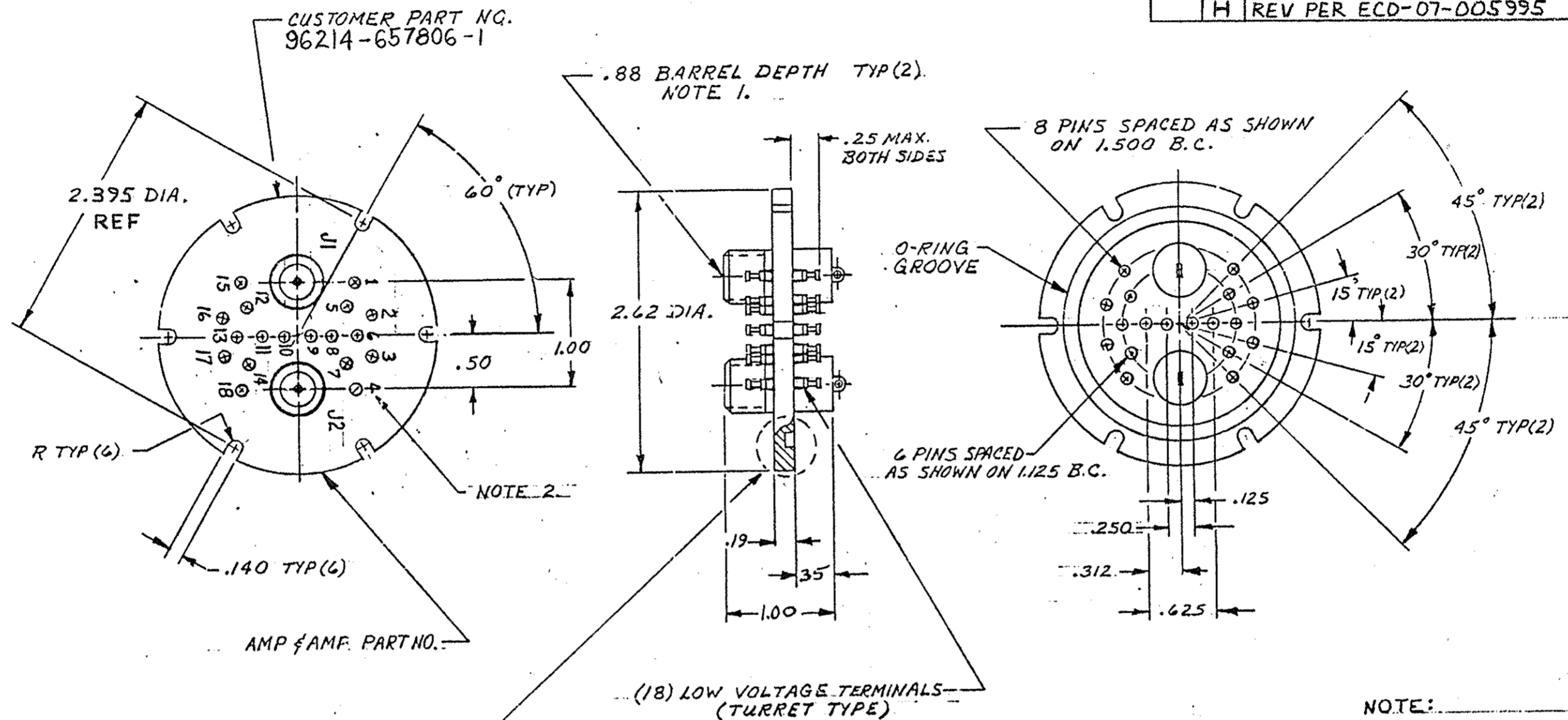


© 1969 BY AMP INCORPORATED. ALL RIGHTS RESERVED. AMP PRODUCTS COVERED BY PATENTS AND/OR PATENTS PENDING.

THIS PRODUCT DESIGNED AND BUILT BY AMP INCORPORATED. NO LICENSE TO USE THAT DESIGN OR MANUFACTURE, OR TO USE ANY ISSUED OR PENDING PATENTS WHICH ARE INVOLVED, IS IMPLIED.

ZONE	LTR	DESCRIPTION	DATE	APPROVED
A		REF SK 26799-A REVISD & REDRAWN	4-1-69	Knk
B		REVISED NOTE 1 ECN 8383	9-5-78	R.G.R.
C		ECN 8983	10-31-79	JG
D		ADDED PANEL CUTOUT DIMS	8-18-83	RPH
E		REV. PER ECN L1309.	2-12-85	RPH
F		OBSOLETE ECN 53614	1-19-87	R8
G		REV PER DF4286	7/3/91	RJR
H		REV PER ECD-07-005995	4-3-07	PY

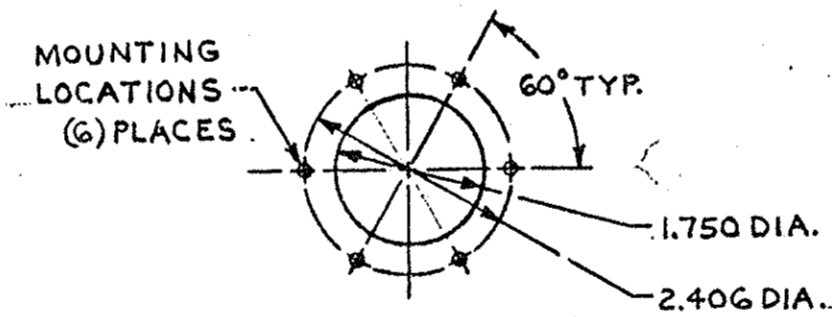
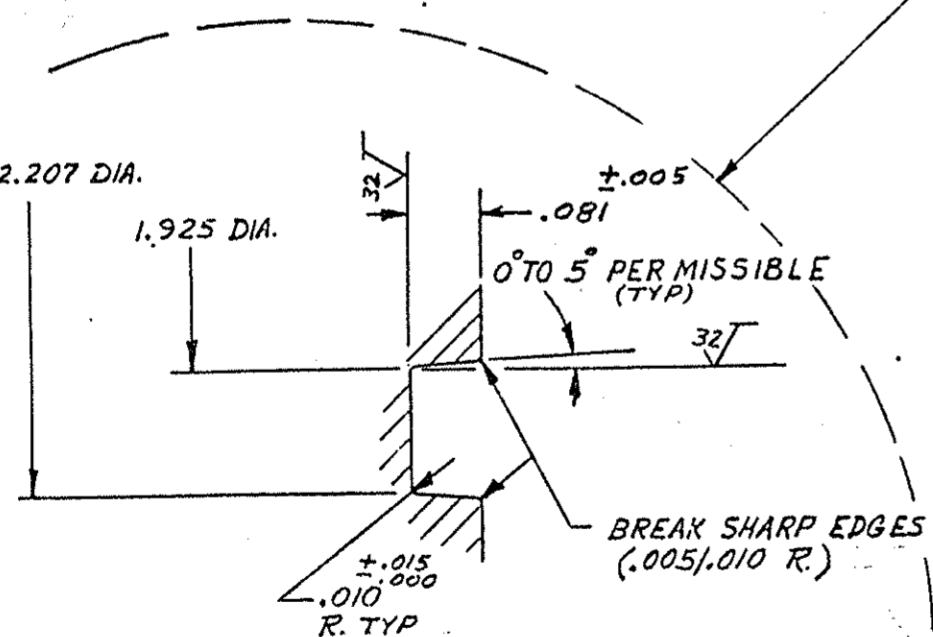


NOTE:
1. RECEPTACLE TO MATE WITH AMP LGH-1 LEAD ASSEMBLY. AVAILABLE SEPARATELY.

2. MARK CUSTOMER NO. & AMP & AMP PART NO. AS SHOWN - RUBBER STAMP COLOR TO BE WHITE. APPROX .12 HIGH.

3. ALL LOW VOLTAGE TERMINALS, GROUND TO 600 V MAX & 600 V TERMINAL TO TERMINAL.

4. CONNECTOR IS HERMETIC SEALED.



QTY REQD	QTY	ITEM NO.	DWG NO.	PART OR IDENTIFYING NO.	NOMENCLATURE OR DESCRIPTION	SYMBOL
-2	-1			849515-1	AS SHOWN	

QTY REQD	FINAL ASSY	NEXT ASSY	USED ON

UNLESS OTHERWISE SPECIFIED: DIMENSIONS ARE IN INCHES TOLERANCES
 .00 = ±.02 ANGLES = ±1°
 .000 = ±.005

MATERIAL: MOLDED GLASS EPOXY (BLACK)

FINISH:

CONTRACT NO., DR L. GEIB 1-29-69

APPD E. JOHNSON 1-30-69

DESIGN APPD

OTHER APPD

AMP INCORPORATED CAPITRON DIVISION ELIZABETHTOWN, PENNSYLVANIA

NAME: INTERFACE CONNECTOR (18) LOW VOLTAGE (2) HIGH VOLTAGE

WJH

SIZE: C CODE IDENT NO.: 00779 NUMBER: 849515

SCALE: WT SHEET: REV

单击下面可查看定价，库存，交付和生命周期等信息

[>>TE Connectivity\(泰科\)](#)