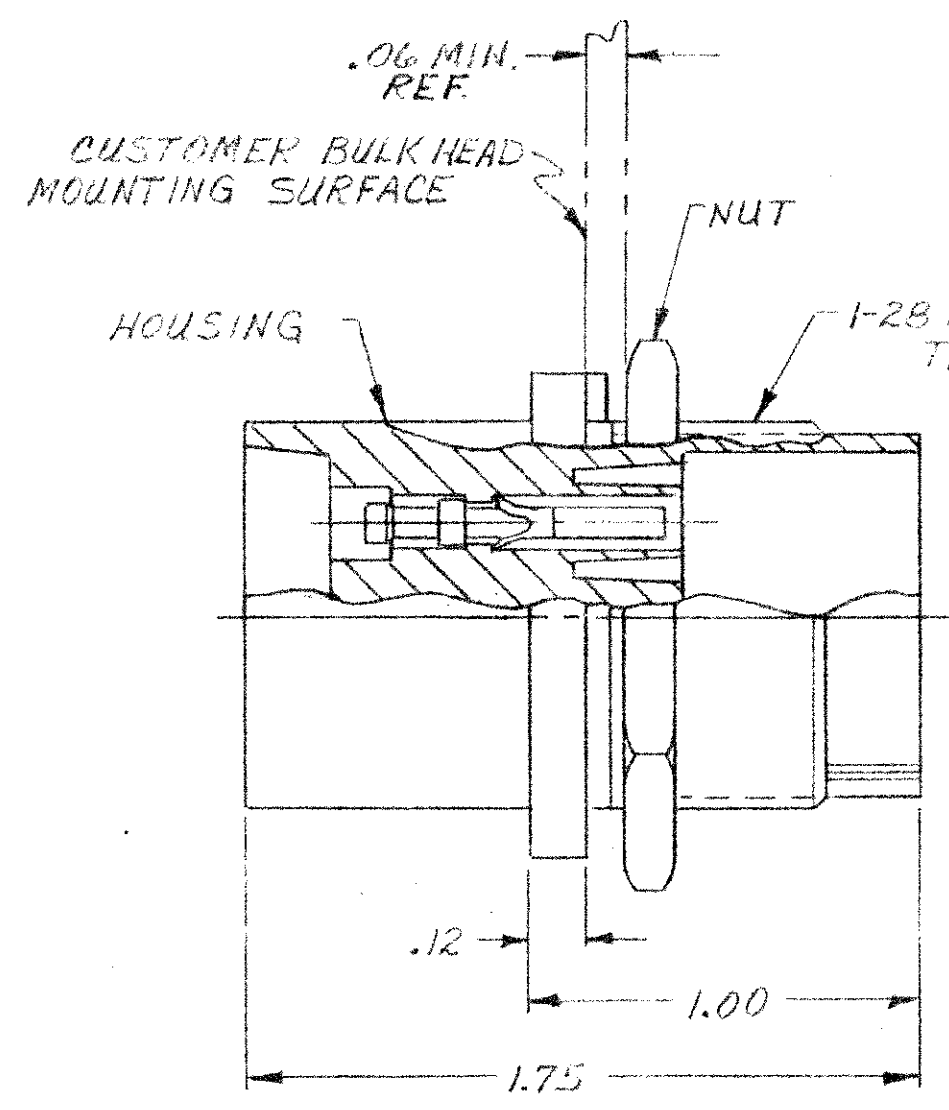


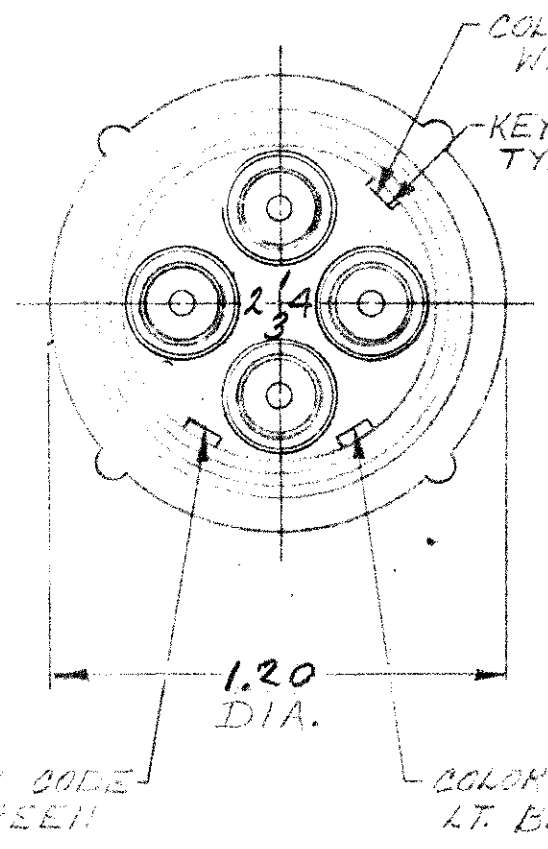
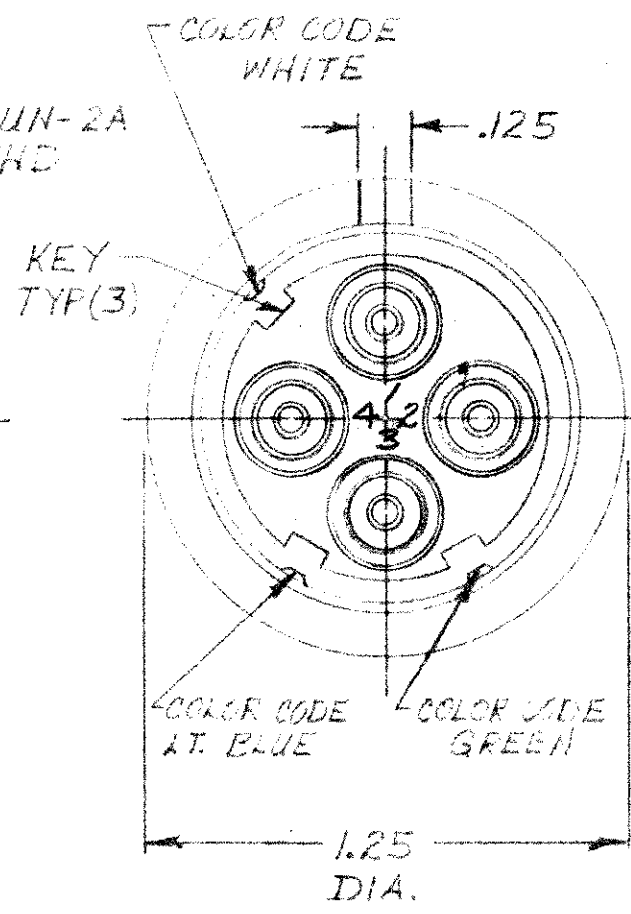
© 1972 BY AMP INCORPORATED. ALL RIGHTS RESERVED. AMP PRODUCTS COVERED BY PATENTS AND/OR PATENTS PENDING.

THIS PRODUCT DESIGNED AND BUILT BY AMP INCORPORATED. NO LICENSE TO USE THAT DESIGN IN MANUFACTURE, OR TO USE ANY ISSUED OR PENDING PATENTS WHICH ARE INVOLVED, IS IMPLIED.

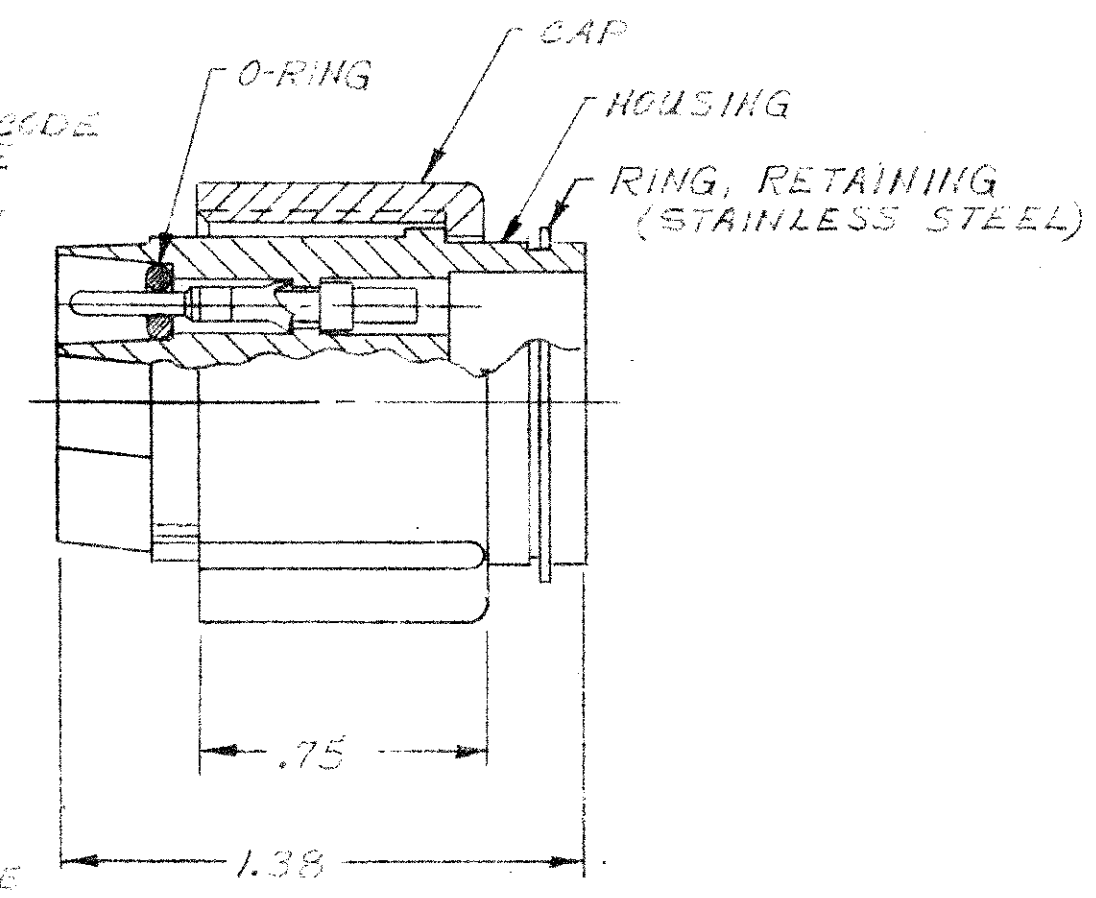
REVISIONS					
ZONE	LTR	DESCRIPTION	DATE	APPROVED	
A		REV. NOTES ADDED -2	11/18/74	M.S.	
B		ADDED -3	2-26-76	M.S.	
C		ADDED -4, -5, -6	6-30-77	M.S.	
D		OBSOLETE -3 THRU -6	11-5-86	R.S.	
E		REV PER 0414-120-04	10-04	CT	



RECEPTACLE



PLUG

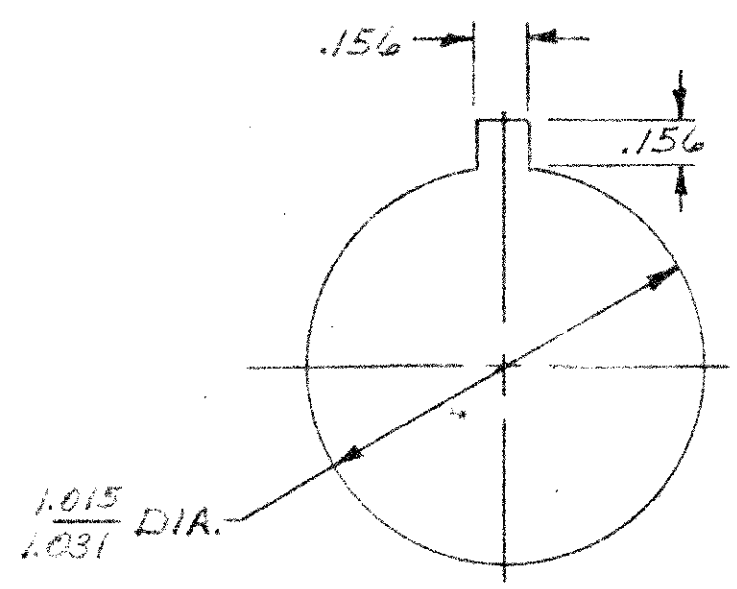


AMP P/N	RECEPTACLE	PLUG	WIRE SIZE RANGE	HAND TOOL	COLOR CODING
860286-1	859526-1	860265-1	20, 22, 24	45099	YES
860286-2	859526-2	860265-2	18, 16	45098	YES
860286-3	859526-3	860265-3	14	45098	YES
860286-4	859526-4	860265-4	20, 22, 24	45099	NO
860286-5	859526-5	860265-5	16, 18	45098	NO
860286-6	859526-6	860265-6	14	45098	NO

OBSOLETE

NOTE:

- 1. PINS & SOCKETS SUPPLIED SEPARATELY IN PLASTIC BAG.
- 2. TYPE II PINS & SOCKETS TO ACCEPT ONE (1) 20 AWG, (1) 22 AWG, OR (1) 24 AWG STRANDED WIRE
- 3. TYPE II PINS & SOCKETS TO ACCEPT ONE (1) 16 AWG, OR (1) 18 AWG STRANDED WIRE
- 4. TYPE II PINS & SOCKETS TO ACCEPT ONE (1) 14 AWG STRANDED WIRE.



RECOMMENDED PANEL CUTOUT

QTY REQD	QTY REQD	ITEM NO.	DWG SIZE	PART OR IDENTIFYING NO.	NOMENCLATURE OR DESCRIPTION	SYMBOL
-2	-1					

UNLESS OTHERWISE SPECIFIED: DIMENSIONS ARE IN INCHES TOLERANCES		CONTRACT NO.		AMP INCORPORATED CAPITRON DIVISION ELIZABETHTOWN, PENNSYLVANIA
.00 ±	ANGLES =	DR	L. Gieb 6-1-72	
.000 ±		CHK		
MATERIAL: MOLDED PLASTIC		APPD	M. Anderson 6/1/72	NAME
FINISH: BLACK		APPD		4 PIN PLUG & RECEPTACLE KIT
NEXT ASSY		DSGN APPD		SIZE
FINAL ASSY		OTHER APPD		CODE IDENT NO.
NEXT ASSY				NUMBER
USED ON				REV
QTY REQD	APPLICATION			E
				SCALE
				WT
				SHEET 1 OF 1

单击下面可查看定价，库存，交付和生命周期等信息

[>>TE Connectivity\(泰科\)](#)