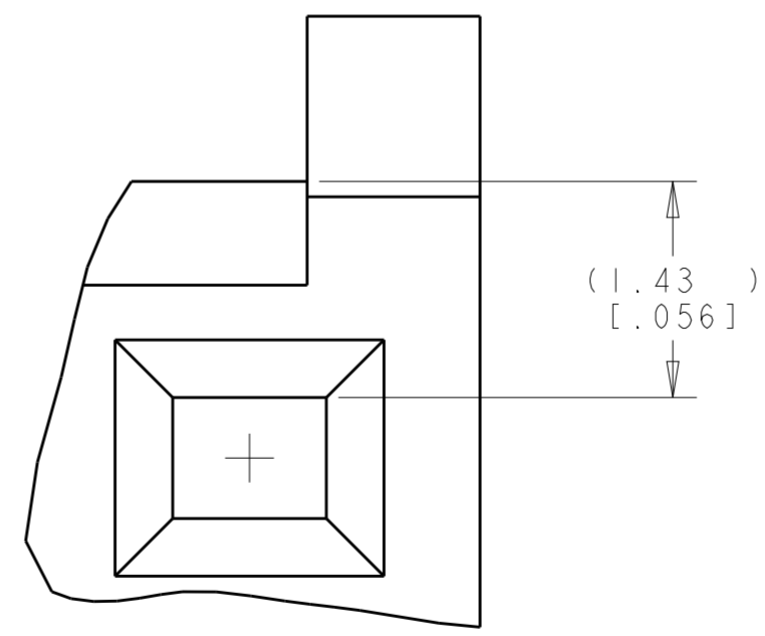
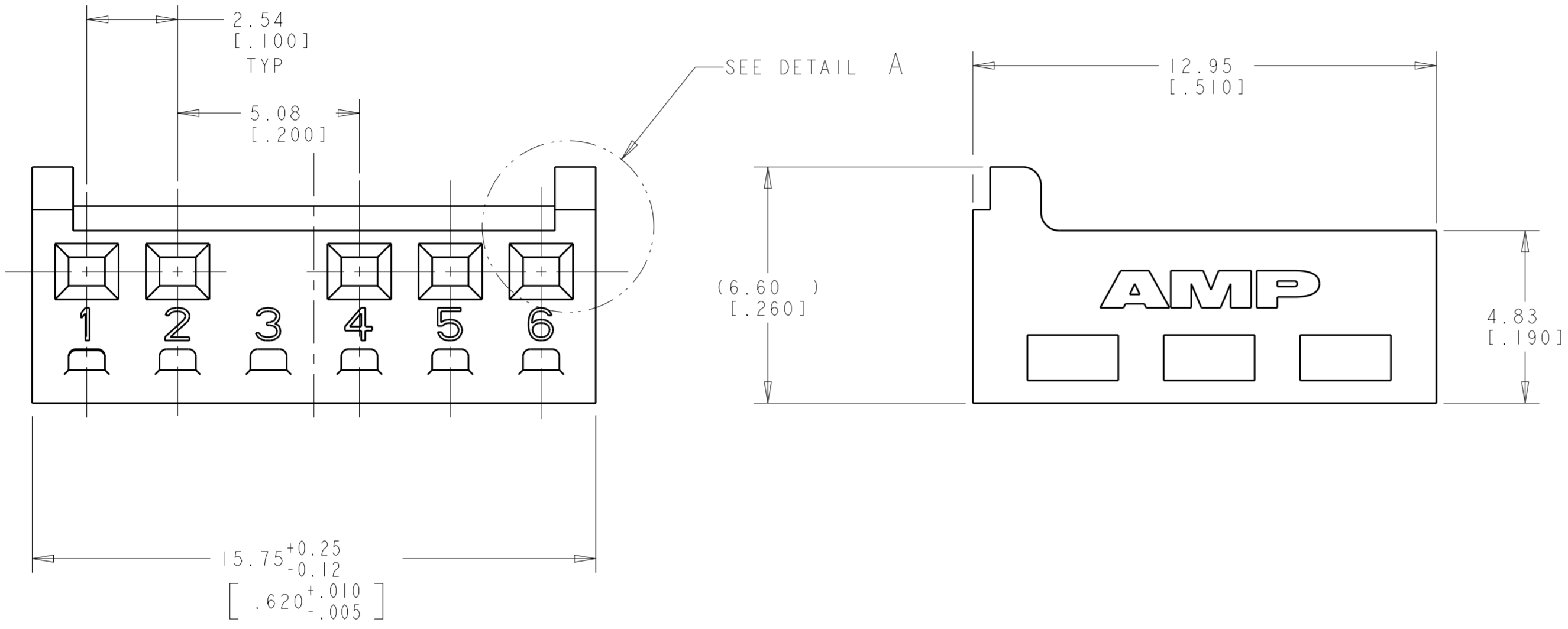


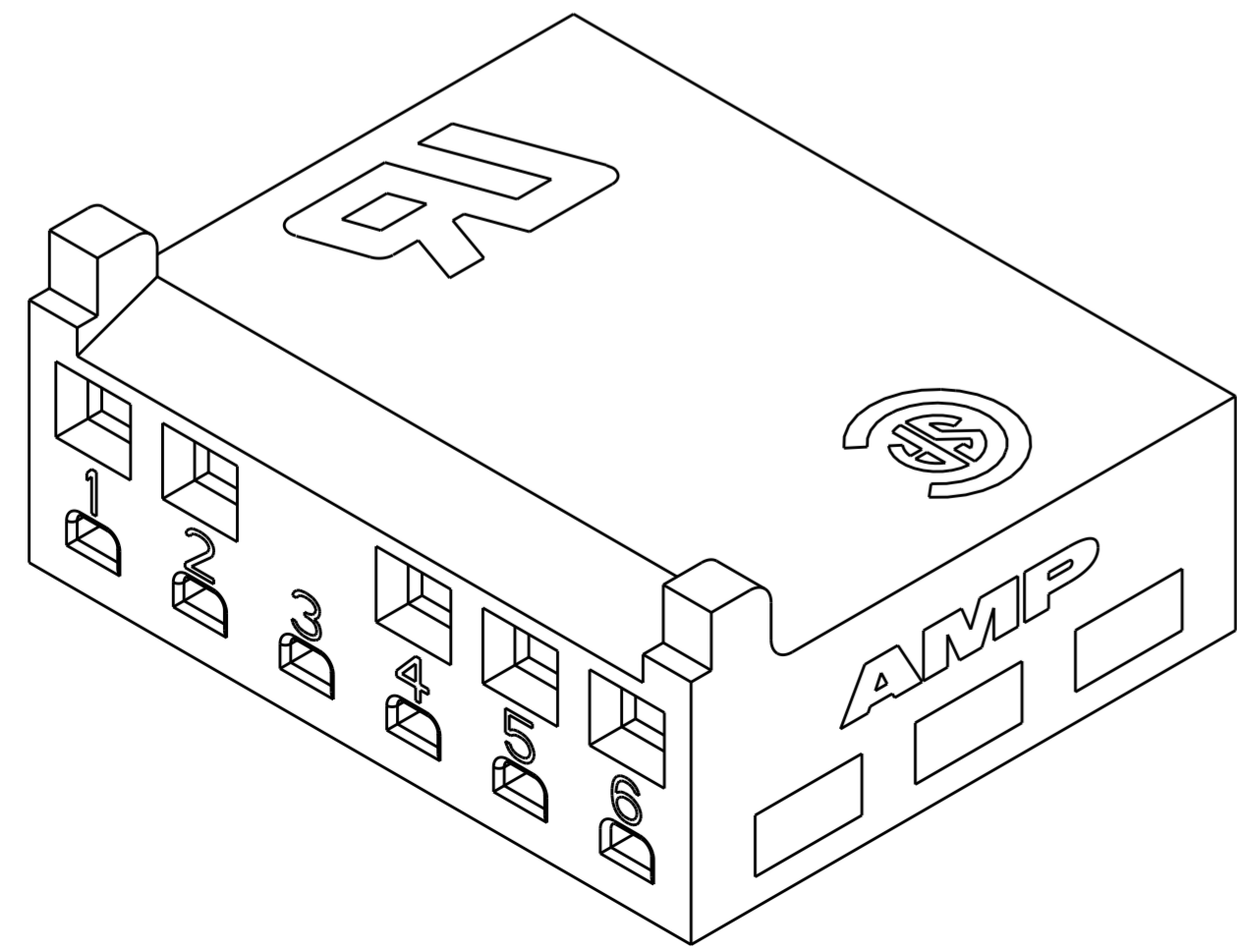
THIS DRAWING IS UNPUBLISHED. RELEASED FOR PUBLICATION 20
 © COPYRIGHT 20 BY - ALL RIGHTS RESERVED.

REVISIONS				
P	LTR	DESCRIPTION	DATE	APVD
C		REVISED PER ECR-13-015471	13NOV2013	KH TM

1. ACCEPTS CONTACT P/N 1375819.
 2. ACCEPTS MTA-100 KEYING PLUG P/N 641994-1.
 3. DIMENSIONS IN BRACKETS ARE IN INCHES.
 4. NOT FOR USE WITH CONTACT PART NUMBER 770601 OR 770666.
- △ 5 SUPERCEDED BY 1744329-1



DETAIL A
SCALE 20:1



△ 5	BLACK	0.027 IN ³	1744329-2
	NATURAL	0.027 IN ³	1744329-1
	COLOR	VOLUME	PART NUMBER

THIS DRAWING IS A CONTROLLED DOCUMENT.		DWN K. WHITAKER 12MAR2008	STE TE Connectivity	
DIMENSIONS: mm [INCHES]		CHK S. RIDGILL 2MAR2008	NAME HOUSING, CIRCUIT 3 BLOCKED, CST-100 11	
TOLERANCES UNLESS OTHERWISE SPECIFIED: 0 PLC ± 1 PLC ± 2 PLC ±0.13 [.005] 3 PLC ± 4 PLC ± ANGLES ± FINISH -		APVD S. RIDGILL 12MAR2008	PRODUCT SPEC 108-1948	
MATERIAL NYLON		APPLICATION SPEC 114-13036	RESTRICTED TO -	
		WEIGHT -	Customer Drawing	
		SIZE A200779	SCALE 8:1 SHEET OF REV C	

单击下面可查看定价，库存，交付和生命周期等信息

[>>TE Connectivity\(泰科\)](#)