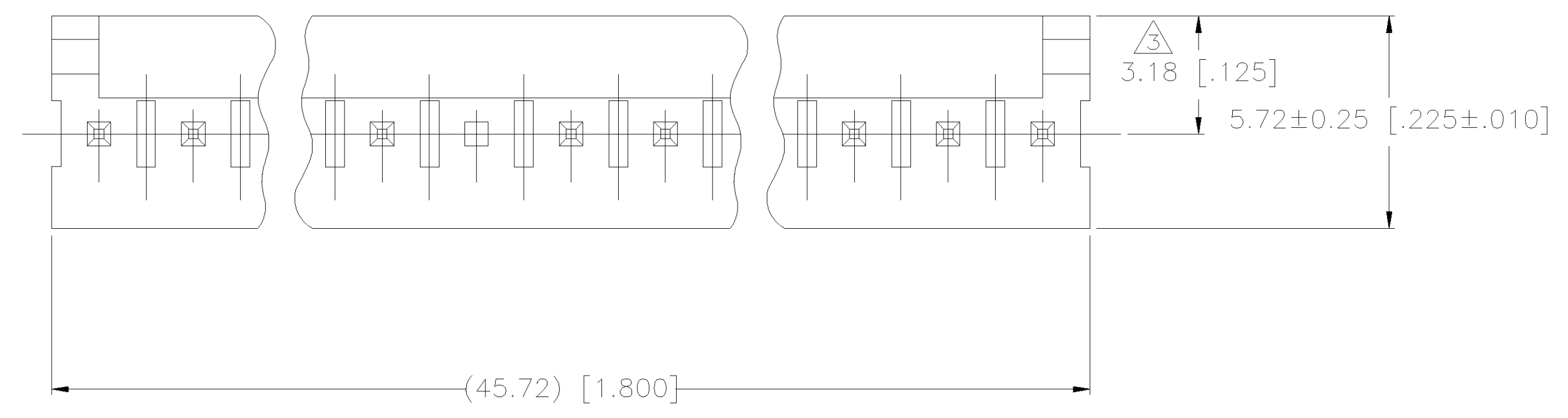
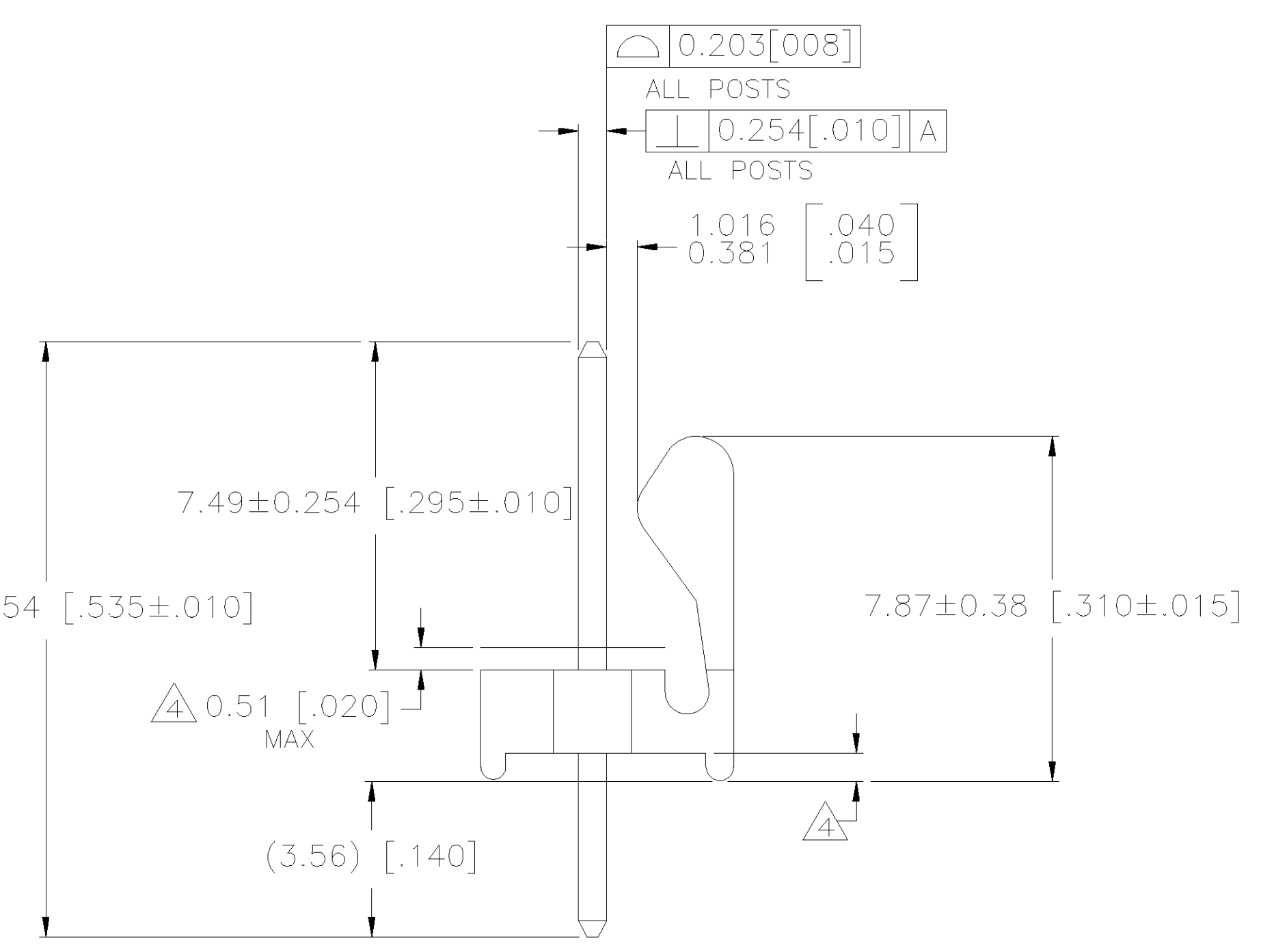
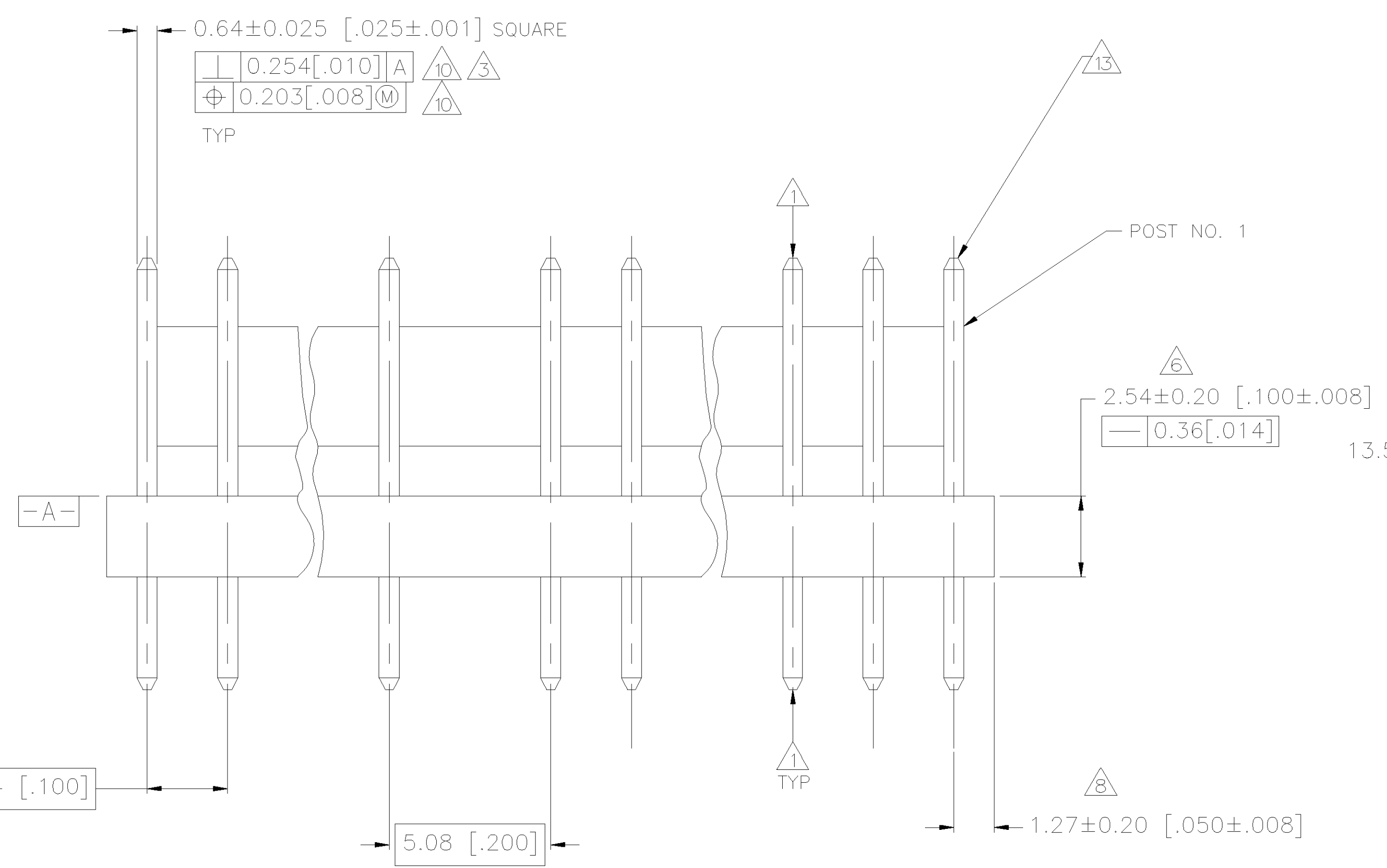


RECOMMENDED MOUNTING HOLE PATTERN FOR 1.60 [.063] THICK P.C. BOARD

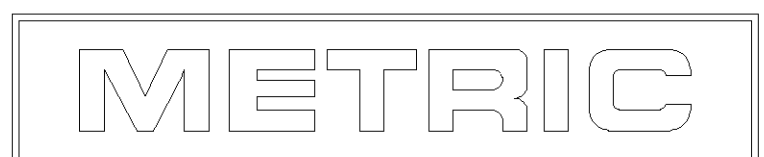


- 1. POST TO WITHSTAND 13 NEWTONS [3.0] LBS. MIN. AXIAL FORCE IN BOTH DIRECTIONS SHOWN WITHOUT DISLODGING.
- 2. TOLERANCES APPLY TO SOLDER SIDE OF BOARD.
- 3. MEASURED AT DATUM -A-
- 4. PLASTIC FLASH PERMITTED IN THIS AREA.
- 5. PARTS COMPLY WITH SOLDERABILITY SPEC. NO. 109-11-2.
- 6. ONE HOLE MAY BE UNDERSIZED 0.813-0.889 [.032-.035] DIA. FOR ASSEMBLY RETENTION DURING WAVE SOLDERING.
- 7. MATERIAL: HEADER-THERMOPLASTIC POLYESTER  
UL94V-0(NATURAL)  
POST-COPPER ALLOY (TIN-PLATED)
- 8. COORDINATE DIMENSION APPLIES FROM CENTER OF ACTUAL FEATURE.
- 9. PLASTIC BURRS CAUSED BY CUT-OFF TOOLING ARE PERMITTED WITHIN THE MAXIMUM TOLERANCE ENVELOPE.
- 10. POSTS TO BE MEASURED WHEN STRIP IS HELD FLAT.
- 11. POSTS MUST WITHSTAND TWO 90° BENDS AGAINST EXTRUSION WITHOUT BREAKING.
- 12. DIMENSION SHOULD BE 3.302 [.130] MIN WHEN MATING WITH A MTA 100 CONNECTOR ASSEMBLY OR A CST 100 CONNECTOR.
- 13. PIN BURR OF 0.127 [.005] MAX. HIGH AND 0.076 [.003] MAX. WIDE PERMITTED AT POST TIPS ON BOTH ENDS.



PART SHOWN 647306-5

9	647306-9
16	647306-8
10	647306-7
5	647306-6
7	647306-5
6	647306-4
4	647306-3
2	647306-2
3	647306-1
POST NUMBER OMITTED	PART NUMBER



THIS DRAWING IS A CONTROLLED DOCUMENT.		OWN: S. HAMM	25-JUL-2001	 Tyco Electronics Corporation Harrisburg, PA 17105-3608
DIMENSIONS: MM [INCHES]		CHK: D. BOSSI	25-JUL-2001	
TOLERANCES UNLESS OTHERWISE SPECIFIED:		APVD: D. BOSSI	25-JUL-2001	NAME: ASSEMBLY, MTA-100 HEADER, FRICTION LOCK, NOTCHED, 0.635 [.025] SQUARE STRAIGHT POST, 18 POSITION W/OMITTED POST
0 PLG ± -		APPLICATION SPEC	SIZE: A1	
1 PLG ± -		WEIGHT	00779	SCALE: 8:1
2 PLG ± 0.13[.005]		CUSTOMER DRAWING	00779	SHEET 1 OF 1
3 PLG ± -				REV C
4 PLG ± -				
ANGLES: ± 0°30'				
FINISH: -				

单击下面可查看定价，库存，交付和生命周期等信息

[>>TE Connectivity\(泰科\)](#)