

THIS DRAWING IS UNPUBLISHED. RELEASED FOR PUBLICATION  
 © COPYRIGHT - BY TYCO ELECTRONICS CORPORATION. ALL RIGHTS RESERVED.

LOC	DIST	REVISIONS					
		P	LTR	DESCRIPTION	DATE	DWN	APVD
GP	00		A	NEW RELEASE	5MAR07	RG	DO

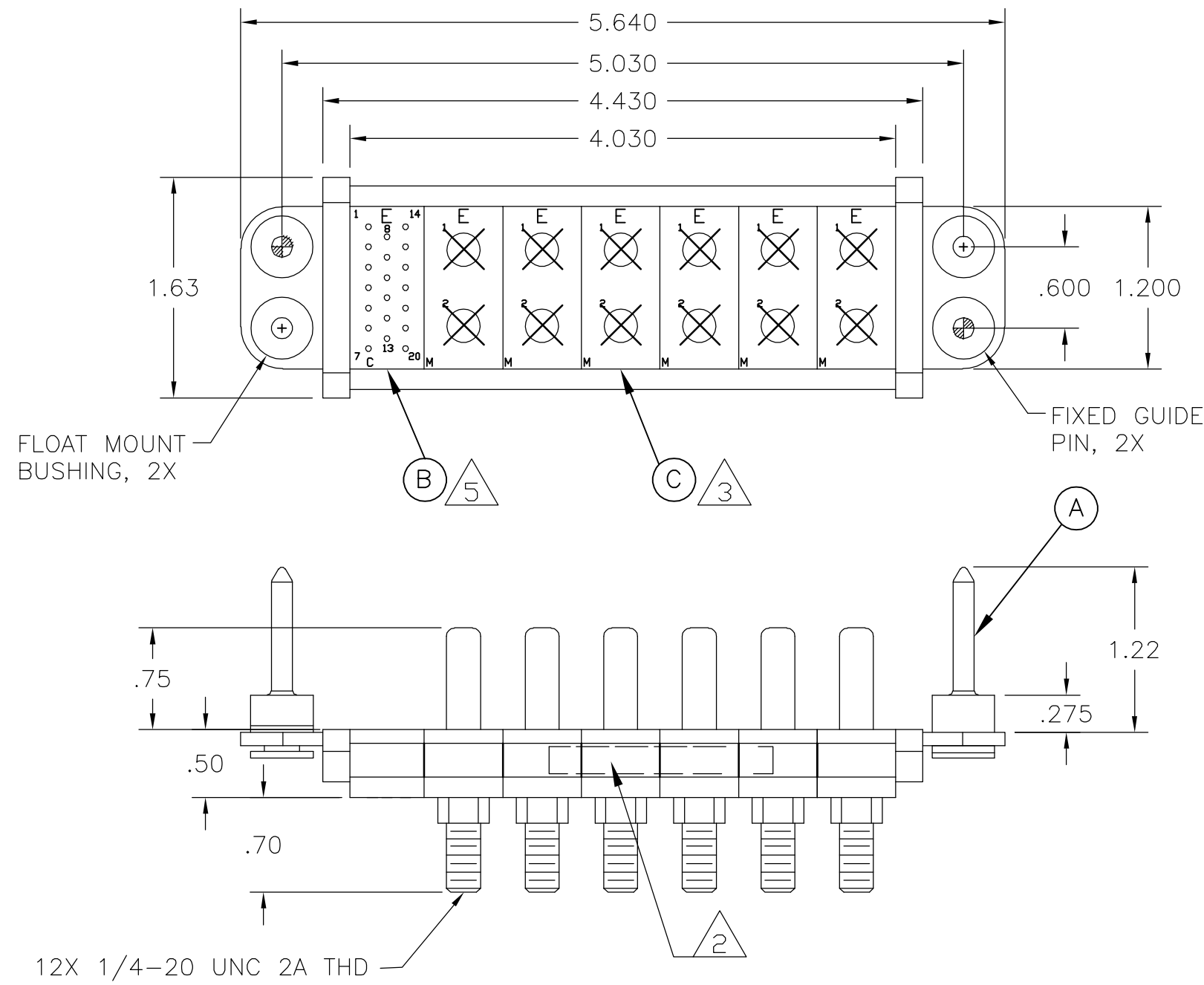
1. PART NUMBER CHANGES AND/OR DESIGN CHANGES AFFECTING ITEM INTERCHANGEABILITY REQUIRE PRIOR TYCO APPROVAL AND AUTHORIZATION BY REVISION TO THIS DRAWING.

△2 ITEMS PROVIDED TO THIS SPECIFICATION TO BE PERMANENTLY IDENTIFIED PER THE FOLLOWING IDENTIFIER:  
 YEAR  WEEK

TYCO PART NUMBER      DATE CODE (e.g. 0212)  
 XXXXXXXX-X              XXXX

- △3 MODULE M PIN CONTACTS INSTALLED.
- △4 MOUNTING FLANGE BUSHINGS ACCEPT 6/32 SCREW (.156 DIA. CLEARANCE HOLE, FLOAT MOUNT) OR 8/32 SCREW (.173 DIA. CLEARANCE HOLE, FLOAT MOUNT), USER SUPPLIED.
- △5 MODULES NOTED ARE CRIMP REMOVABLE STYLE CONTACTS. WILL BE PURCHASED SEPARATELY.  
 REF PIN CONTACT, SIZE 20, POSTMATE PN: 1650162-2  
 REF PIN CONTACT, SIZE 20, STD PN: 1650155-1

6. THIS CONNECTOR MATES WITH SOCKET CONN. TYCO PN 6646099-1

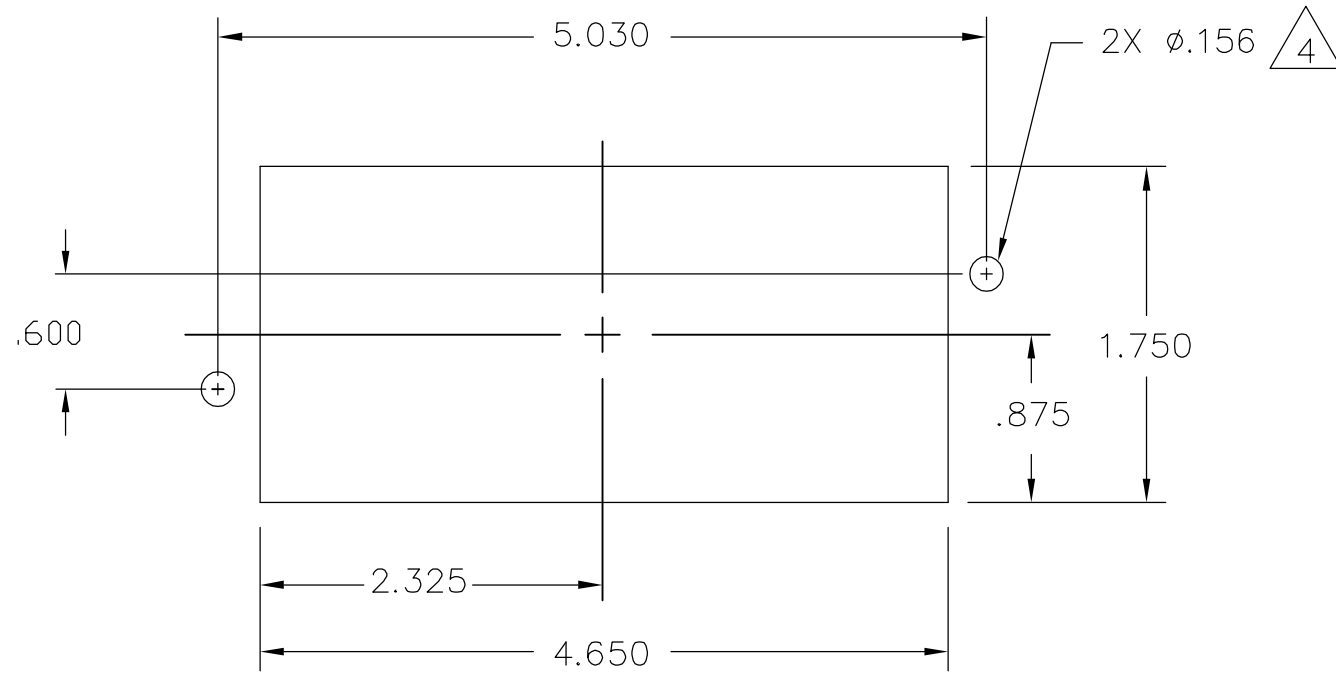


6	6648499-1	MODULE M	C
1	1648463-1	MODULE C	B
2	6648251-1	END CAP, GUIDE PIN, FLOAT	A
-1	PART NUMBER	DESCRIPTION	ITEM

THIS DRAWING IS A CONTROLLED DOCUMENT.		DWN R.GRZYBOWSKI 05MAR2007	Tyco Electronics Corporation Harrisburg, PA 17105-3608	
DIMENSIONS: INCHES		CHK D.ORRIS 5MAR07		
TOLERANCES UNLESS OTHERWISE SPECIFIED:		NAME PIN CONNECTOR DOMINO W/ PANEL CUT-OUT		
0 PLC ± - 1 PLC ± - 2 PLC ± .02 3 PLC ± .010 4 PLC ± - ANGLES ± 5		PRODUCT SPEC -		
MATERIAL		APPLICATION SPEC -		
FINISH		SIZE A3		
-		CAGE CODE 00779		
-		DRAWING NO C-6646098		
-		RESTRICTED TO -		
-		WEIGHT -		
-		CUSTOMER DRAWING		
-		SCALE 1:1		
-		SHEET 1 OF 2		
-		REV A		

THIS DRAWING IS UNPUBLISHED. RELEASED FOR PUBLICATION  
 © COPYRIGHT - BY TYCO ELECTRONICS CORPORATION. ALL RIGHTS RESERVED.

LOC		DIST		REVISIONS					
GP		00		P	LTR	DESCRIPTION	DATE	DWN	APVD
						SEE SHEET 1	-	-	-



PIN PANEL MOUNT CUTOUT  
 SCALE: NONE

THIS DRAWING IS A CONTROLLED DOCUMENT.		DWN R.GRZYBOWSKI	05MAR2007	Tyco Electronics Corporation Harrisburg, PA 17105-3608	
DIMENSIONS: INCHES		CHK D.ORRIS	5MAR07	NAME	
		APVD S.FLICKINGER	5MAR07	PIN CONNECTOR DOMINO W/ PANEL CUT-OUT	
TOLERANCES UNLESS OTHERWISE SPECIFIED:		PRODUCT SPEC		RESTRICTED TO	
0 PLC ± - 1 PLC ± - 2 PLC ± .02 3 PLC ± .010 4 PLC ± - ANGLES ± 5		APPLICATION SPEC		SIZE	CAGE CODE
MATERIAL		WEIGHT		A3	00779
FINISH		CUSTOMER DRAWING		DRAWING NO	6646098
		SCALE		SHEET	REV
		1:1		2 OF 2	A

单击下面可查看定价，库存，交付和生命周期等信息

[>>TE Connectivity\(泰科\)](#)