

THIS DRAWING IS UNPUBLISHED.

RELEASED FOR PUBLICATION

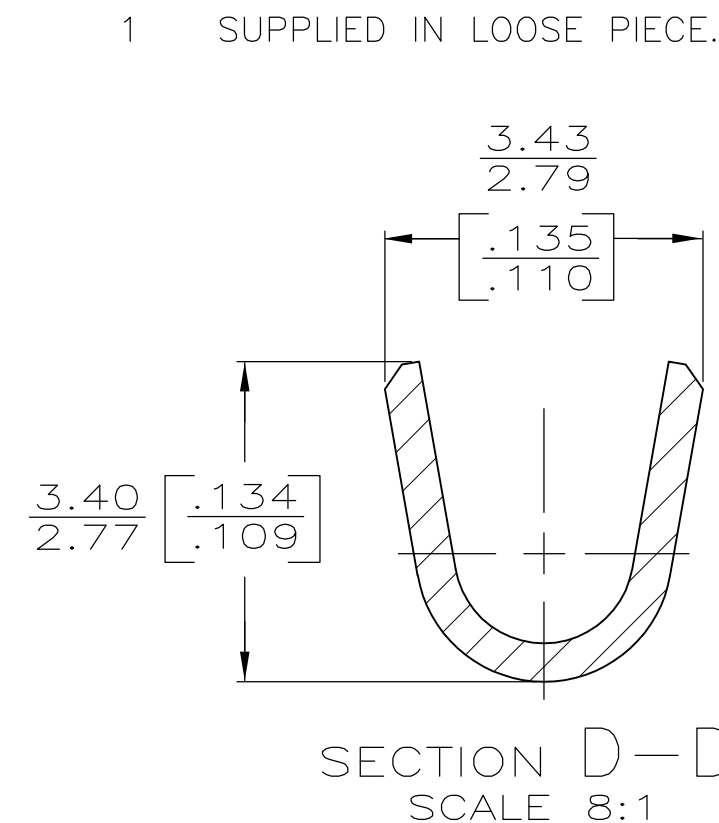
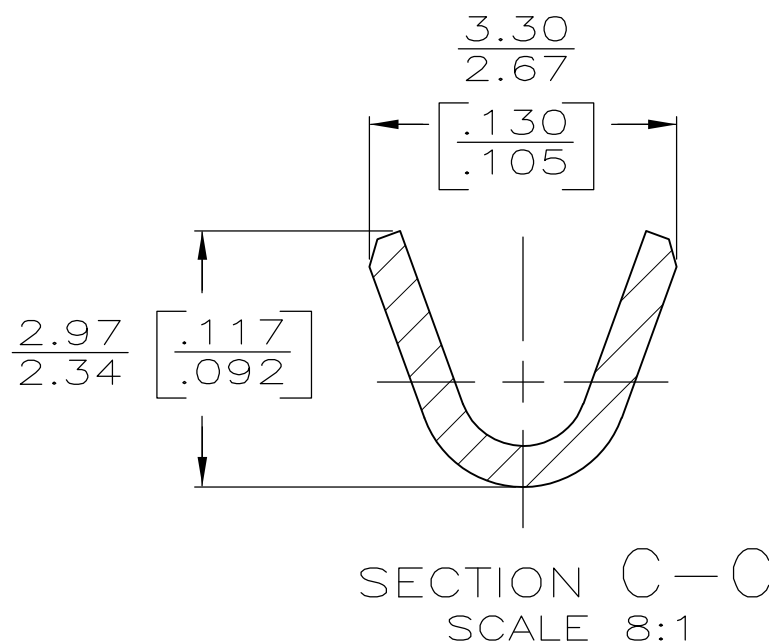
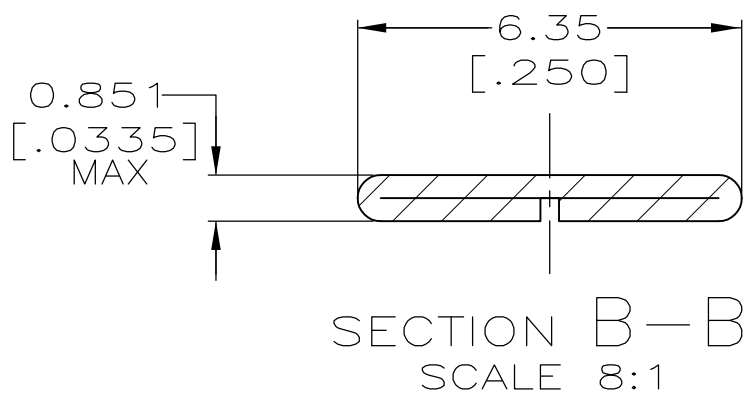
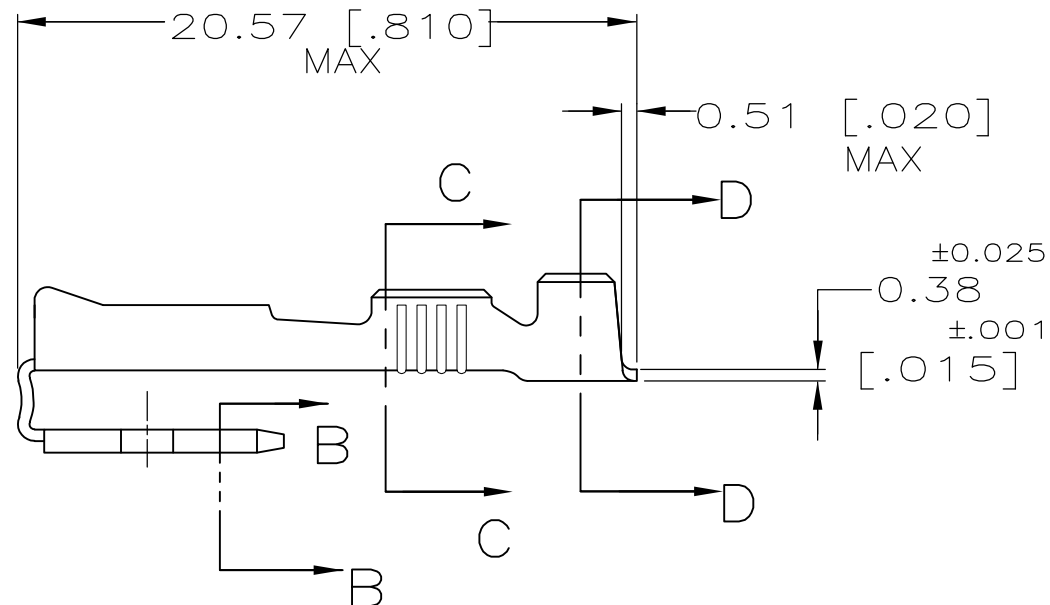
ALL RIGHTS RESERVED.

© COPYRIGHT - By -


LOC AF DIST 50

REVISIONS

P	LTR	DESCRIPTION	DATE	DWN	APVD
	A	REVISED PER ECR-12-013459	27NOV2012	KH	PD



[#22-#18] AWG	TIN	62274-1
WIRE SIZE	FINISH	PART NO.

THIS DRAWING IS A CONTROLLED DOCUMENT.		DWN JR RUTH 11/17/93	 TE Connectivity											
DIMENSIONS: mm [INCHES]		CHK MS FEHER 11/17/93												
TOLERANCES UNLESS OTHERWISE SPECIFIED:		APVD J GILLESPIE 11/17/93												
<table border="0"> <tr><td>0 PLC</td><td>± -</td></tr> <tr><td>1 PLC</td><td>± -</td></tr> <tr><td>2 PLC</td><td>± 0.25 [.010]</td></tr> <tr><td>3 PLC</td><td>± -</td></tr> <tr><td>4 PLC</td><td>± -</td></tr> <tr><td>ANGLES</td><td>± -</td></tr> </table>		0 PLC			± -	1 PLC	± -	2 PLC	± 0.25 [.010]	3 PLC	± -	4 PLC	± -	ANGLES
0 PLC	± -													
1 PLC	± -													
2 PLC	± 0.25 [.010]													
3 PLC	± -													
4 PLC	± -													
ANGLES	± -													
MATERIAL BRASS		FINISH SEE TABLE	RECEPTACLE, FASTON, 6.35 [.250] SERIES											
		WEIGHT -	SIZE A3	CAGE CODE 00779	DRAWING NO C-62274	RESTRICTED TO -								
		CUSTOMER DRAWING	SCALE 4:1	SHEET 1 OF 1	REV A									

单击下面可查看定价，库存，交付和生命周期等信息

[>>TE Connectivity\(泰科\)](#)