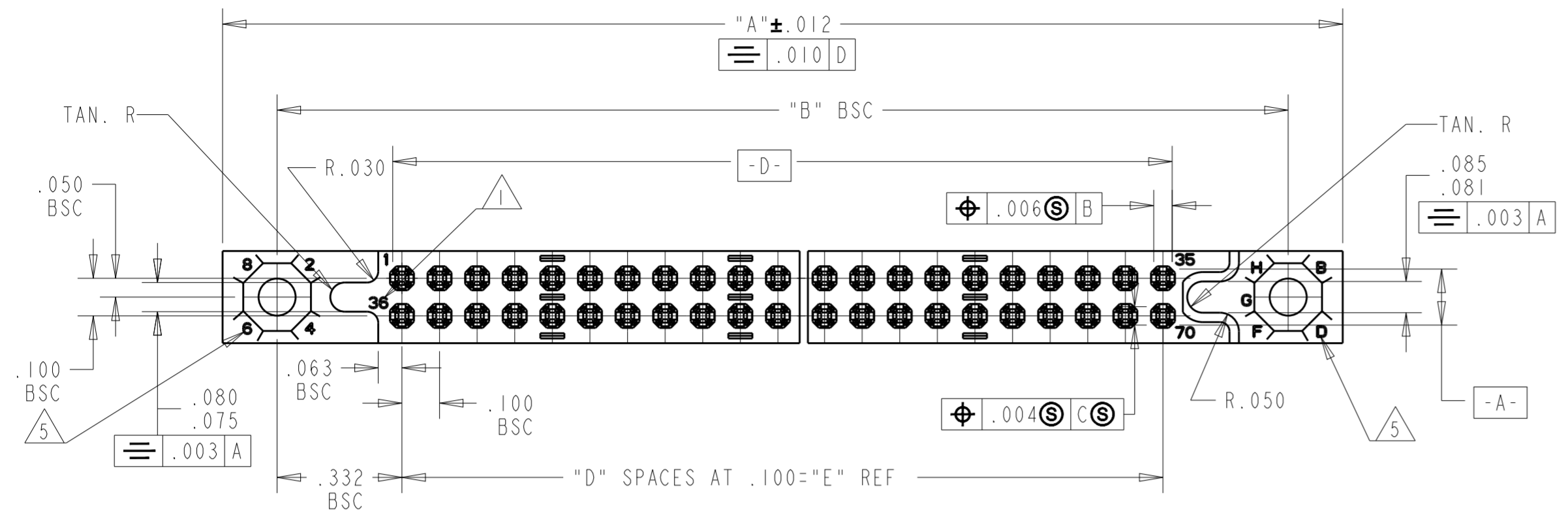
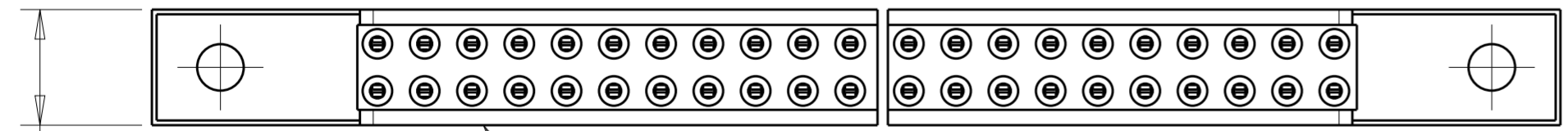
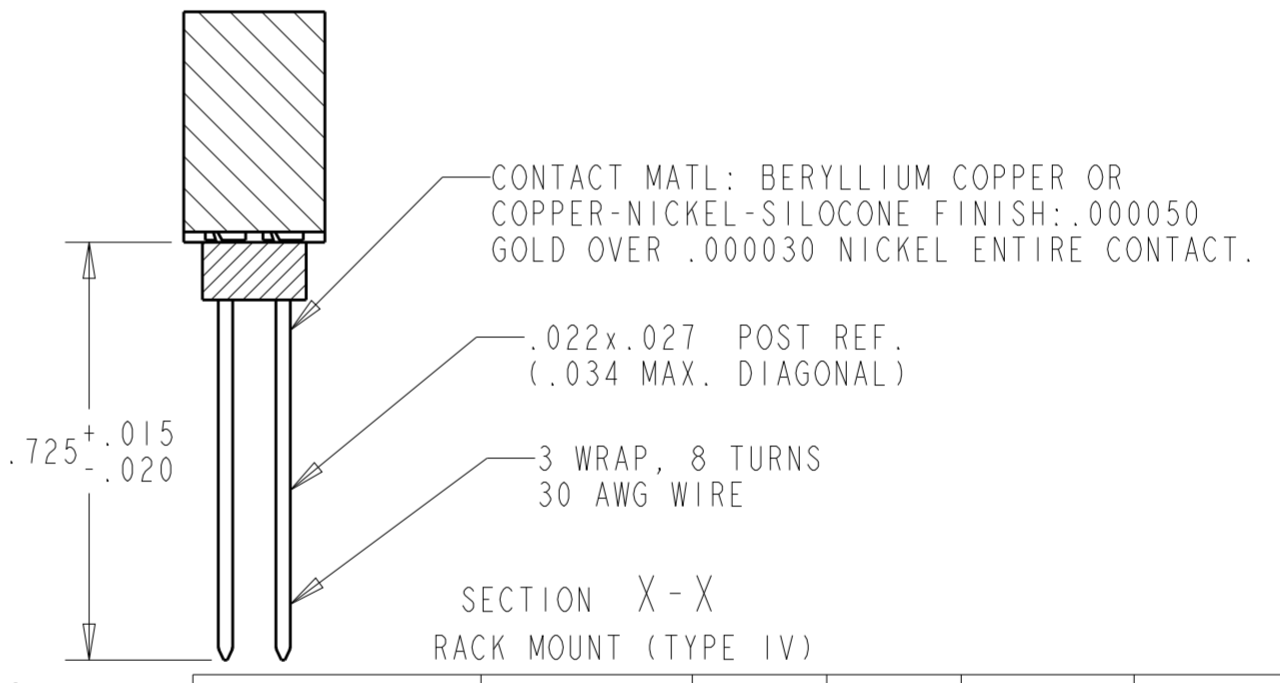
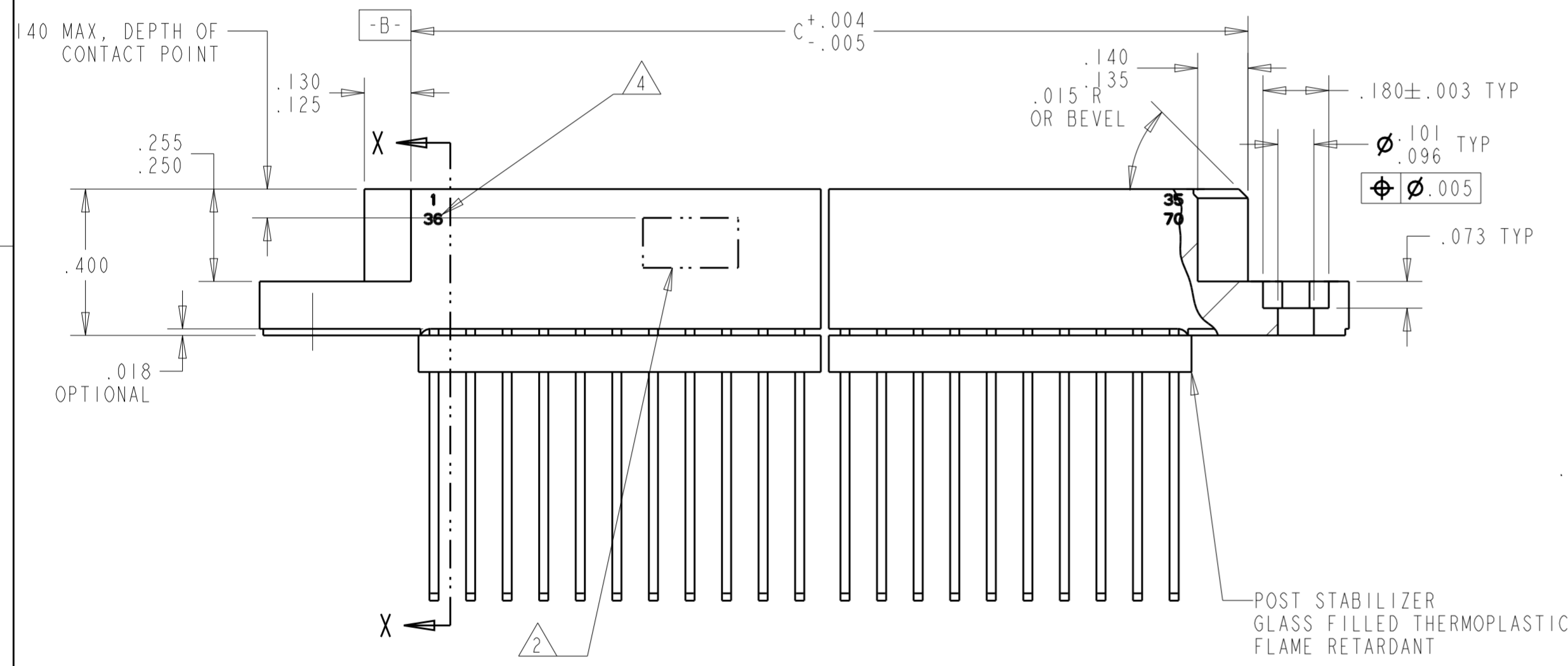


REVISIONS					
P	LTR	DESCRIPTION	DATE	DWN	APVD
G		REV PER ECO-05-013278	11-05	-	-
H		REVISED PER ECO ECO 19-004666	28APR19	LN	CT



- 1 NUMBER AND LINES INDICATING EVERY FIVE CAVITIES MOLDED OR MARKED ON MATING FACE.
- 2 AMP PART NO AND DATE CODE, 00779 & MILITARY PARTS NUMBER MOLDED OR MARKED THIS APPROX AREA (INSIDE OPTIONAL).
- 3. MUST MEET ALL APPLICABLE REQUIREMENTS OF MIL-C-55302.
- 4 NUMBERS INDICATING EVERY FIVE CAVITES MOLDED OR MARKED ON SIDE.
- 5 KEY POSITIONS IDENTIFICATION MOLDED ON SURFACES SHOWN.
- 6. USE EXTERNAL KEY NUMBERS 530341-1 MATES WITH PART NO. 530339.
- 7 MEETS ALL APPLICABLE REQUIREMENTS OF MIL-C-55302.
- 8 EPOXY ADDED TO AREA WHERE THE CONTACT POSTS EMERGE FROM THE STABILIZER TO INSURE TRUE POSITION.



M55302/27-126	56	55	5.400	54	5.665	6.065	6.355	110	530763-9
M55302/27-125	51	50	4.900	49	5.165	5.565	5.855	100	530763-8
M55302/27-124	46	45	4.400	44	4.665	5.065	5.355	90	530763-7
M55302/27-123	41	40	3.900	39	4.165	4.565	4.855	80	530763-6
M55302/27-122	36	35	3.400	34	3.665	4.065	4.355	70	530763-5
M55302/27-121	31	30	2.900	29	3.165	3.565	3.855	60	530763-4
M55302/27-120	26	25	2.400	24	2.665	3.065	3.355	50	530763-3
M55302/27-119	21	20	1.900	19	2.165	2.565	2.855	40	530763-2
M55302/27-118	16	15	1.400	14	1.665	2.065	2.355	30	530763-1
MILITARY PART NO	CONTACT OF IDENTITY NO		E	D	C	B	A	NO OF CONTACTS	PART NO

THIS DRAWING IS A CONTROLLED DOCUMENT.

DWN: LOHITH N 28APR2019
 CHK: C THOMAS 28APR2019
 APVD: C THOMAS 28APR2019

TE Connectivity

NAME: BOX CONNECTOR RCPT. ASSY, .100 GRID, EXTERNAL KEYING

SIZE: A2 CAGE CODE: 00779 DRAWING NO: 530763

MATERIAL: SEE CALLOUT TOLERANCES UNLESS OTHERWISE SPECIFIED: SEE CALLOUT

0 PLC ±
 1 PLC ±
 2 PLC ±
 3 PLC ±.005
 4 PLC ±
 ANGLES ±
 FINISH -

WEIGHT: -

CUSTOMER DRAWING SCALE: 5:1 SHEET: 1 OF 1 REV: H

单击下面可查看定价，库存，交付和生命周期等信息

[>>TE Connectivity\(泰科\)](#)