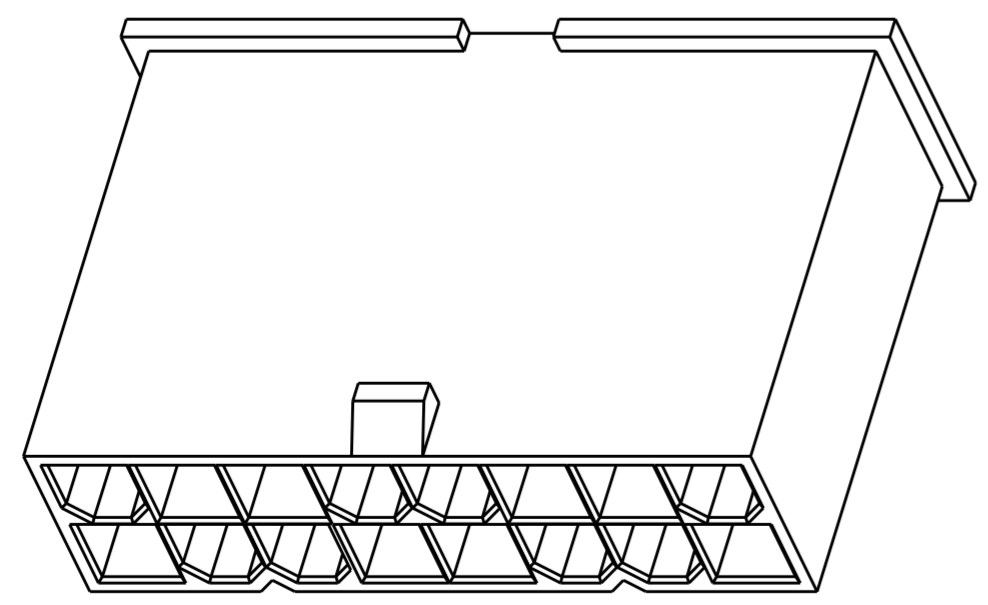
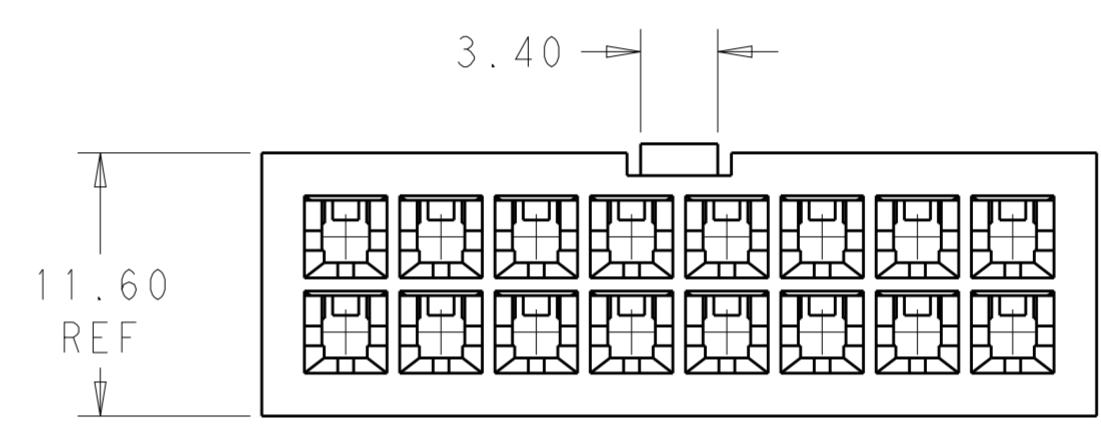
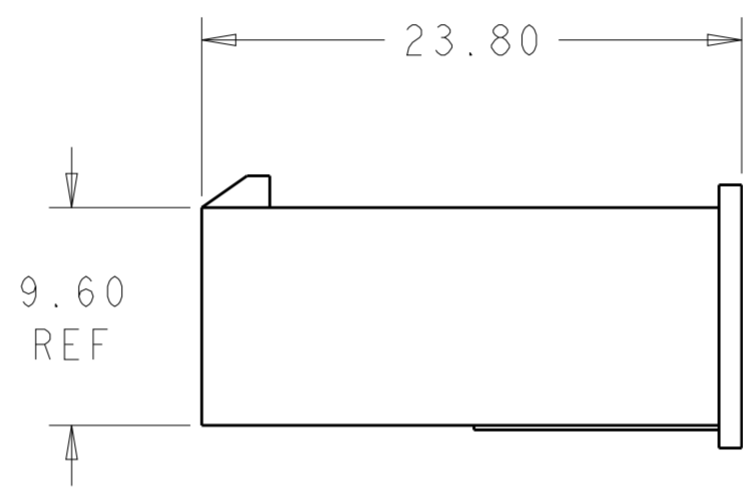
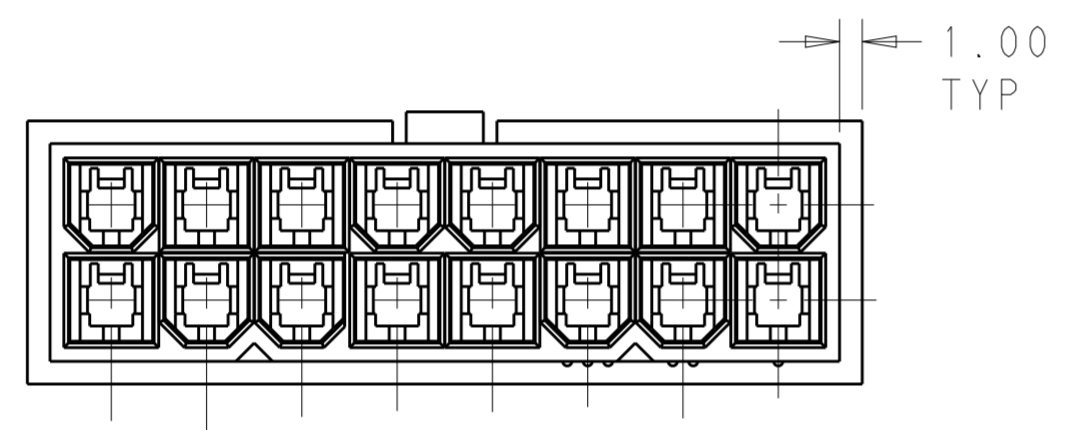
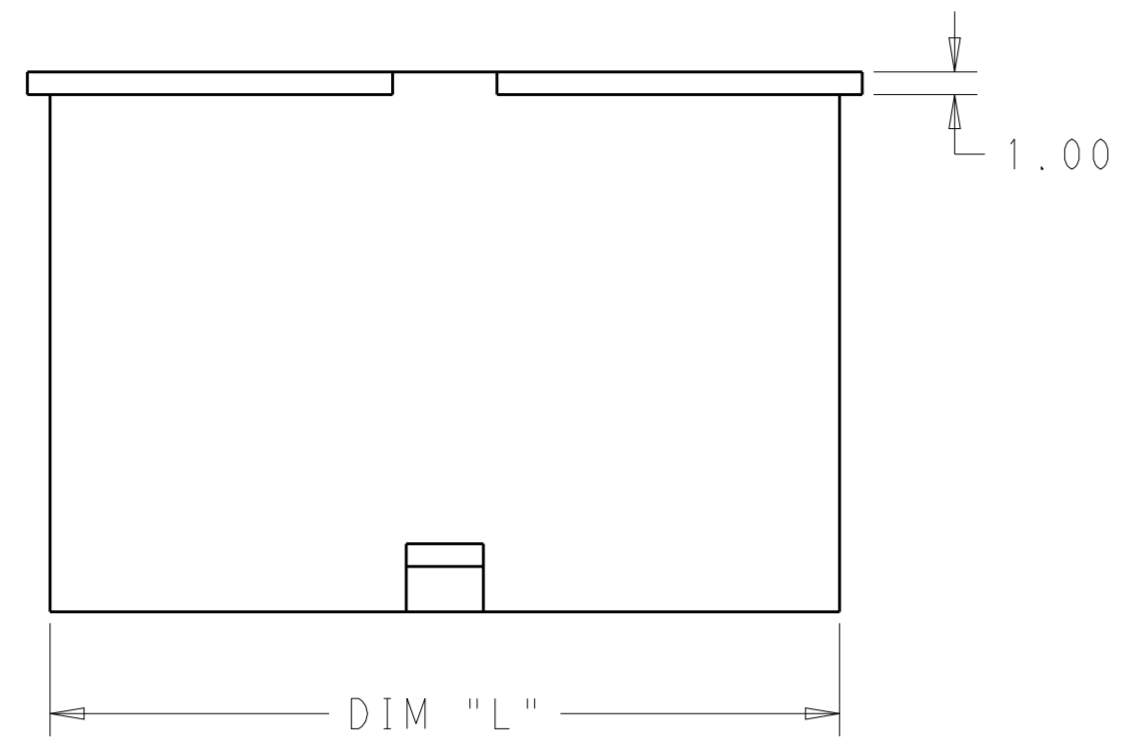


THIS DRAWING IS UNPUBLISHED. RELEASED FOR PUBLICATION 20
 © COPYRIGHT 20 BY - ALL RIGHTS RESERVED.

LOC		DIST		REVISIONS			
P	LTR	DESCRIPTION	DATE	DWN	APVD		
AF	-	A	REVISED PER ECR-13-018775	11DEC2013	KH	KR	



51.60	24	2-1969598-4
47.40	22	2-1969598-2
43.20	20	2-1969598-0
39.00	18	1-1969598-8
34.80	16	1-1969598-6
30.60	14	1-1969598-4
26.40	12	1-1969598-2
22.20	10	1-1969598-0
18.00	8	1969598-8
13.80	6	1969598-6
9.60	4	1969598-4
5.40	2	1969598-2
DIM L	NO. OF POS	PART NO.

THIS DRAWING IS A CONTROLLED DOCUMENT.		DWN	JR RUTH	12DEC2012
DIMENSIONS:		CHK	KURT RANDOLPH	12DEC2012
mm	TOLERANCES UNLESS OTHERWISE SPECIFIED:	APVD	KURT RANDOLPH	12DEC2012
	0 PLC ±	PRODUCT SPEC	-	
	1 PLC ±	APPLICATION SPEC	-	
	2 PLC ±0.25	WEIGHT	-	
	3 PLC ±			
	4 PLC ±			
	ANGLES ±			
MATERIAL	FINISH	TE Connectivity NAME PLUG HOUSING VAL-U-LOK -		
NYLON 6/6, V2	COLOR-NATURAL	SIZE	A200779	CAGE CODE
		DRAWING NO	C-1969598	RESTRICTED TO
		Customer Drawing	SCALE 3:1	SHEET 1 OF 1
				REV A

单击下面可查看定价，库存，交付和生命周期等信息

[>>TE Connectivity\(泰科\)](#)