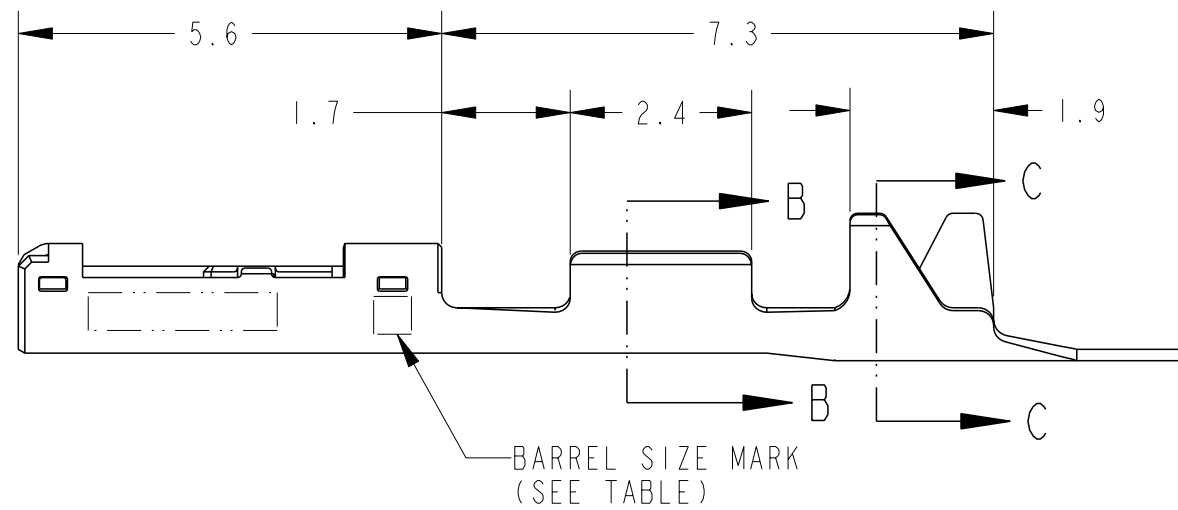
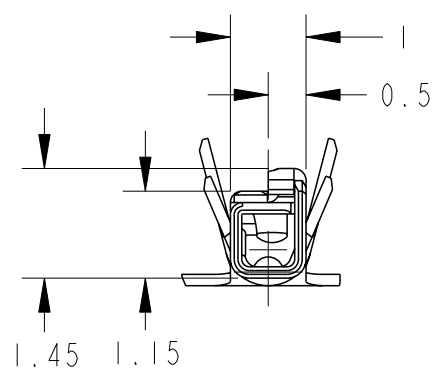
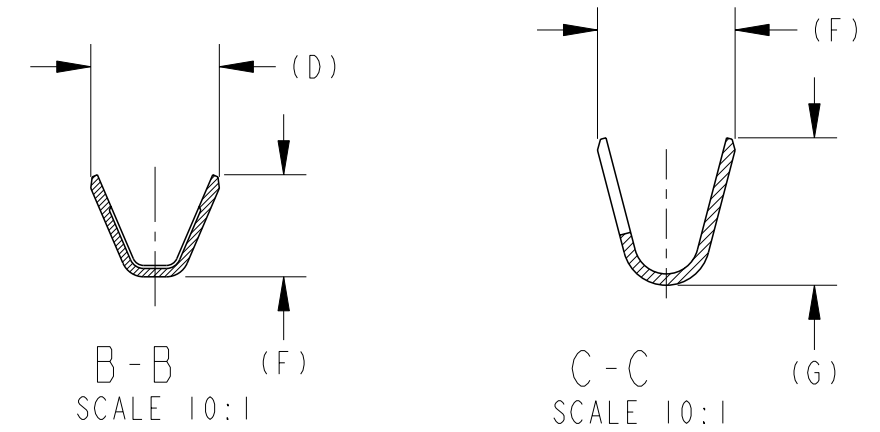
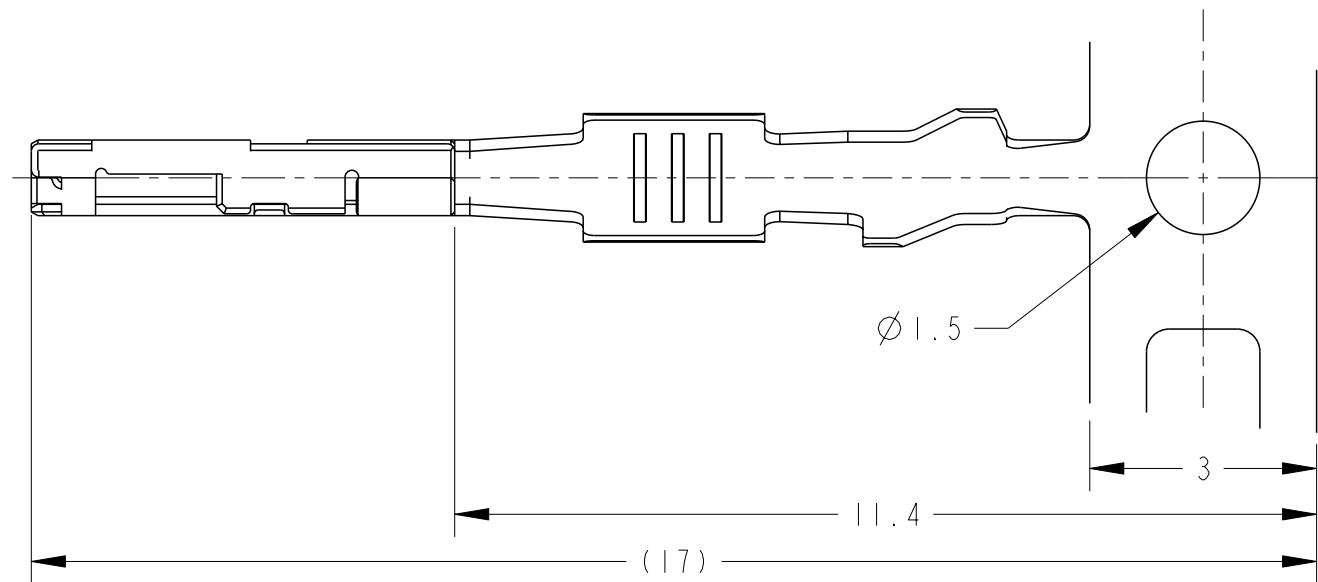


P	LTR	DESCRIPTION	DATE	DWN	APVD
A		RELEASED	ECR-08-017654	22JUL08	YS HY
A1		REVISED	ECR-19-005935	16OCT2019	DM HK
A2		REVISED	ECR-20-004548	27MAR2020	DT RK
A3		REVISED	ECR-20-004890	09APR2020	DT RK



- 1. 適用電線; TABLE-1参照
- 2. 圧着作業については、下記の規格を参照すること  
取付適用規格; 114-5379
- 3. アプリケータ送りピッチ; 7mm

- 1. APPLICABLE WIRE RANGE; SEE TABLE-1
- 2. MUST BE REFERRED TO THE FOLLOWING DOCUMENTS FOR CRIMPING OPERATION  
APPLICATION SPEC; 114-5379
- 3. APPLICATOR FEED; 7mm

TABLE-1

	CHFUS 0.13mm <sup>2</sup>	Ø0.85~0.95	0.13mm <sup>2</sup>	1.34	1.62	1.07	1.57	SS	0.50 REC (SS)	1827855-6
	CHFUS 0.13mm <sup>2</sup>	Ø0.85~0.95	0.13mm <sup>2</sup>	1.74	1.82	1.26	1.7	S	0.50 REC (S)	1827855-4
	CPEX 0.22mm <sup>2</sup>	Ø1.3~1.5	0.22~0.35mm <sup>2</sup>	2.45	2.1	1.35	1.7	C	0.50 REC (C)	1827855-3
	CHFUS 0.35~0.5mm <sup>2</sup>	Ø1.1~1.4	0.35~0.5mm <sup>2</sup>	2.45	2.1	1.7	1.8	L	0.50 REC (L)	1827855-2
1903365-1	CHFUS 0.22~0.35mm <sup>2</sup>	Ø0.95~1.2	0.22~0.35mm <sup>2</sup>	1.95	1.82	1.35	1.7	M	0.50 REC (M)	1827855-1
LOOSE PIECE	APPLICABLE WIRE RANGE	INS RANGE	WIRE RANGE	G	F	E	D	BARREL SIZE MARK	NAME	PART NO

THIS DRAWING IS A CONTROLLED DOCUMENT.

DIMENSIONS: 単位: 耗 mm	TOLERANCES UNLESS OTHERWISE SPECIFIED: 一般公差 ±0.3 0-PLC ± 1-PLC ±0.3 2-PLC ±0.10 3-PLC ±0.001 4-PLC ±0.0001 ANGLES ±3'00"
MATERIAL 材料 COPPER ALLOY	FINISH 仕上 PRE-TIN

DWN Y. SUEMITSU 25APR2005	CHK K. SAKAMAKI 25APR2005	APVD S. ISOHATA 25APR2005
PRODUCT SPEC 製品規格 108-78208		
APPLICATION SPEC 取付適用規格 114-5379		
WEIGHT 0.06 g	SIZE A3	CAGE CODE 00779
CUSTOMER DRAWING		

		DRAWING NO C=1827855		RESTRICTED TO -
		SCALE 尺度 10:1	SHEET 1 OF 1	

单击下面可查看定价，库存，交付和生命周期等信息

[>>TE Connectivity\(泰科\)](#)