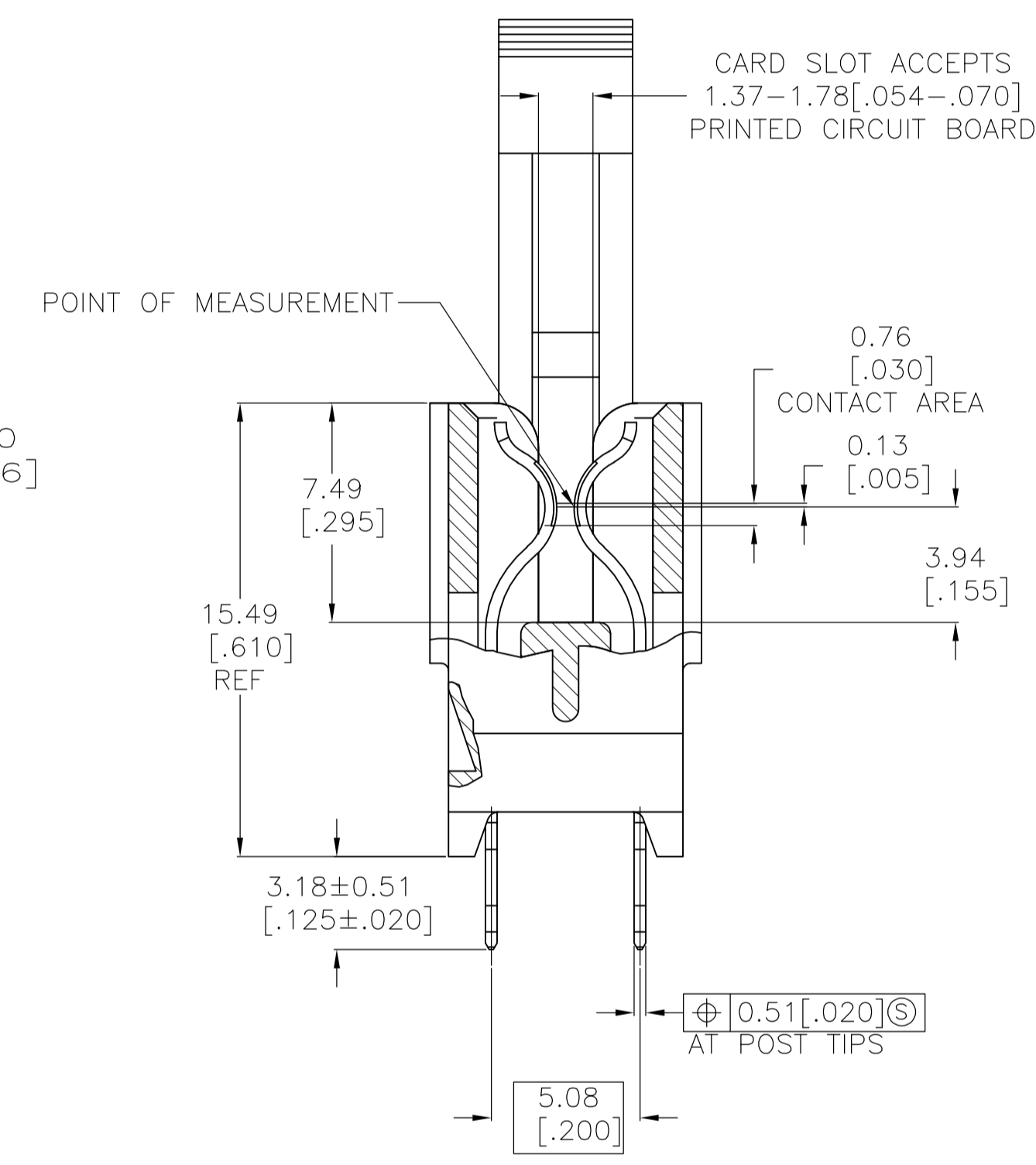


- MATERIAL:**
 HOUSING: GLASS FILLED POLYESTER; COLOR: BLACK.
 CONTACT: PHOS BRONZE
 LATCH: GLASS FILLED POLYESTER; COLOR: BLACK
- FINISH:**
 0.00076[.000030] MIN GOLD PLATE IN CONTACT AREA,
 0.00254[.000100] MIN MATTE TIN ON SOLDER POSTS, ALL
 OVER 0.00127[.000050] MIN NICKEL
- AMP LOGO, TE PART NUMBER, DATE CODE AND CSA LOGO INK**
 STAMPED WHITE (HOT STAMPED OR LAZER PRINTED) IN THE APPROXIMATE
 AREA SHOWN, EITHER SIDE PERMISSABLE, WHEN HOUSING SIZE PERMITS
- DATUMS AND BASIC DIMENSIONS ESTABLISHED BY CUSTOMER**
- CONNECTORS SHOWN ARE USED IN APPLICATIONS WITH VRM MODULES WEIGHING**
 3 OUNCES OR LESS. ALTERNATE CONNECTOR AND LATCH METHOD IS AVAILABLE FOR
 VRM MODULES WEIGHING UP TO 6 OUNCES.
- CAUTION: LATCHES ARE INTENDED FOR RETENTION OF PC BOARD TO CONNECTOR.**
 DO NOT ATTEMPT TO FULLY EJECT PC BOARD FROM CONNECTOR WHILE DISENGAGING
 LATCHES. DAMAGE TO LATCHES AND OR CONNECTOR MAY OCCUR
- RECOMMENDED FINISHED HOLE SIZES:**
 TIN PLATED HOLE - Ø1.02±0.08[Ø.040±.003]
 GOLD PLATED - Ø1.07±0.05[Ø.042±.002]
- OBsolete PARTS: OBsolete CIS STREAMLINING PER D.RENAUD/D.SINISI**



OBsolete	6489648-4
OBsolete	6489648-3
OBsolete	6489648-2
OBsolete	6489648-1

PART NUMBER

	23 & 24	-	70	36	35	57.15 [2.250]	107.26 [4.223]	123.16 [4.849]	110.08 [4.334]	100.18 [3.944]	92.68 [3.649]	86.36 [3.400]	34	35	6489648-6	
8	OBsolete	23 & 24	8	50	26	25	57.15 [2.250]	81.86 [3.223]	97.76 [3.849]	84.68 [3.334]	74.78 [2.944]	67.28 [2.649]	60.96 [2.400]	24	25	6489648-5
		MOLDED-IN KEYING FEATURE LOCATED BETWEEN PINS	OMITTED PIN & HOLE	L	K	J	H	G	F	E	D	C	B	A	NO OF DUAL POSITIONS	PART NUMBER

THIS DRAWING IS A CONTROLLED DOCUMENT.

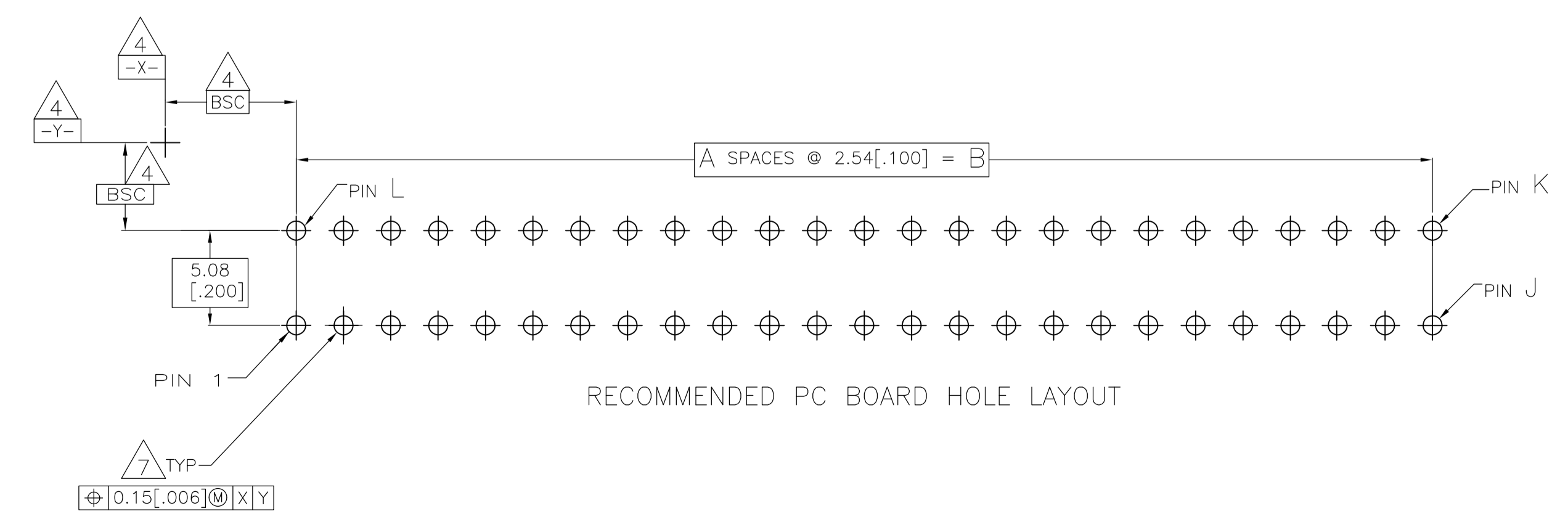
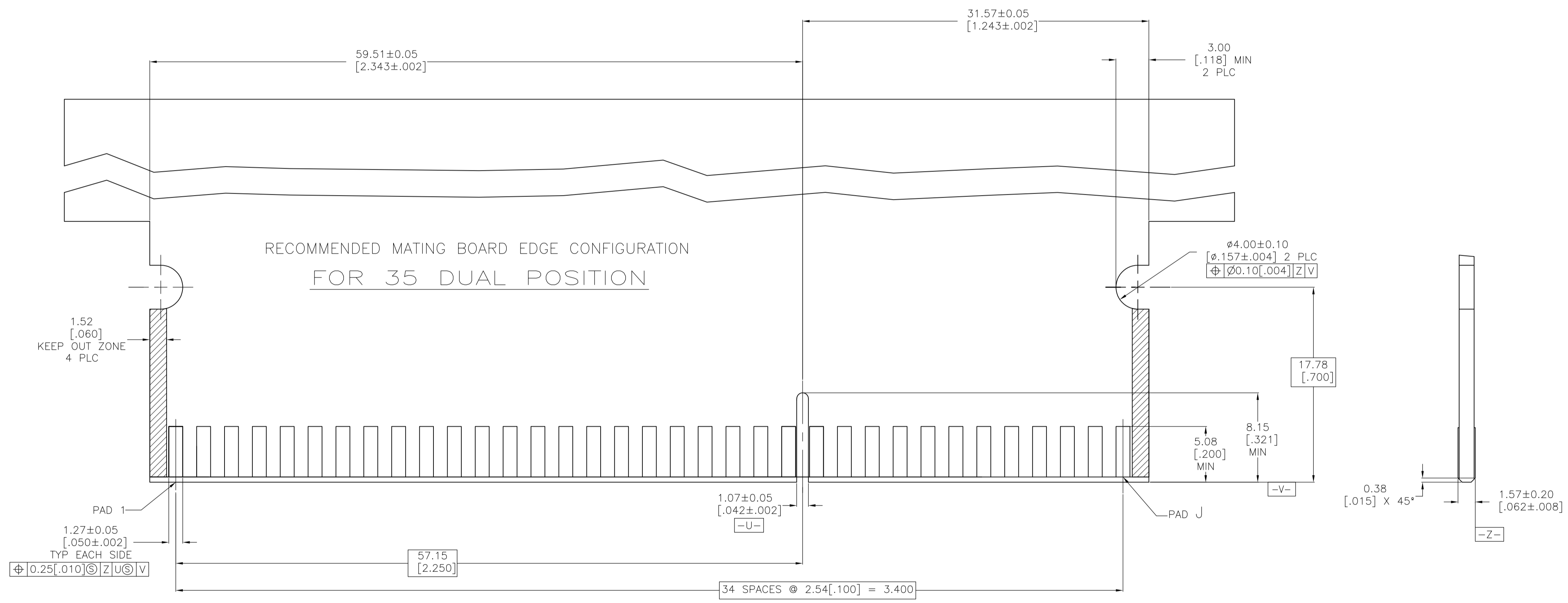
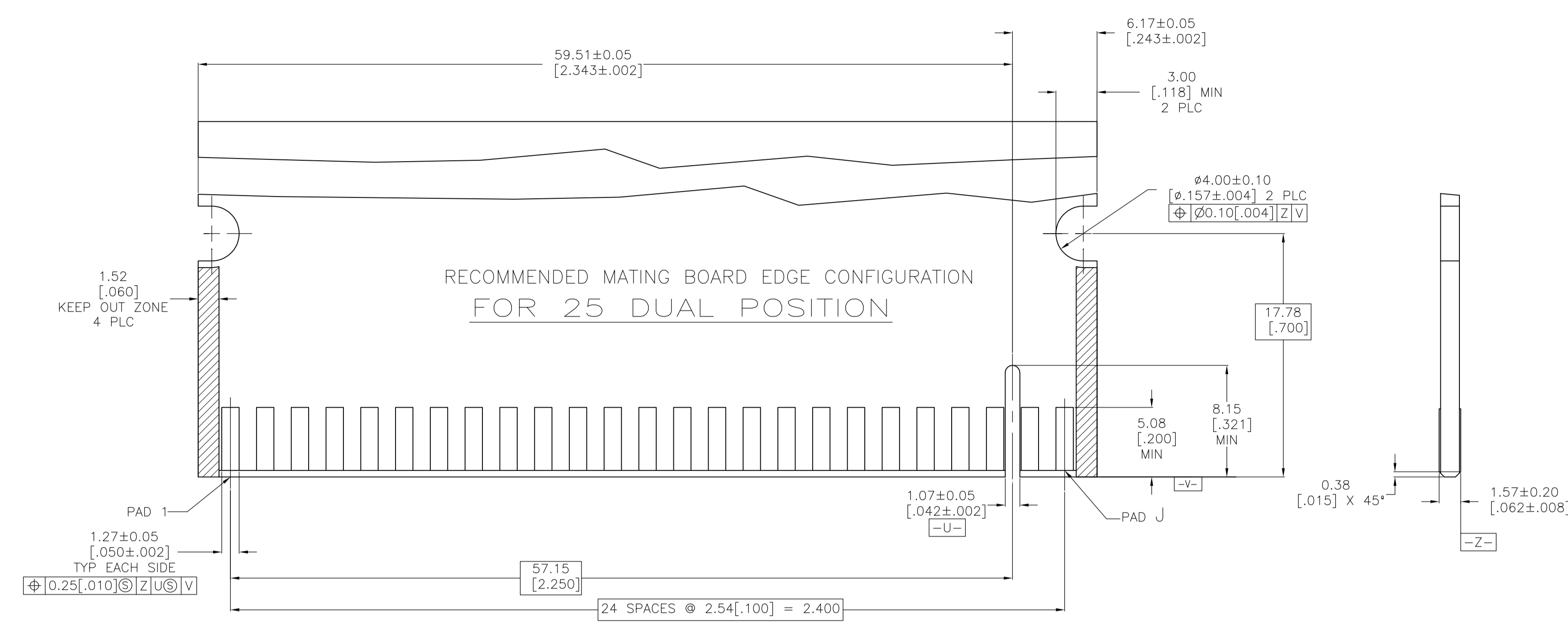
DIMENSIONS: mm [INCHES]	TOLERANCES UNLESS OTHERWISE SPECIFIED:	DRAWING NO	DATE
0 PLC ± -	1 PLC ± -	108-9039-1	04MAR2008
2 PLC ± 0.13[.005]	3 PLC ± -	114-13018	04MAR2008
4 PLC ± -	ANGLES ± 2°	00779	04MAR2008

AWF/L.A.MAYER
A.W.FRANTUM
S.FLICKINGER

Tyco Electronics Corporation
Harrisburg, PA 17105-3608

CONNECTOR ASSEMBLY,
STANDARD EDGE II, DUAL POSITION,
2.54[.100] CENTERLINE

SIZE: A1
SCALE: 5:1
SHEET: 1 OF 2
REV: B1



THIS DRAWING IS A CONTROLLED DOCUMENT.		DIN	Tyco Electronics Corporation	
DIMENSIONS: mm [INCHES]		AWF/L.A.MAYER	Harrisburg, PA 17105-3608	
TOLERANCES UNLESS OTHERWISE SPECIFIED:		AWF	Tyco Electronics	
0 PLC	±	S.FLICKINGER	CONNECTOR ASSEMBLY, STANDARD EDGE II, DUAL POSITION, 2.54[.100] CENTERLINE	
1 PLC	±	NAME	108-9039-1	
2 PLC	±	PRODUCT SPEC	114-13018	
3 PLC	± 0.13[.005]	APPLICATION SPEC	A1 00779 C=6489648	
4 PLC	±	SIZE	SCALE 5:1 SHEET 2 OF 2 REV B1	
ANGLES	± 2°	WEIGHT	CUSTOMER DRAWING	
MATERIAL	SEE NOTE 1	FINISH	RESTRICTED TO	
		FINISH		

单击下面可查看定价，库存，交付和生命周期等信息

[>>TE Connectivity\(泰科\)](#)