

CODE 30 - HEAT SHRINK BOOT BACKSHELL

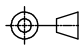


211M914-19C-D

SERIES _____
 SHELL SIZE (TABLE 1) _____
 MATERIAL _____
 REFER TO CH00-0250-004
 FINISH _____
 REFER TO CH00-0250-004
 MODIFICATION CODE _____
 REFER TO CH00-0250-004 (2)

NOTES:

1. THIS PRODUCT IS DESIGNED TO TERMINATE A HEAT SHRINKABLE LIPPED BOOT TO A CONNECTOR.
- (2) FOR ADDITIONAL DIMENSIONS, ORDERING INFORMATION AND MODIFICATIONS, SEE CH00-0250-004.
3. BACKSHELL TO BE PERMANENTLY MARKED/BAGGED AND LABELLED WITH CODE IDENTIFICATION NUMBER AND PART NUMBER. (e.g. 06090-211M914-19C).
- (4) KNURL INSIDE BOOT GROOVE MAY BE SUPPLIED AT MANUFACTURER'S OPTION.
5. BACKSHELL MATES TO MIL-C-28840, CLASS A, B, C, & E: M28840/10, /11, /14 & /16 CONNECTORS.

If this document is printed it becomes uncontrolled. Check for the latest revision

DRAWN	K.WINCZURA	DATE 07/05/2015	 3RD ANGLE PROJECTION NOT TO SCALE	TITLE: <h2 style="text-align: center;">HEAT SHRINK BOOT BACKSHELL</h2>	 Polamco  TE connectivity
CHECKED		07/05/2015		ASSY USED ON: MIL-C-28840, CLASS A, B, C, & E: M28840/10, /11, /14 & /16 CONNECTORS	
APPROVED	K.SHEPPARD	08/05/2015	UNLESS OTHERWISE SPECIFIED ALL DIMENSIONS IN MILLIMETRES GENERAL TOL LINEAR +/-0.25MM ANGULAR +/- 1°		
APPROVED	H.SMITH	24/06/2015			
REVISIONS					
LTR	DESCRIPTION	DATE	APPROVED		
F	REVISED PER ECN AD93049				
G	REVISED PER ECO-15-009385	24/06/2015	H.SMITH		
TE CAGE CODE: 06090 POLAMCO/TE CAGE CODE: U5792				TE CONNECTIVITY - POLAMCO LTD RESERVES THE RIGHT TO AMEND THIS DRAWING AND TO INDEP... SHOULD IN THEIR APPLICATION.	DRAWING NO: 211M9XX
				DRAWING REV:	SHT
				G	1

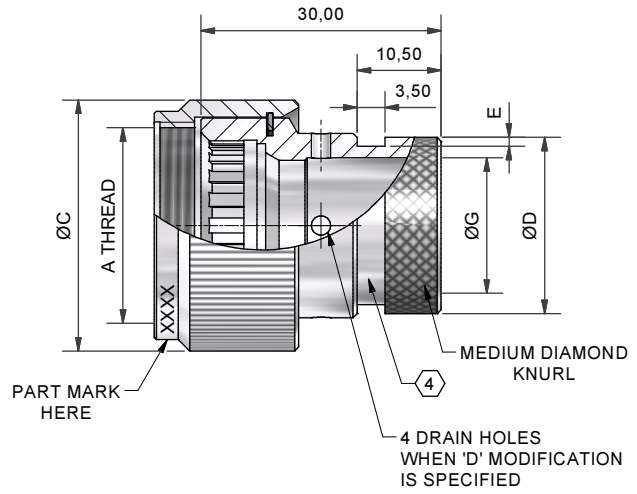
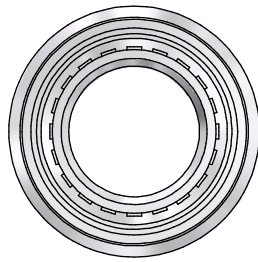


TABLE 1

BASE PART NUMBER	SHELL SIZE COM'L / MIL	A THREAD	ØC MAX	ØD MAX	E +0,20/-0,00	ØG MIN
211M912	13 / B	7/8 - 20UNEF	29,7	18,9	1,12	13,8
211M914	15 / C	1 - 20UNEF	31,3	22,0	1,12	16,9
211M916	17 / D	1 1/8 - 18 UNEF	35,5	24,1	1,12	19,0
211M918	19 / E	1 1/4 - 18UNEF	38,7	28,0	1,75	22,4
211M922	23 / F	1 7/16 -18UNEF	43,6	34,5	1,75	28,4
211M924	25 / G	1 9/16 -18UNEF	47,2	36,8	1,75	30,7
211M928	29 / H	1 7/8 - 16UN	55,2	42,9	1,75	36,8
211M932	33 / J	2 1/16 -16UN	60,5	47,9	2,20	41,7

If this document is printed it becomes uncontrolled. Check for the latest revision

DRAWN	K.WINCZURA	DATE	07/05/2015	 3RD ANGLE PROJECTION NOT TO SCALE UNLESS OTHERWISE SPECIFIED ALL DIMENSIONS IN MILLIMETRES GENERAL TOL LINEAR +/-0,25MM ANGULAR +/- 1°	TITLE:	 Polanco TE connectivity		
CHECKED		07/05/2015			HEAT SHRINK BOOT BACKSHELL ASSY USED ON: MIL-C-28840, CLASS A, B, C, & E: M28840/10, /11, /14 & /16 CONNECTORS			
APPROVED	K.SHEPPARD	08/05/2015						
APPROVED	H.SMITH	24/06/2015						
REVISIONS								
LTR	DESCRIPTION	DATE	APPROVED					
F	REVISED PER ECN AD93049							
G	REVISED PER ECO-15-009385	24/06/2015	H.SMITH					
TE CAGE CODE: 06090 POLAMCO/TE CAGE CODE: U5792					TE CONNECTIVITY - POLAMCO LTD RESERVES THE RIGHT TO AMEND THIS DRAWING AND TO INDEP	DRAWING NO: 211M9XX	DRAWING REV: G	SHT 2

单击下面可查看定价，库存，交付和生命周期等信息

[>>TE Connectivity\(泰科\)](#)