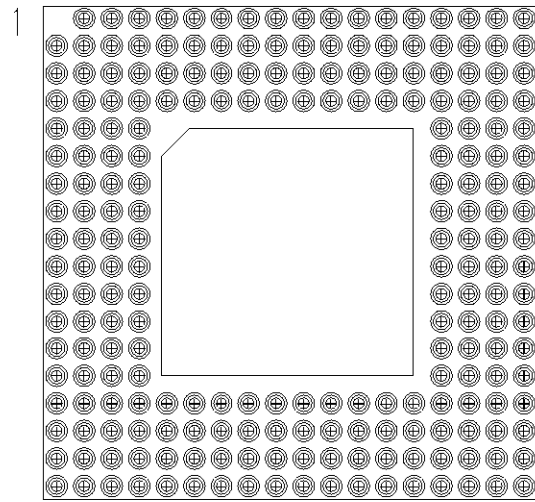
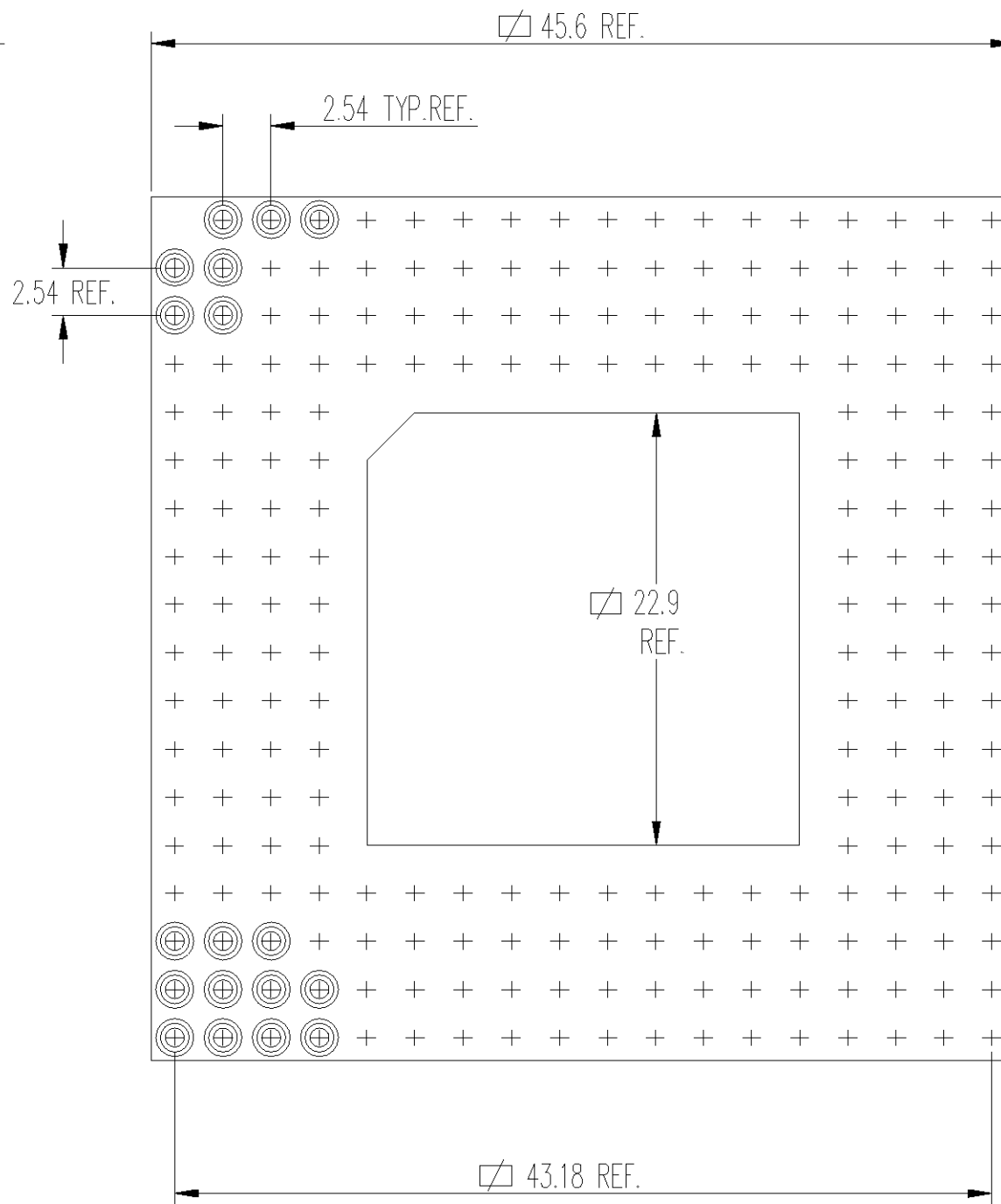
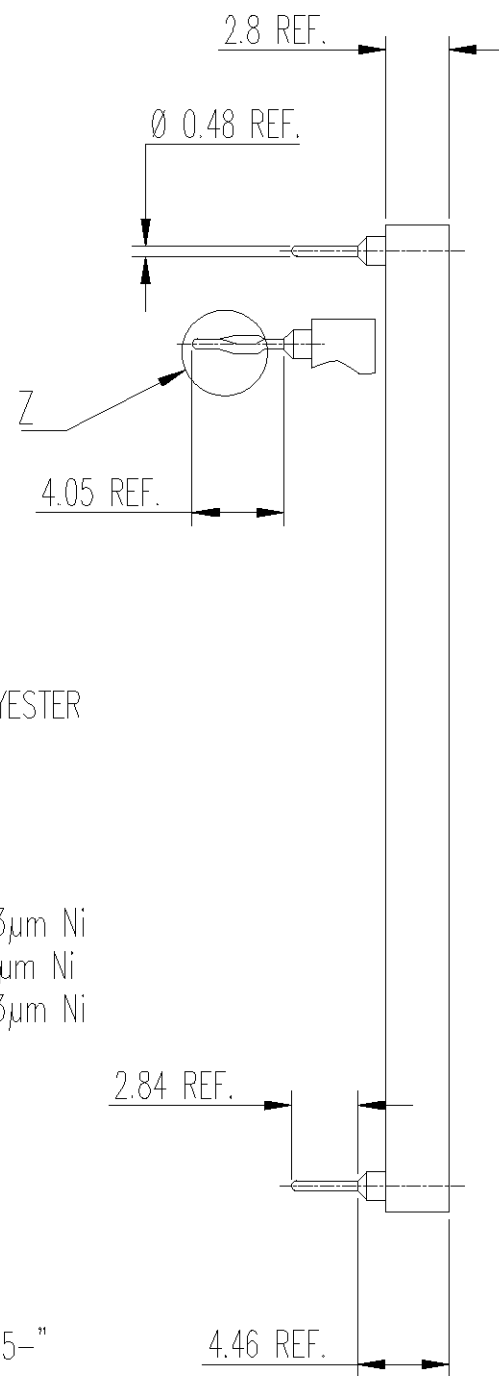


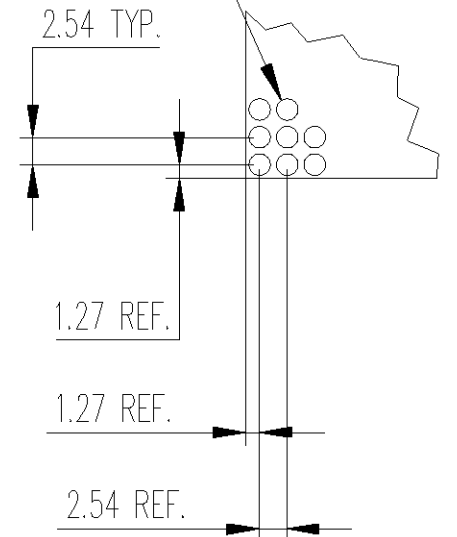
DRAWING NO
C - 210815



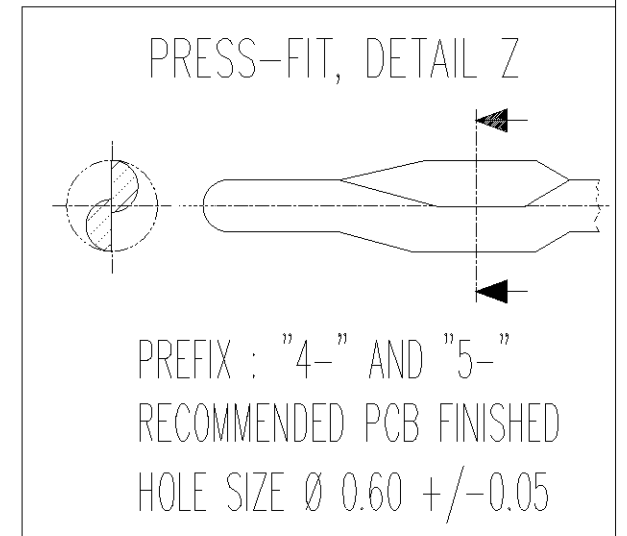
223 positions



Ø 0.8 TYP.
⊕ Ø 0.10 (M)



RECOMMENDED P.C.
BOARD PATTERN



NOTE :

- MATERIAL
 - INSULATOR : GLASSFILLED THERMOPLASTIC POLYESTER
 - SOLDER TAIL SLEEVE : BRASS
 - PRESS-FIT SLEEVE : PHOSPHOR BRONZE
 - CLIP : STAMPED BERYLLIUM COPPER
- SLEEVE PLATING:
 - PREFIX "0-" AND "2-": 5µm Sn/Pb OVER 2-3µm Ni
 - PREFIX "1-" AND "3-": 0.25µm Au OVER 2-3µm Ni
 - PREFIX "4-" AND "5-": 3µm Sn/Pb OVER 2-3µm Ni
- INNER CONTACT PLATING
 - SUFFIX "-1" 0.25µm 18c. Au
 - SUFFIX "-3" 0.75µm 18c. Au
 - SUFFIX "-4" 0.75µm 24c. Au
 - SUFFIX "-5" 5µm MIN. Sn/Pb **
 - SUFFIX "-6" 0.1µm FLASH 24c. Au

- ** ONLY WITH PREFIX "0-", "2-", "4-" AND "5-"
- INNER SPRING CONTACT ACCEPT Ø 0.40 TO 0.56 OR RECTANGULAR PIN 0.25 x 0.45
- INSERTION CHARACTERISTICS:
 - PREFIX "0-", "1-" AND "4-": VERY LOW FORCE
 - PREFIX "2-", "3-" AND "5-": ULTRA LOW FORCE
- MECHANICAL DATA WITH A Ø 0.43 TEST PIN :

	VLI	ULI
-MAX. INSERTION FORCE :	0.7N	0.2N
-MIN. EXTRACTION FORCE :	0.1N	0.05N
-MECHANICAL LIFE :	100 CYCLES MIN.	

WAS 700-223-1-18-0-CC AND CCAP

DIMENSIONS	mm									DRAWN P.-A. MEIER 01 APR 98	THIS INFORMATION IS CONFIDENTIAL AND IS DISCLOSED TO YOU ON CONDITION THAT NO FUTHER DISCLOSURE IS MADE BY YOU TO OTHER THAN AMP PERSONNEL WITHOUT WRITTEN AUTHORIZATION FROM DSM SWITZERLAND.				
										CHECKED A. BOLIS 02 APR 98					
SURFACE TEXTURE	N7 (✓)									APPROVED BOLIS A 06 JUN 02					
CONCENTRICITY	0.15									CUSTOMER DRAWING	NAME OPEN FRAME PGA				
PRODUCT SPEC.		P	REV	ECN	DRWN	DATE	APVD			FOR REFERENCE ONLY	18 x 18, 223 SOCKETS				
DSM DECOLLETAGE SA SAINT-MAURICE CH 1890 SAINT-MAURICE (VS)										LOC EK	SCALE 2/1	SIZE A4	DRAWING NO C - 210815	SHEET 1 of 1	REVISION 01

单击下面可查看定价，库存，交付和生命周期等信息

[>>TE Connectivity\(泰科\)](#)